

MIG/MAG fume extraction torches "RAB GRIP"

Air and liquid cooled

Every welding job generates fumes and smoke that could be hazardous if inhaled. Based on the well-established torch series "MB" the RAB GRIP Fume Extraction Torches offer efficient fume extraction through the torch itself. Special design solutions guarantee highly efficient smoke removal directly at its source without affecting the protective gas shield.

- Direct extraction at the arc – ensures protection of the welder's respiratory system
- Problem free installation in all existing MIG/MAG work stations
- Small extraction tube diameter – better accessibility
- Aluminium extraction tube – considerable weight saving



- Handle with extraction control and swivel joint – optimized handling
- Smaller diameter extraction hoses for all types – lower handling weight, optimum flexibility
- Considerable weight reduction of air cooled torches due to the innovative ABICOR BINZEL Low-Weight Bikox®



Suction nozzle with spring clip, feed air slide below*

| Torch complete Type | Connection | Part-No. | | |
|------------------------|-------------------------|------------|------------|------------|
| | | 3 m | 4 m | 5 m |
| RAB GRIP 15 AK | Central connection KZ-2 | 602.3001.1 | 602.3002.1 | 602.3003.1 |
| RAB GRIP 24 KD | Central connection KZ-2 | 612.3001.1 | 612.3002.1 | 612.3003.1 |
| RAB GRIP 25 AK | Central connection KZ-2 | 604.3001.1 | 604.3002.1 | 604.3003.1 |
| RAB GRIP 36 KD | Central connection KZ-2 | 614.3001.1 | 614.3002.1 | 614.3003.1 |
| RAB GRIP 240 D | Central connection WZ-2 | 623.3003.1 | 623.3004.1 | 623.3005.1 |
| RAB GRIP 501 | Central connection WZ-2 | 632.3003.1 | 632.3004.1 | 632.3005.1 |
| RAB GRIP 501 D | Central connection WZ-2 | 634.3003.1 | 634.3004.1 | 634.3005.1 |

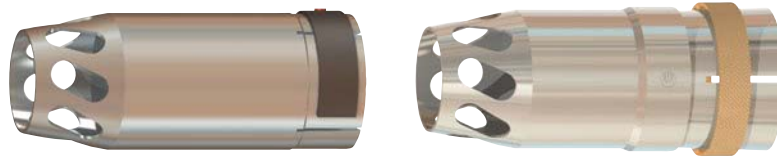
*Module solutions on demand.



Suction nozzle with Quicklock, feed air slide on top

| Torch complete Type | Connection | Part-No. | | |
|------------------------|-------------------------|------------|------------|------------|
| | | 3 m | 4 m | 5 m |
| RAB GRIP 15 AK | Central connection KZ-2 | 602.3008.1 | 602.3009.1 | 602.3010.1 |
| RAB GRIP 24 KD | Central connection KZ-2 | 612.3007.1 | 612.3008.1 | 612.3009.1 |
| RAB GRIP 25 AK | Central connection KZ-2 | 604.3007.1 | 604.3008.1 | 604.3009.1 |
| RAB GRIP 36 KD | Central connection KZ-2 | 614.3007.1 | 614.3008.1 | 614.3009.1 |
| RAB GRIP 240 D | Central connection WZ-2 | 623.3011.1 | 623.3012.1 | 623.3013.1 |
| RAB GRIP 501 | Central connection WZ-2 | 632.3015.1 | 632.3016.1 | 632.3017.1 |
| RAB GRIP 501 D | Central connection WZ-2 | 634.3030.1 | 634.3031.1 | 634.3032.1 |

RAB GRIP specific wear parts



| Type | Suction nozzle spring clip | Suction nozzle Quicklock |
|----------------|----------------------------|--------------------------|
| RAB GRIP 15 AK | 600.2047.1 | 600.3017.1 |
| RAB GRIP 24 KD | 600.2045.1 | 600.3018.1 |
| RAB GRIP 25 AK | 600.2046.1 | 600.3019.1 |
| RAB GRIP 36 KD | 600.2044.1 | 600.3009.1 |
| RAB GRIP 240 D | 600.2045.1 | 600.3018.1 |
| RAB GRIP 501 | 600.2044.1 | 600.3009.1 |
| RAB GRIP 501 D | 600.2044.1 | 600.3009.1 |

Replacement spring clip for the fixation of the suction nozzle on request.
Suction funnel (replaces the suction nozzle) on request.

| Type | Swan neck | Outer neck | Gas nozzle holder |
|----------------|------------|------------|-------------------|
| RAB GRIP 15 AK | 602.3004.1 | 600.3007.1 | 902.0007 |
| RAB GRIP 24 KD | 612.2001 | 600.2002 | - |
| RAB GRIP 25 AK | 604.2001 | 600.3007.1 | - |
| RAB GRIP 36 KD | 614.2001 | 600.2002 | - |
| RAB GRIP 240 D | 623.3001.1 | 600.2002 | - |
| RAB GRIP 501 | 632.3001.1 | 632.2009 | - |
| RAB GRIP 501 D | 634.3001.1 | 600.2002 | - |

The wear parts - contact tip, gas nozzle, gas diffuser, contact tip holder, neck liner or liner - are identical with those of the manual welding torches of same size.

Technical Data

| Type | Cooling | Rating | | Duty cycle (%) | Wire size (mm) |
|----------------|---------|-----------------|---------------|----------------|----------------|
| | | CO ₂ | Mixed gas M21 | | |
| RAB GRIP 15 AK | air | 180 A | 150 A | 60 | 0.6-1.0 |
| RAB GRIP 24 KD | air | 250 A | 220 A | 60 | 0.8-1.2 |
| RAB GRIP 25 AK | air | 230 A | 200 A | 60 | 0.8-1.2 |
| RAB GRIP 36 KD | air | 300 A | 270 A | 60 | 0.8-1.2 |
| RAB GRIP 240 D | liquid | 300 A | 270 A | 100 | 0.8-1.2 |
| RAB GRIP 501 | liquid | 550 A | 500 A | 100 | 1.0-1.6 |
| RAB GRIP 501 D | liquid | 500 A | 450 A | 100 | 1.0-1.6 |

Note for liquid cooled torches:

To protect cable assembly components from excessive heat build up we recommend a post welding cooling cycle of at least four minutes.

MIG/MAG Fume Extraction Torches in action ...



MIG/MAG **without** fume extraction



RAB GRIP **with** fume extraction

Bikox[®], control cables, hoses and liners

I. Cable assemblies air cooled

| Type | Bikox [®] | Cable assembly length | | | |
|-----------------------|--------------------|-----------------------|------------|------------|----------|
| | | 3 m | 4 m | 5 m | 8 m |
| MB EVO PRO 15 | R18 / LW | 160.H025.1 | 160.H026.1 | 160.H027.1 | - |
| MB EVO PRO 24 | R37 / LW | 160.1330.1 | 160.1331.1 | 160.1332.1 | - |
| MB EVO PRO 25 | R28 / LW | 160.H032.1 | 160.H033.1 | 160.H034.1 | - |
| MB EVO PRO 26 | R42 / LW | 160.H039.1 | 160.H040.1 | 160.H041.1 | - |
| MB EVO PRO 36 | R53 / LW | 160.H046.1 | 160.H047.1 | 160.H048.1 | - |
| MB EVO 15 | R10 | 160.1291.1 | 160.1292.1 | 160.1293.1 | - |
| MB EVO 24 | R25 | 160.D427 | 160.D428 | 160.D429 | - |
| MB EVO 25 | R20 | 160.1294.1 | 160.1295.1 | 160.1296.1 | - |
| MB EVO 26 | R30 | 160.1305.1 | 160.1306.1 | 160.1307.1 | - |
| MB EVO 36 | R30 | 160.1308.1 | 160.1309.1 | 160.1310.1 | - |
| MB GRIP 15 AK | R4 / Typ 16 | 160.D520 | 160.D521 | 160.D522 | - |
| MB GRIP 24 KD / 26 KD | R6 / Typ 35 | 160.D430 | 160.D431 | 160.D432 | - |
| MB GRIP 25 AK | R5 / Typ 25 | 160.D427 | 160.D428 | 160.D429 | - |
| MB GRIP 36 KD | R7 / Typ 50 | 160.D434 | 160.D435 | 160.D436 | - |
| RAB GRIP 15 | R4 / LW | 160.H025.1 | 160.H026.1 | 160.H027.1 | - |
| RAB GRIP 25 | R5 / LW | 160.H032.1 | 160.H033.1 | 160.H034.1 | - |
| RAB GRIP 24 | R6 / LW | 160.H039.1 | 160.H040.1 | 160.H041.1 | - |
| RAB GRIP 36 | R7 / LW | 160.H046.1 | 160.H047.1 | 160.H048.1 | - |
| Push-Pull Plus 36 D | Type 35 | - | - | - | 118.0074 |

II. Cable assemblies liquid cooled

| Type | Description | Cable assembly length | | | | per m |
|--------------------------------|---------------------------------|-----------------------|------------|------------|----------|----------|
| | | 3 m | 4 m | 5 m | 8 m | |
| MB EVO PRO 240 / 401 / 501 | Power cable FRH | 115.0830.1 | 115.0831.1 | 115.0832.1 | - | - |
| MB EVO 240 / 401 / 501 | Power cable PVC | 115.0833.1 | 115.0834.1 | 115.0835.1 | - | - |
| MB GRIP 240 / 401 / 501 | Power cable FRH | 115.0065 | 115.0070 | 115.0074 | - | - |
| ABIMIG [®] GRIP W 555 | Power cable PVC | 115.0581 | 115.0582 | 115.0583 | - | - |
| RAB GRIP 240 / 501 | Power cable PVC | 115.0581 | 115.0582 | 115.0583 | - | - |
| Push-Pull Plus 240 / 401 | Power cable PVC | - | - | - | 115.0043 | - |
| MB EVO PRO 240 / 401 / 501 | Wire conduit/gas hose | 154.0017.1 | 154.0018.1 | 154.0019.1 | - | - |
| MB EVO 240 / 401 / 501 | Wire conduit/gas hose | 154.0017.1 | 154.0018.1 | 154.0019.1 | - | - |
| MB GRIP 240 / 401 / 501 | Wire conduit | 156.0275 | 156.0276 | 156.0277 | - | - |
| ABIMIG [®] GRIP W 555 | Wire conduit | 156.0275 | 156.0276 | 156.0277 | - | - |
| RAB GRIP 240 / 501 | Wire conduit | 154.0002 | 154.0003 | 154.0004 | - | - |
| Push-Pull Plus 240 / 401 | Wire conduit | - | - | - | 156.0273 | - |
| MB EVO PRO 240 / 401 / 501 | Water hose black FRH; Ø 5.5x1.5 | - | - | - | - | 109.0052 |
| MB EVO 240 / 401 / 501 | Water hose blue PVC; Ø 5.5x1.5 | - | - | - | - | 109.0057 |
| MB EVO 240 / 401 / 501 | Water hose red PVC; Ø 5.5x1.5 | - | - | - | - | 109.0056 |
| MB GRIP 240 / 401 / 501 | Water hose black FRH | - | - | - | - | 109.0052 |
| ABIMIG [®] GRIP W 555 | Water hose blue PVC | - | - | - | - | 109.0057 |
| ABIMIG [®] GRIP W 555 | Water hose red PVC | - | - | - | - | 109.0056 |
| RAB GRIP 240 / 501 | Water hose blue PVC | - | - | - | - | 109.0057 |
| RAB GRIP 240 / 501 | Water hose red PVC | - | - | - | - | 109.0056 |
| Push-Pull Plus 240 / 401 | Water hose blue PVC | - | - | - | - | 109.0057 |
| Push-Pull Plus 240 / 401 | Water hose red PVC | - | - | - | - | 109.0056 |

II. Cable assemblies liquid cooled

| Type | Description | Cable assembly length | | | | |
|--------------------------|----------------------|-----------------------|-----|-----|-----|----------|
| | | 3 m | 4 m | 5 m | 8 m | per m |
| MB GRIP 240 / 401 / 501 | Gas hose | - | - | - | - | 109.0040 |
| ABIMIG® GRIP W 555 | Gas hose | - | - | - | - | 109.0040 |
| RAB GRIP 240 / 501 | Gas hose | - | - | - | - | 109.0040 |
| Push-Pull Plus 240 / 401 | Gas hose | - | - | - | - | 109.0040 |
| All torches | Control cable 2-pole | - | - | - | - | 100.0019 |

III. Outer and suction hose

| Type | Description | Cable assembly length | | | | |
|-------------------------------|---|-----------------------|------------|------------|----------|--|
| | | 3 m | 4 m | 5 m | per m | |
| MB EVO PRO 240 / 401 / 501 | Outer hose 25x1.5 (with bend protection) | 107.0109.1 | 107.0110.1 | 107.0111.1 | 107.0004 | |
| MB EVO 240 / 401 / 501 | Outer hose 25x1.5 (with bend protection) | 107.0109.1 | 107.0110.1 | 107.0111.1 | 107.0004 | |
| MB GRIP 240 / 401 / 501 | Outer hose 25x1.5 | 107.0079 | 107.0044 | 107.0080 | 107.0004 | |
| ABIMIG® GRIP W 555 | Outer hose 25x1.5 | - | - | - | 107.0004 | |
| RAB GRIP 15 / 24 / 25 / 36 | Outer hose LW 32 | - | - | - | 109.0043 | |
| RAB GRIP 240 / 501 | Outer hose LW 38 | - | - | - | 109.0044 | |
| Push-Pull Plus 36 / 240 / 401 | Outer hose 25x1.5 | - | - | - | 107.0004 | |

IV. Hose clamps, quick connector and Marking washer

| Type | Pcs. | Part-No. | for hose | | | |
|--|------|-------------|----------|----------|----------|----------|
| | | | 109.0040 | 109.0052 | 109.0056 | 109.0057 |
| Hose clamp D=9.5 infinitely; MB EVO PRO / MB EVO | 20 | 173.0015.20 | | • | • | • |
| Hose clamp Ø=8.7 | 100 | 171.0002 | • | | | |
| Hose clamp Ø=9.0 with ring (mark. 9.5) | 100 | 173.0001 | | | • | • |
| Hose clamp Ø=9.5 with ring (mark. 10.0) | 100 | 173.0002 | | • | | |
| Quick connector ND 5 / Ø=6.0 | 20 | 501.0114 | | • | • | • |
| Marking washer red | 20 | 501.2166 | | • | | |
| Marking washer blue | 20 | 501.2167 | | • | | |
| Fastener cap red | 20 | 501.2423 | | • | • | |
| Fastener cap blue | 20 | 501.2424 | | • | | • |

V. Combined wire guides

| Type | for wire size | for 3 m | for 4 m | for 5 m | for 8 m |
|---------------------|---------------|----------|----------|----------|---------|
| PTFE / Brass | 0.8 | 126.M002 | 126.M003 | 126.M004 | - |
| PTFE / Brass | 1.0-1.2 | 126.M006 | 126.M007 | 126.M008 | - |
| PTFE / Brass | 1.6 | 126.M009 | 126.M010 | 126.M011 | - |
| Carbon-PTFE / Brass | 0.8 | 127.M002 | 127.M003 | 127.M004 | - |
| Carbon-PTFE / Brass | 1.0-1.2 | 127.M006 | 127.M007 | 127.M008 | - |
| PA / Brass | 1.0-1.2 | 128.M002 | 128.M003 | 128.M004 | - |

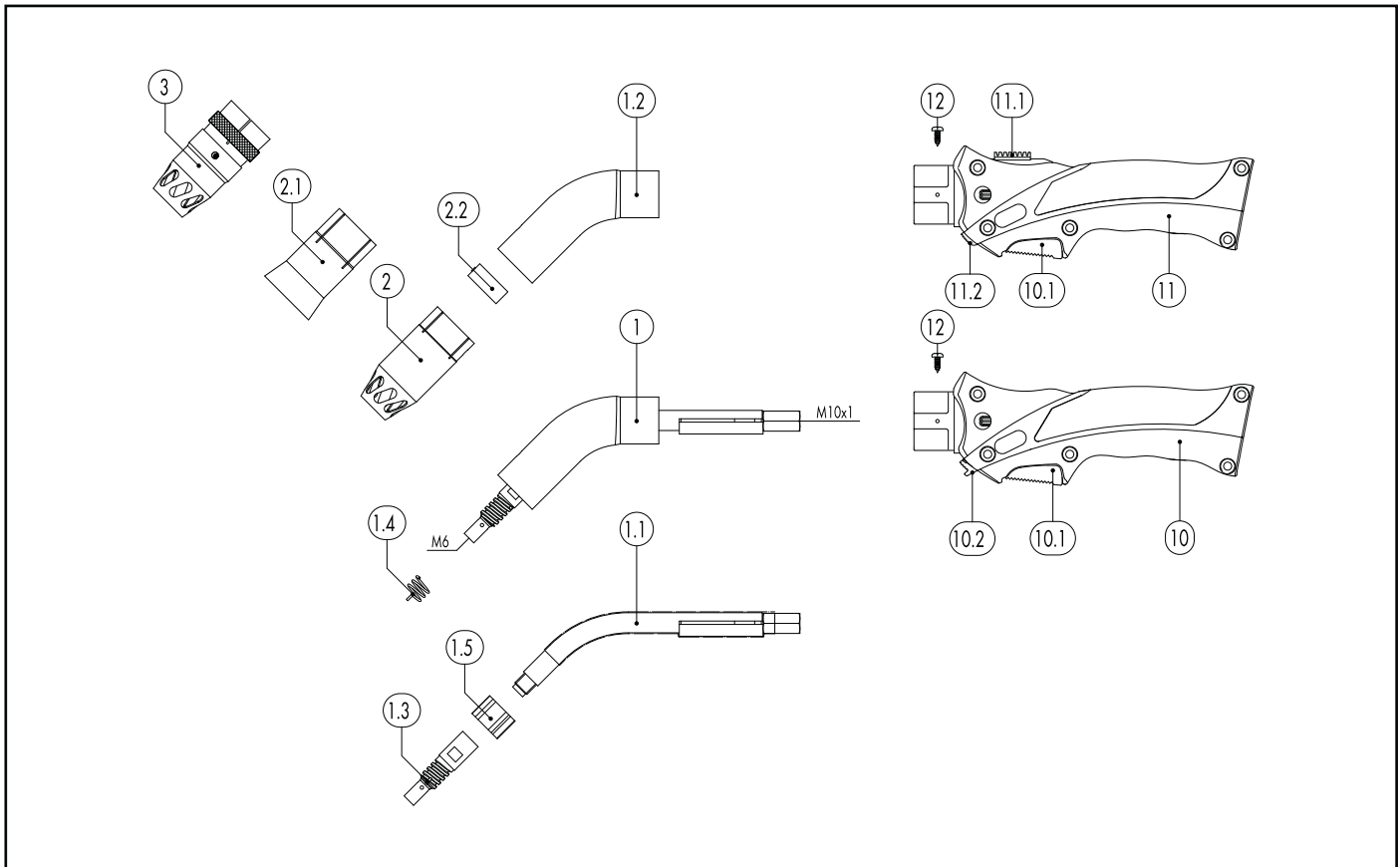
VI. Liner for special wire

| Liner | Color | Ø inside / outside | for wire size | for 3 m | for 4 m | for 5 m | for 8 m |
|----------------------------|-------|--------------------|---------------|------------|------------|------------|----------|
| PA liner | grey | 2.0 / 4.0 | 1.0-1.2 | 128.0012 | 128.0015 | 128.0016 | 128.0019 |
| PA liner | grey | 2.3 / 4.7 | 1.6 | 128.0020 | 128.0021 | 128.0030 | 128.0023 |
| PA liner | grey | 2.9 / 4.7 | 2.4 | 128.0024 | 128.0025 | 128.0027 | 128.0032 |
| PA liner with inlet-tip | grey | 2.3 / 4.7 | 1.2-1.6 | 128.0058.1 | 128.0059.1 | 128.0060.1 | - |

VII. BPL liner

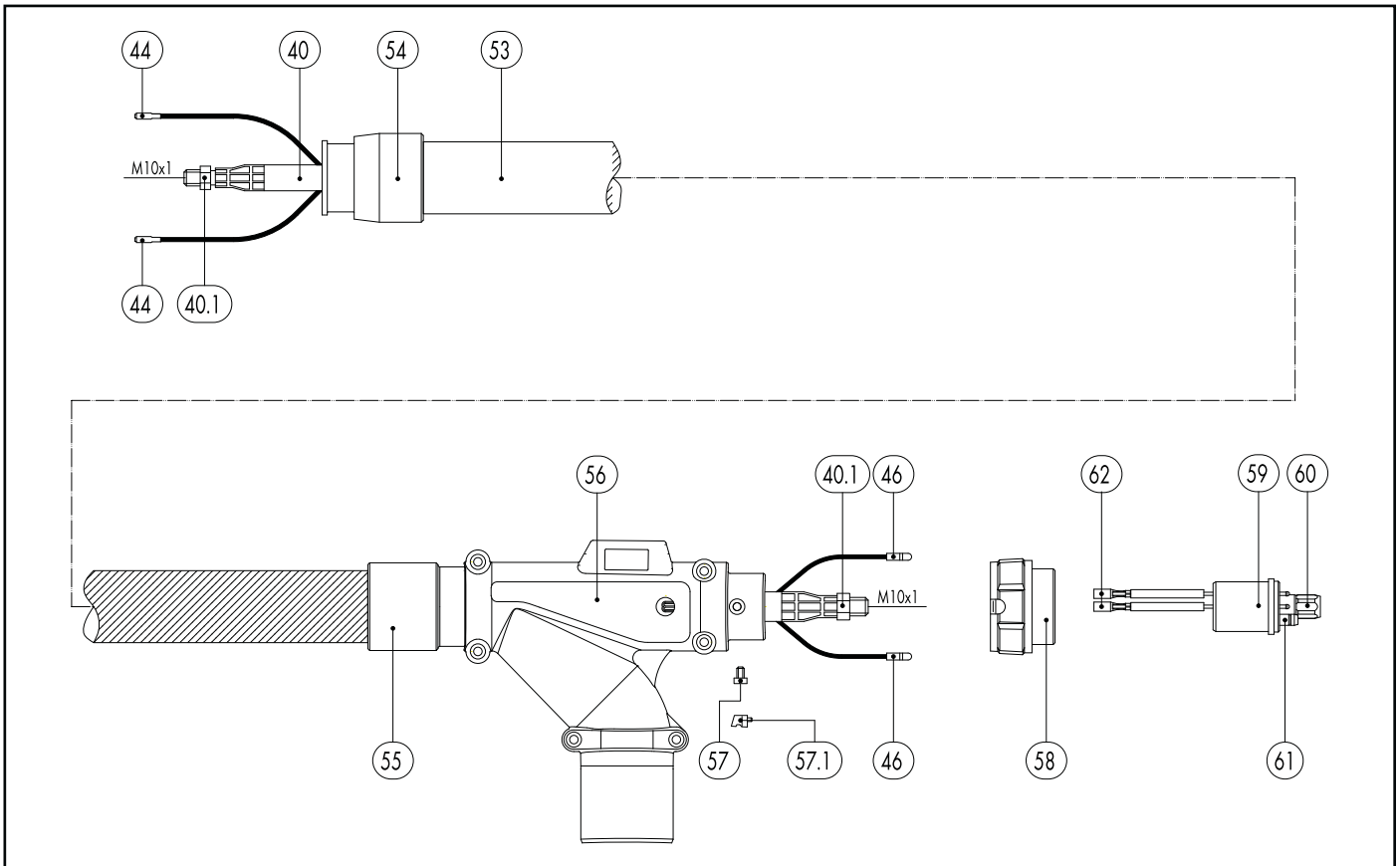
| Liner | Color | Ø inside / outside | for wire size | for 3 m | for 4 m | for 5 m | for 8 m |
|-----------------------------|--------|--------------------|---------------|----------|----------|----------|---------|
| BPL liner with inlet-tip | orange | 2.0 / 4.7 | 0.8-1.2 | 126.0069 | 126.0070 | 126.0071 | - |
| BPL liner with inlet-tip | petrol | 2.7 / 4.7 | 1.6 | 126.0072 | 126.0073 | 126.0074 | - |

MIG/MAG Fume Extraction Torches RAB GRIP 15 AK



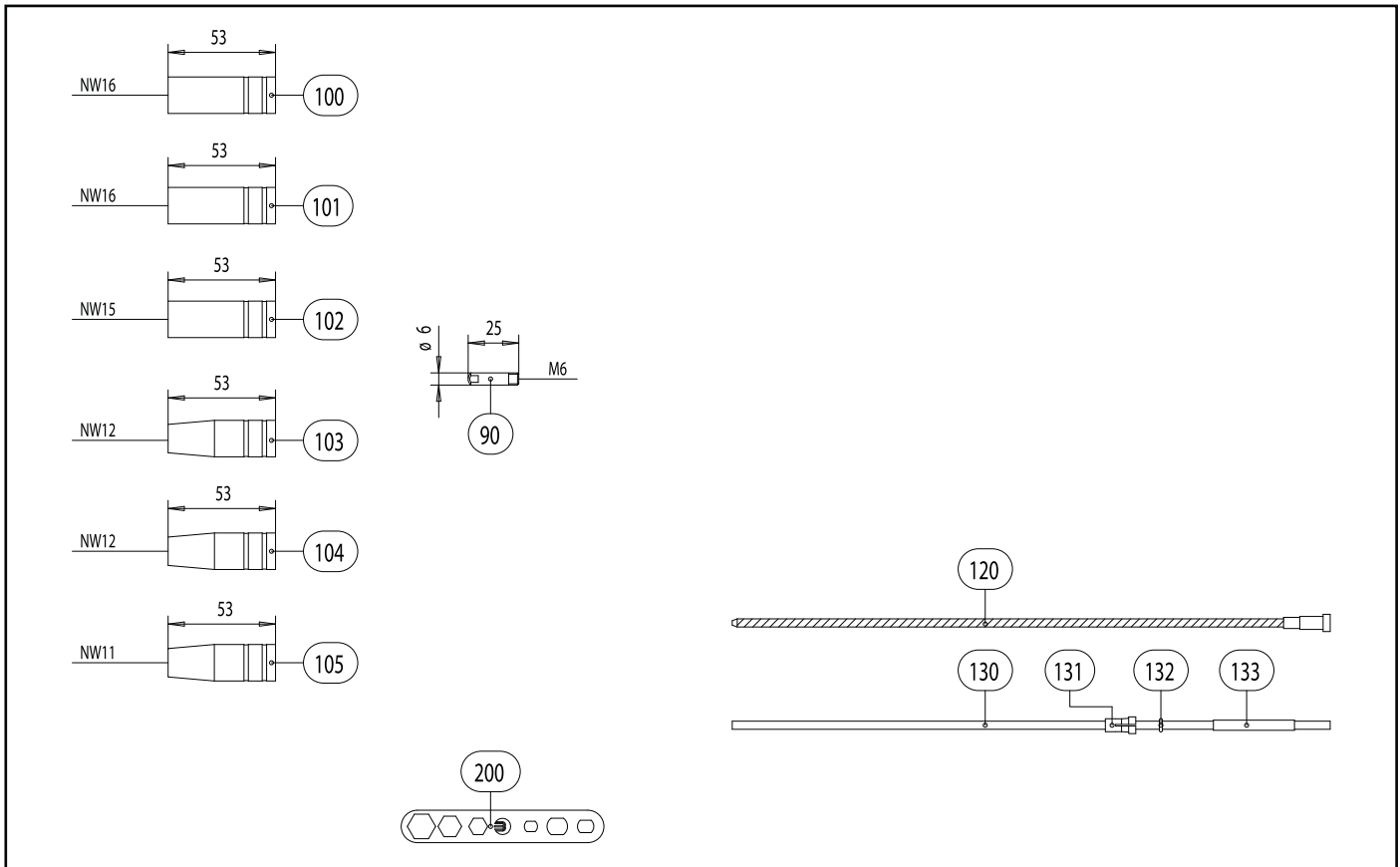
| Pos. | Description | Units | Part-No. | Product-group |
|--|--|----------|-------------|---------------|
| Torch (Suction nozzle with spring clip, feed air slide below) | | | | |
| | RAB GRIP 15 AK; central adaptor KZ-2; 3.00 m | | 602.3001.1 | 1620 |
| | RAB GRIP 15 AK; central adaptor KZ-2; 4.00 m | | 602.3002.1 | 1620 |
| | RAB GRIP 15 AK; central adaptor KZ-2; 5.00 m | | 602.3003.1 | 1620 |
| Torch (Suction nozzle with Quicklock, feed air slide on top) | | | | |
| | RAB GRIP 15 AK Quicklock; central adaptor KZ-2; 3.00 m | | 602.3008.1 | 1620 |
| | RAB GRIP 15 AK Quicklock; central adaptor KZ-2; 4.00 m | | 602.3009.1 | 1620 |
| | RAB GRIP 15 AK Quicklock; central adaptor KZ-2; 5.00 m | | 602.3010.1 | 1620 |
| Swan neck | | | | |
| 1 | Swan neck RAB GRIP 15 AK; 45° gebogen | | 602.3004.1 | 1007 |
| 1.1 | Inner neck; 45° bent | | 602.2002 | 1095 |
| 1.2 | Outer neck | | 600.3007.1 | 1095 |
| 1.3 | Gas nozzle holder AUT 15 AK | 10 Pcs. | 902.0007 | 1095 |
| 1.4 | Nozzle spring | 100 Pcs. | 002.0058 | 1095 |
| 1.5 | Insulating part | | 602.2003 | 1095 |
| Fume shroud | | | | |
| 2 | Fume shroud with spring clip (type 15) | | 600.2047.1 | 1602 |
| 2.1 | Fume shroud (funnel) | | 602.0040 | 1602 |
| 2.2 | Spring clip | | 600.2037 | 1095 |
| 3 | Fume shroud with Quicklock (type 15) | | 600.3017.1 | 1602 |
| Handle RAB GRIP standard | | | | |
| 10 | Handle RAB GRIP Standard (feed air slide below) | | 180.0138.1 | 1095 |
| 10.1 | Trigger 2-pole GRIP | | 185.0101 | 9010 |
| 10.2 | | 10 Pcs. | 400.1452.10 | 9010 |
| Handle RAB GRIP ZO | | | | |
| 11 | Handle RAB GRIP ZO (feed air slide on top) | | 180.0144.1 | 1095 |

MIG/MAG Fume Extraction Torches RAB GRIP 15 AK



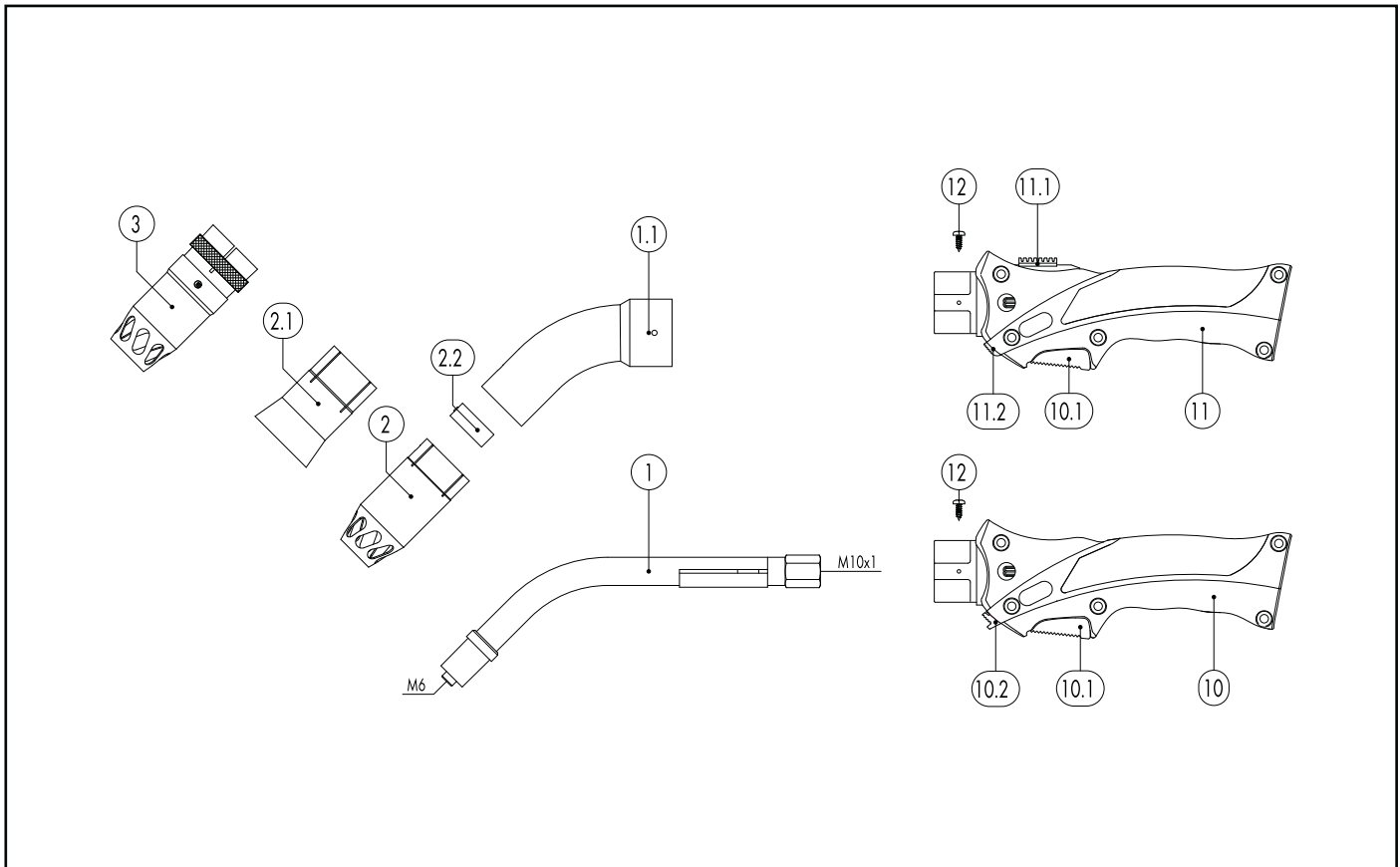
| Pos. | Description | Units | Part-No. | Product-group |
|------|--|---------|-------------|---------------|
| 11.1 | | | 400.1631.1 | 1095 |
| 11.2 | | 10 Pcs. | 400.1496.10 | 1095 |
| | Cable assembly | | | |
| 40 | Bikox® LW-power cable, R4 for 3.00 m | | 160.H025.1 | 1511 |
| 40 | Bikox® LW-power cable, R4 for 4.00 m | | 160.H026.1 | 1511 |
| 40 | Bikox® LW-power cable, R4 for 5.00 m | | 160.H027.1 | 1511 |
| 40.1 | Hexagon nut M10x1 | 10 Pcs. | 001.0009 | 9010 |
| 44 | Trigger wire connector | 20 Pcs. | 175.0022 | 9010 |
| 46 | Plug | 20 Pcs. | 175.0004 | 9010 |
| 53 | Hose 33 black LW 32 R | 30 m | 109.0043 | 4050 |
| 54 | Connector RAB GRIP 15 / 24 / 25 / 36 | | 600.2008 | 1095 |
| 55 | | | 600.3005.1 | 1095 |
| 56 | | | 501.2591.1 | 1095 |
| 57 | Pan head screw M4x6 | 20 Pcs. | 000.0552 | 9010 |
| 57.1 | Screw cap 1 | 20 Pcs. | 500.0251 | 9010 |
| 58 | Adaptor nut M33x2 | | 500.0213 | 9010 |
| 59 | Central adaptor KZ-2 | | 501.0003 | 1095 |
| 60 | Coupling nut M10x1 | 10 Pcs. | 501.0082 | 9010 |
| 61 | O-Ring 4x1 | 20 Pcs. | 165.0002 | 9010 |
| 62 | Trigger wire connector; female | 20 Pcs. | 175.0003 | 9010 |
| | Wear parts | | | |
| 90 | Contact tip M6 E-Cu; Ø 0.8 (6x25) | 10 Pcs. | 140.0059 | 1030 |
| 90 | Contact tip M6 E-Cu; Ø 1.0 (6x25) | 10 Pcs. | 140.0253 | 1030 |
| 90 | Contact tip M6 CuCrZr; Ø 0.8 (6x25) | 10 Pcs. | 140.0062 | 1031 |
| 90 | Contact tip M6 CuCrZr; Ø 1.0 (6x25) | 10 Pcs. | 140.0256 | 1031 |
| 90 | Contact tip M6 E-Cu; Ø 0.8 for alu wire (6x25) | 10 Pcs. | 141.0002 | 1030 |

MIG/MAG Fume Extraction Torches RAB GRIP 15 AK



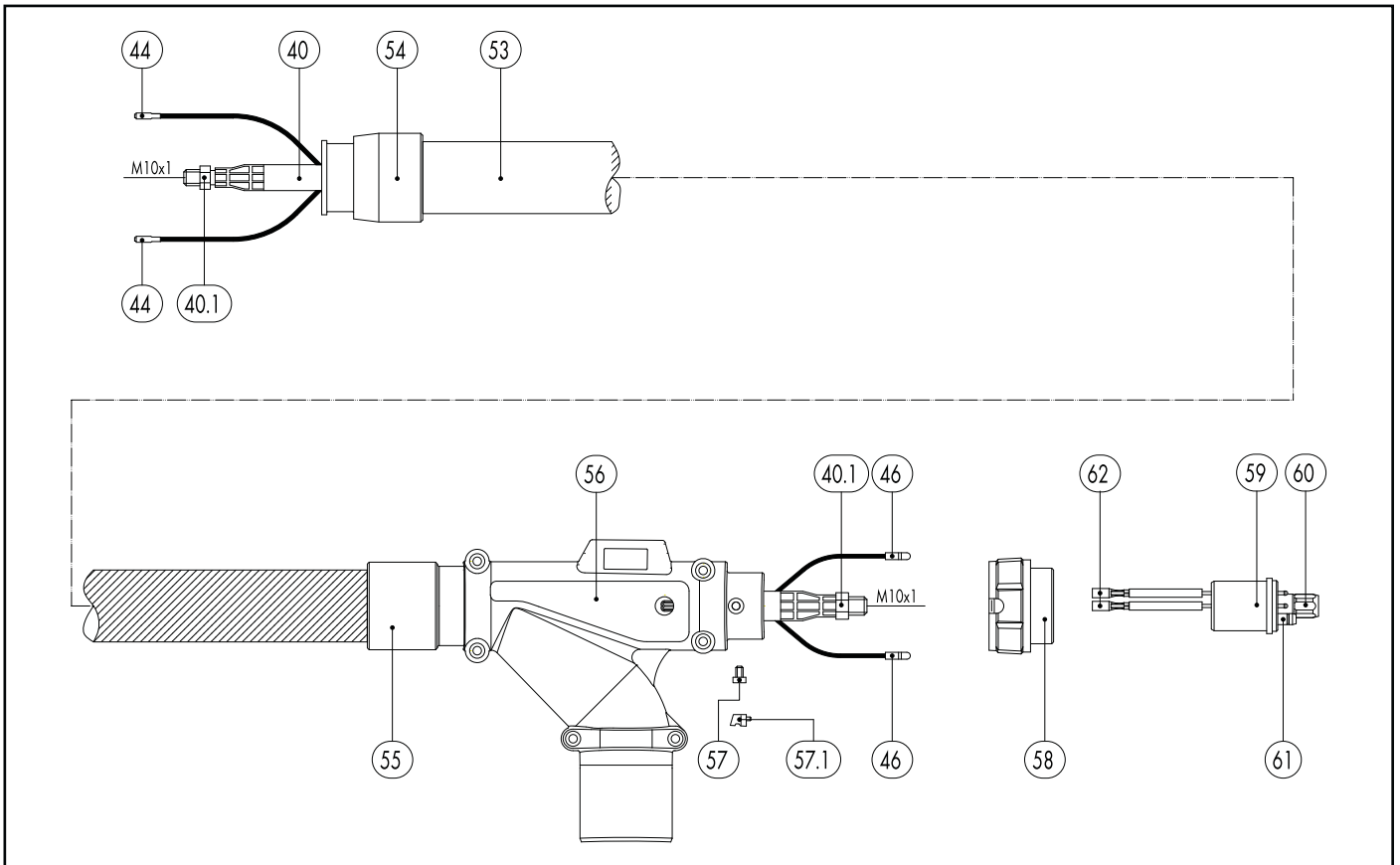
| Pos. | Description | Units | Part-No. | Product-group |
|------|---|---------|----------|---------------|
| 90 | Contact tip M6 E-Cu; Ø 1.0 for alu wire (6x25) | 10 Pcs. | 141.0007 | 1030 |
| 90 | Contact tip M6 CuCrZr silver-plated; Ø 0.8 (6x25) | 10 Pcs. | 147.0062 | 1031 |
| 90 | Contact tip M6 CuCrZr silver-plated; Ø 1.0 (6x25) | 10 Pcs. | 147.0256 | 1031 |
| 100 | Gas nozzle; cylindrical; ND Ø 16.0 | 10 Pcs. | 145.0041 | 1036 |
| 101 | Gas nozzle; cylindrical with extended insulation; ND Ø 16.0 | 10 Pcs. | 145.0067 | 1036 |
| 102 | Gas nozzle; cylindrical; heavy duty; ND Ø 15.0 | 10 Pcs. | 145.0072 | 1036 |
| 103 | Gas nozzle; conical; ND Ø 12.0 | 10 Pcs. | 145.0075 | 1036 |
| 104 | Gas nozzle; conical; with extended insulation; ND Ø 12.0 | 10 Pcs. | 145.0107 | 1036 |
| 105 | Gas nozzle; conical; heavy duty; ND Ø 11.0 | 10 Pcs. | 145.0116 | 1036 |
| 120 | Guide spiral liner insulated; 1.5/4.5; blue; for wire Ø 0.6 - 0.8; for 3.00 m | | 124.0011 | 1034 |
| 120 | Guide spiral liner insulated; 1.5/4.5; blue; for wire Ø 0.6 - 0.8; for 4.00 m | | 124.0012 | 1034 |
| 120 | Guide spiral liner insulated; 1.5/4.5; blue; for wire Ø 0.6 - 0.8; for 5.00 m | | 124.0015 | 1034 |
| 120 | Guide spiral liner insulated; 2.0/4.5; red; for wire Ø 1.0 - 1.2; for 3.00 m | | 124.0026 | 1034 |
| 120 | Guide spiral liner insulated; 2.0/4.5; red; for wire Ø 1.0 - 1.2; for 4.00 m | | 124.0031 | 1034 |
| 120 | Guide spiral liner insulated; 2.0/4.5; red; for wire Ø 1.0 - 1.2; for 5.00 m | | 124.0035 | 1034 |
| 130 | PTFE core liner 1.5/4.0; blue; wire electrode Ø 0.8 - 1.0; for 3.00 m | | 126.0005 | 1034 |
| 130 | PTFE core liner 1.5/4.0; blue; wire electrode Ø 0.8 - 1.0; for 4.00 m | | 126.0008 | 1034 |
| 130 | PTFE core liner 1.5/4.0; blue; wire electrode Ø 0.8 - 1.0; for 5.00 m | | 126.0011 | 1034 |
| 130 | PTFE carbon core liner 1.5/4.0; wire electrode Ø 0.8 - 1.0; for 3.00 m | | 127.0002 | 1034 |
| 130 | PTFE carbon core liner 1.5/4.0; wire electrode Ø 0.8 - 1.0; for 4.00 m | | 127.0003 | 1034 |
| 130 | PTFE carbon core liner 1.5/4.0; wire electrode Ø 0.8 - 1.0; for 5.00 m | | 127.0004 | 1034 |
| 131 | Nipple for core liner at Ø 4.0 | 20 Pcs. | 131.0001 | 1095 |
| 132 | O-Ring 3.5x1.5 | 20 Pcs. | 165.0008 | 9010 |
| 133 | Guide tube for core liners up to Ø 4.0 (200 mm) | 10 Pcs. | 129.0461 | 1095 |
| 200 | Spanner Standard | | 191.0001 | 9010 |

MIG/MAG Fume Extraction Torches RAB GRIP 24 KD



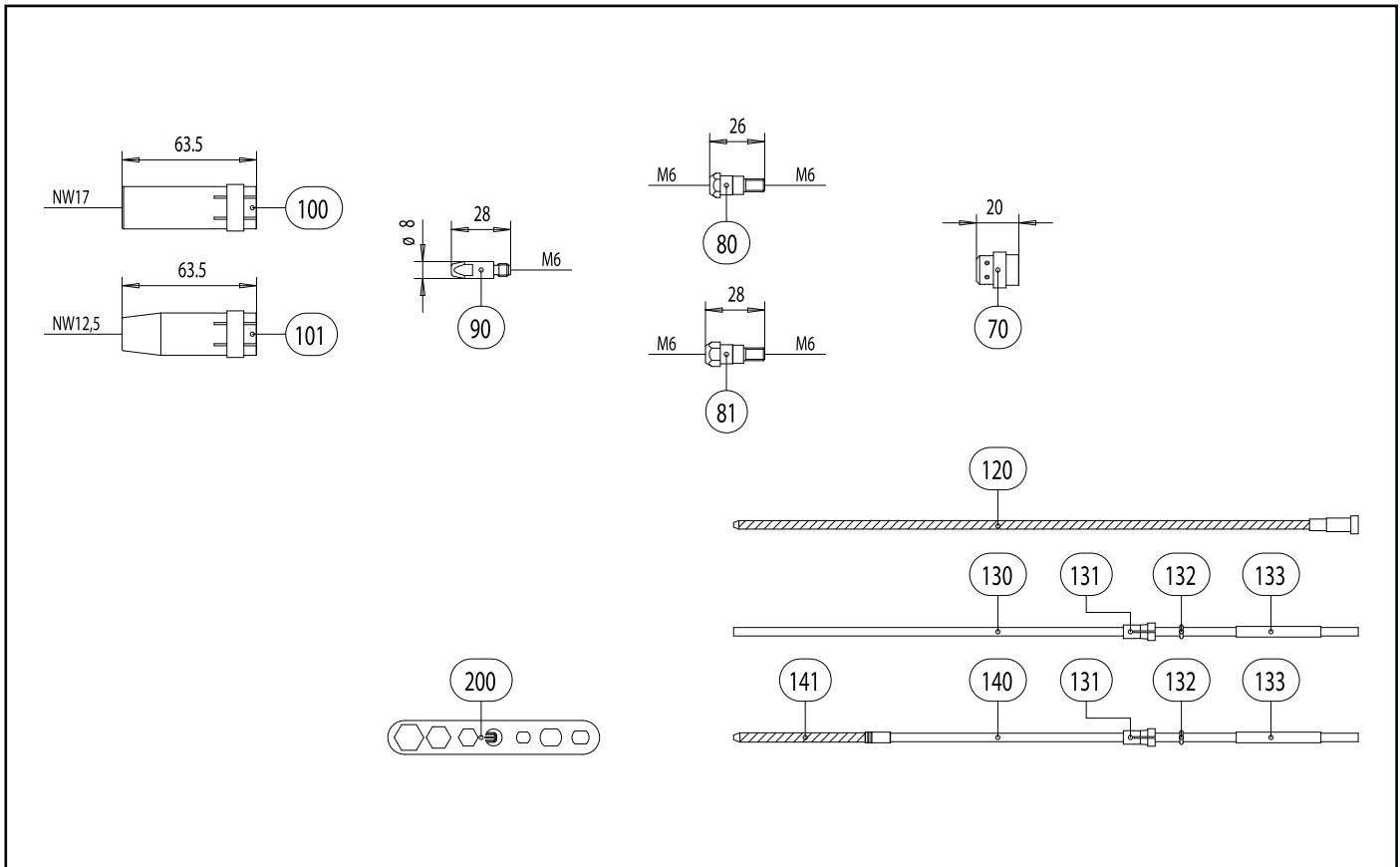
| Pos. | Description | Units | Part-No. | Product-group |
|------|--|---------|-------------|---------------|
| | Torch (Suction nozzle with spring clip, feed air slide below) | | | |
| | RAB GRIP 25 AK; central adaptor KZ-2; 3.00 m | | 604.3001.1 | 1620 |
| | RAB GRIP 25 AK; central adaptor KZ-2; 4.00 m | | 604.3002.1 | 1620 |
| | RAB GRIP 25 AK; central adaptor KZ-2; 5.00 m | | 604.3003.1 | 1620 |
| | Torch (Suction nozzle with Quicklock, feed air slide on top) | | | |
| | RAB GRIP 25 AK Quicklock; central adaptor KZ-2; 3.00 m | | 604.3007.1 | 1620 |
| | RAB GRIP 25 AK Quicklock; central adaptor KZ-2; 4.00 m | | 604.3008.1 | 1620 |
| | RAB GRIP 25 AK Quicklock; central adaptor KZ-2; 5.00 m | | 604.3009.1 | 1620 |
| | Swan neck | | | |
| 1 | Swan neck RAB GRIP 25 AK | | 604.2001 | 1007 |
| 1.1 | Outer neck | | 600.3007.1 | 1095 |
| | Fume shroud | | | |
| 2 | Fume shroud with spring clip (type 25) | | 600.2046.1 | 1602 |
| 2.1 | Fume shroud (funnel) | | 602.0040 | 1602 |
| 2.2 | Spring clip | | 600.2037 | 1095 |
| 3 | Fume shroud with Quicklock (type 25) | | 600.3019.1 | 1602 |
| | Handle RAB GRIP standard | | | |
| 10 | Handle RAB GRIP Standard (feed air slide below) | | 180.0138.1 | 1095 |
| 10.1 | Trigger 2-pole GRIP | | 185.0101 | 9010 |
| 10.2 | | 10 Pcs. | 400.1452.10 | 9010 |
| | Handle RAB GRIP ZO | | | |
| 11 | Handle RAB GRIP ZO (feed air slide on top) | | 180.0144.1 | 1095 |
| 11.1 | | | 400.1631.1 | 1095 |
| 11.2 | | 10 Pcs. | 400.1496.10 | 1095 |

MIG/MAG Fume Extraction Torches RAB GRIP 24 KD



| Pos. | Description | Units | Part-No. | Product-group |
|-----------------------|--------------------------------------|---------|------------|---------------|
| Cable assembly | | | | |
| 40 | Bikox® LW-power cable, R5 for 3.00 m | | 160.H032.1 | 1511 |
| 40 | Bikox® LW-power cable, R5 for 4.00 m | | 160.H033.1 | 1511 |
| 40 | Bikox® LW-power cable, R5 for 5.00 m | | 160.H034.1 | 1511 |
| 40.1 | Hexagon nut M10x1 | 10 Pcs. | 001.0009 | 9010 |
| 44 | Trigger wire connector | 20 Pcs. | 175.0022 | 9010 |
| 46 | Plug | 20 Pcs. | 175.0004 | 9010 |
| 53 | Hose 33 black LW 32 R | 30 m | 109.0043 | 4050 |
| 54 | Connector RAB GRIP 15 / 24 / 25 / 36 | | 600.2008 | 1095 |
| 55 | | | 600.3005.1 | 1095 |
| 56 | | | 501.2591.1 | 1095 |
| 57 | Pan head screw M4x6 | 20 Pcs. | 000.0552 | 9010 |
| 57.1 | Screw cap 1 | 20 Pcs. | 500.0251 | 9010 |
| 58 | Adaptor nut M33x2 | | 500.0213 | 9010 |
| 59 | Central adaptor KZ-2 | | 501.0003 | 1095 |
| 60 | Coupling nut M10x1 | 10 Pcs. | 501.0082 | 9010 |
| 61 | O-Ring 4x1 | 20 Pcs. | 165.0002 | 9010 |
| 62 | Trigger wire connector; female | 20 Pcs. | 175.0003 | 9010 |
| Wear parts | | | | |
| 80 | Contact tip holder M6; 35.0 mm | 10 Pcs. | 142.0001 | 1033 |
| 90 | Contact tip M6 E-Cu; Ø 0.8 (8x28) | 10 Pcs. | 140.0051 | 1030 |
| 90 | Contact tip M6 E-Cu; Ø 1.0 (8x28) | 10 Pcs. | 140.0242 | 1030 |
| 90 | Contact tip M6 E-Cu; Ø 1.2 (8x28) | 10 Pcs. | 140.0379 | 1030 |
| 90 | Contact tip M6 CuCrZr; Ø 0.8 (8x28) | 10 Pcs. | 140.0054 | 1031 |
| 90 | Contact tip M6 CuCrZr; Ø 1.0 (8x28) | 10 Pcs. | 140.0245 | 1031 |
| 90 | Contact tip M6 CuCrZr; Ø 1.2 (8x28) | 10 Pcs. | 140.0382 | 1031 |

MIG/MAG Fume Extraction Torches RAB GRIP 24 KD



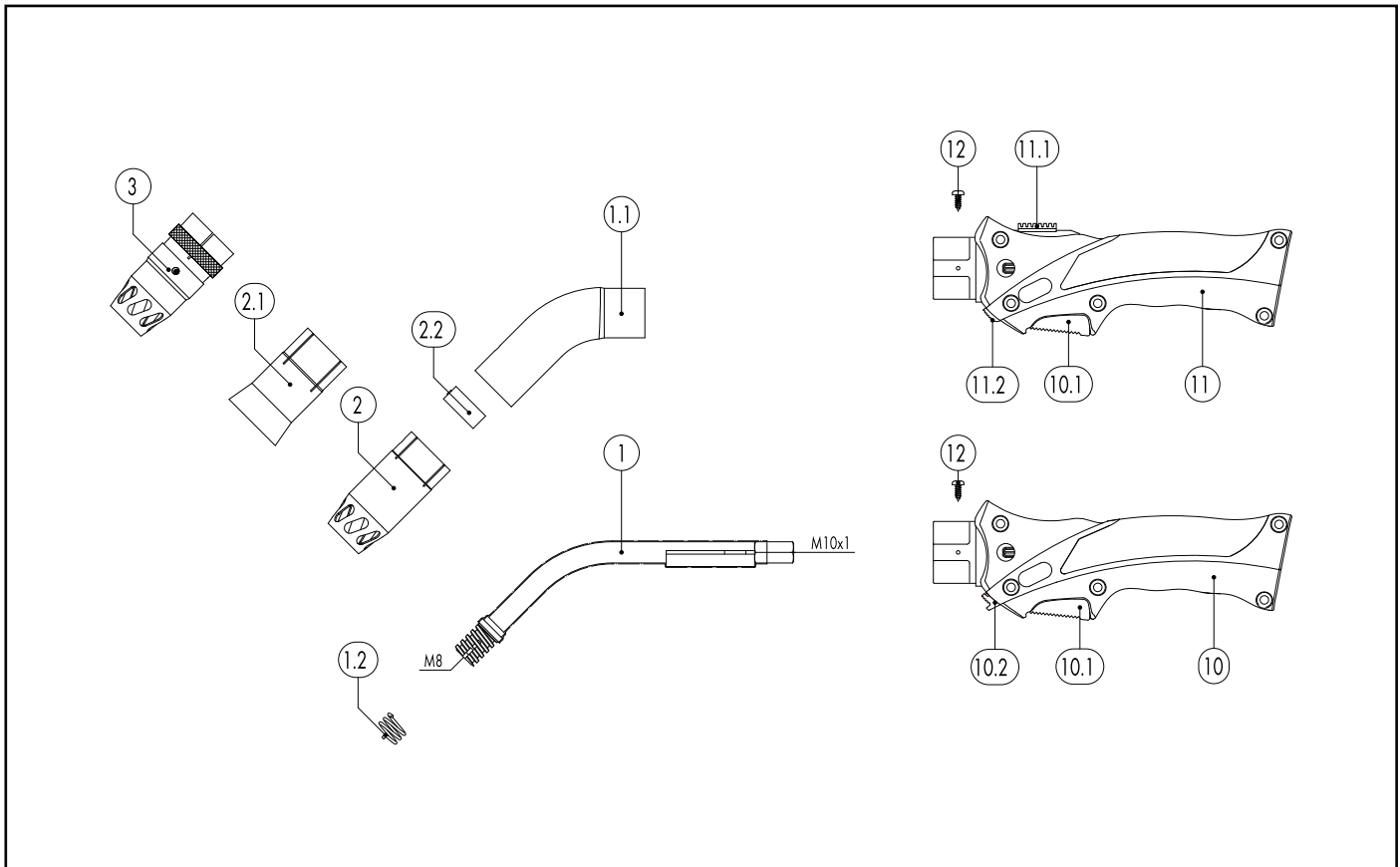
Pos. Description

| Pos. | Description | Units | Part-No. | Product-group |
|------|---|---------|----------|---------------|
| 90 | Contact tip M6 E-Cu; Ø 0.8 for alu wire (8x28) | 10 Pcs. | 141.0001 | 1030 |
| 90 | Contact tip M6 E-Cu; Ø 1.0 for alu wire (8x28) | 10 Pcs. | 141.0006 | 1030 |
| 90 | Contact tip M6 E-Cu; Ø 1.2 for alu wire (8x28) | 10 Pcs. | 141.0010 | 1030 |
| 90 | Contact tip M6 CuCrZr silver-plated; Ø 0.8 (8x28) | 10 Pcs. | 147.0054 | 1031 |
| 90 | Contact tip M6 CuCrZr silver-plated; Ø 1.0 (8x28) | 10 Pcs. | 147.0245 | 1031 |
| 90 | Contact tip M6 CuCrZr silver-plated; Ø 1.2 (8x28) | 10 Pcs. | 147.0382 | 1031 |
| 100 | Gas nozzle; cylindrical; ND Ø 18.0 | 10 Pcs. | 145.0042 | 1036 |
| 101 | Gas nozzle; cylindrical with extended insulation; ND Ø 18.0 | 10 Pcs. | 145.0061 | 1036 |
| 102 | Gas nozzle; conical; ND Ø 15.0 | 10 Pcs. | 145.0076 | 1036 |
| 103 | Gas nozzle; conical; with extended insulation; ND Ø 15.0 | 10 Pcs. | 145.0100 | 1036 |
| 105 | Gas nozzle; tapered, with extended insulation; ND Ø 13.0 | 10 Pcs. | 145.0432 | 1036 |
| 120 | Guide spiral liner insulated; 1.5/4.5; blue; for wire Ø 0.6 - 0.8; for 3.00 m | | 124.0011 | 1034 |
| 120 | Guide spiral liner insulated; 1.5/4.5; blue; for wire Ø 0.6 - 0.8; for 4.00 m | | 124.0012 | 1034 |
| 120 | Guide spiral liner insulated; 1.5/4.5; blue; for wire Ø 0.6 - 0.8; for 5.00 m | | 124.0015 | 1034 |
| 120 | Guide spiral liner insulated; 2.0/4.5; red; for wire Ø 1.0 - 1.2; for 3.00 m | | 124.0026 | 1034 |
| 120 | Guide spiral liner insulated; 2.0/4.5; red; for wire Ø 1.0 - 1.2; for 4.00 m | | 124.0031 | 1034 |
| 120 | Guide spiral liner insulated; 2.0/4.5; red; for wire Ø 1.0 - 1.2; for 5.00 m | | 124.0035 | 1034 |
| 130 | PTFE core liner 1.5/4.0; blue; wire electrode Ø 0.8 - 1.0; for 3.00 m | | 126.0005 | 1034 |
| 130 | PTFE core liner 1.5/4.0; blue; wire electrode Ø 0.8 - 1.0; for 4.00 m | | 126.0008 | 1034 |
| 130 | PTFE core liner 1.5/4.0; blue; wire electrode Ø 0.8 - 1.0; for 5.00 m | | 126.0011 | 1034 |
| 130 | PTFE core liner 2.0/4.0; red; wire electrode Ø 1.0 - 1.2; for 3.00 m | | 126.0021 | 1034 |
| 130 | PTFE core liner 2.0/4.0; red; wire electrode Ø 1.0 - 1.2; for 4.00 m | | 126.0026 | 1034 |
| 130 | PTFE core liner 2.0/4.0; red; wire electrode Ø 1.0 - 1.2; for 5.00 m | | 126.0028 | 1034 |
| 130 | PTFE carbon core liner 1.5/4.0; wire electrode Ø 0.8 - 1.0; for 3.00 m | | 127.0002 | 1034 |
| 130 | PTFE carbon core liner 1.5/4.0; wire electrode Ø 0.8 - 1.0; for 4.00 m | | 127.0003 | 1034 |
| 130 | PTFE carbon core liner 1.5/4.0; wire electrode Ø 0.8 - 1.0; for 5.00 m | | 127.0004 | 1034 |

MIG/MAG Fume Extraction Torches RAB GRIP 24 KD

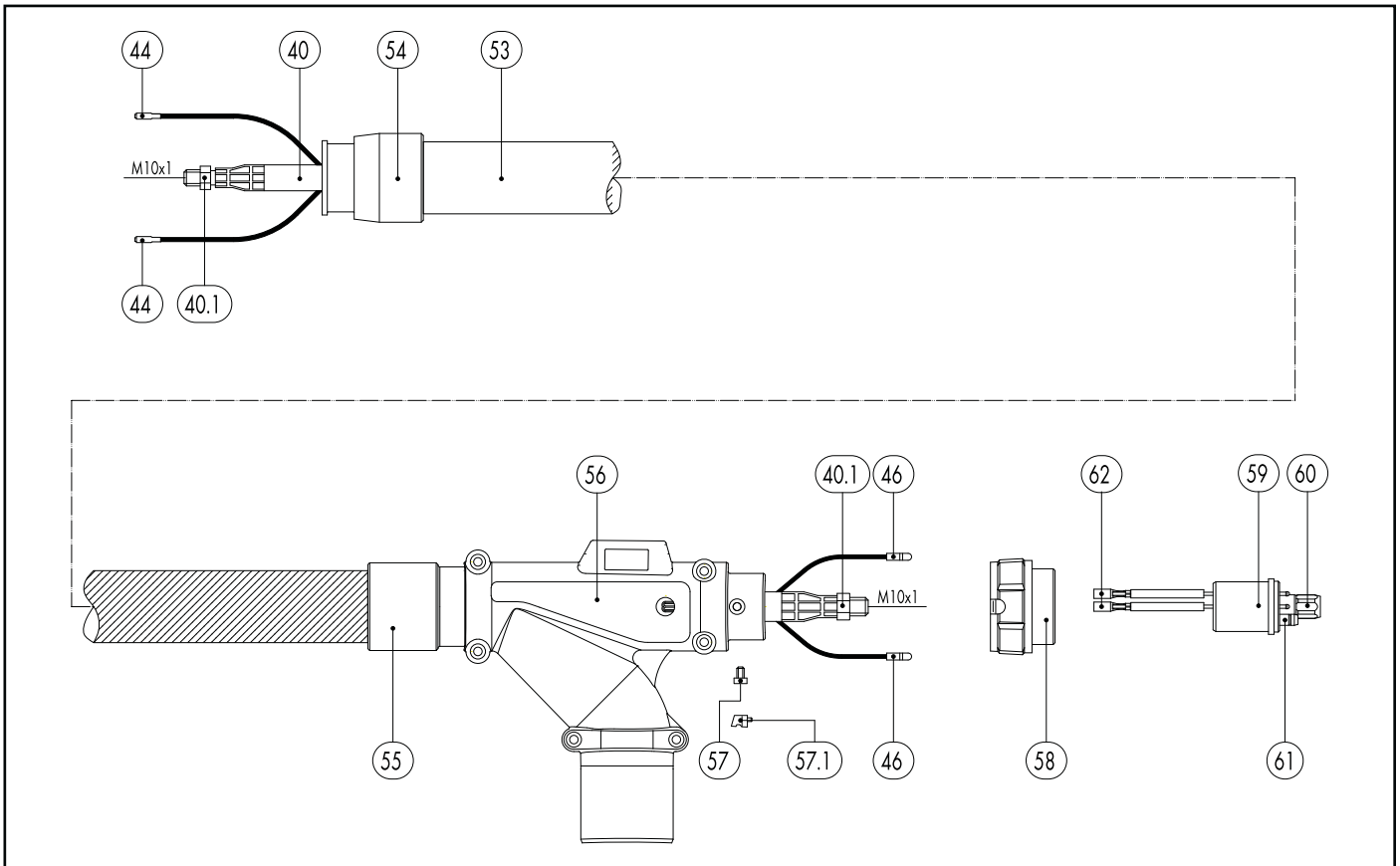
| Pos. | Description | Units | Part-No. | Product-group |
|------|--|---------|----------|---------------|
| 130 | PTFE carbon core liner 2.0/4.0; wire electrode Ø 1.0 - 1.2; for 3.00 m | | 127.0005 | 1034 |
| 130 | PTFE carbon core liner 2.0/4.0; wire electrode Ø 1.0 - 1.2; for 4.00 m | | 127.0007 | 1034 |
| 130 | PTFE carbon core liner 2.0/4.0; wire electrode Ø 1.0 - 1.2; for 5.00 m | | 127.0008 | 1034 |
| 131 | Nipple for core liner at Ø 4.0 | 20 Pcs. | 131.0001 | 1095 |
| 132 | O-Ring 3.5x1.5 | 20 Pcs. | 165.0008 | 9010 |
| 133 | Guide tube for core liners up to Ø 4.0 (200 mm) | 10 Pcs. | 129.0461 | 1095 |
| 140 | Combined wire guide cpl. polyamide/brass; wire Ø 1.0 - 1.2; for 3.00 m | | 128.M002 | 1034 |
| 140 | Combined wire guide cpl. polyamide/brass; wire Ø 1.0 - 1.2; for 4.00 m | | 128.M003 | 1034 |
| 140 | Combined wire guide cpl. polyamide/brass; wire Ø 1.0 - 1.2; for 5.00 m | | 128.M004 | 1034 |
| 141 | Brass spiral made up with sleeve (200 mm) | 10 Pcs. | 001.0305 | 1095 |
| 200 | Spanner Standard | | 191.0001 | 9010 |
| | | | | |
| | | | | |
| | | | | |
| | | | | |
| | | | | |
| | | | | |
| | | | | |
| | | | | |
| | | | | |
| | | | | |
| | | | | |
| | | | | |
| | | | | |
| | | | | |
| | | | | |
| | | | | |
| | | | | |
| | | | | |
| | | | | |
| | | | | |
| | | | | |
| | | | | |
| | | | | |
| | | | | |

MIG/MAG Fume Extraction Torches RAB GRIP 25 AK



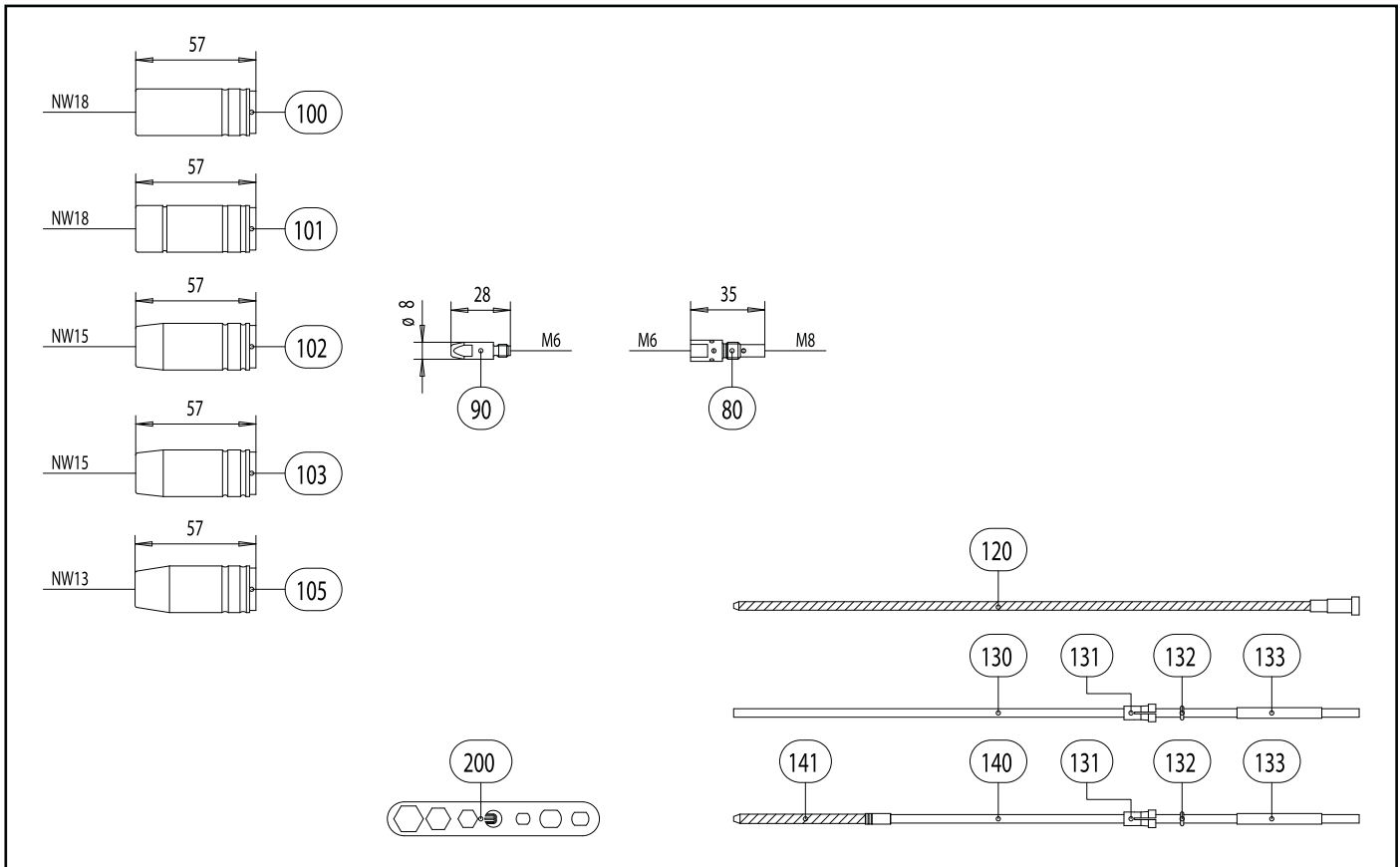
| Pos. | Description | Units | Part-No. | Product-group |
|------|--|---------|-------------|---------------|
| | Torch (Suction nozzle with spring clip, feed air slide below) | | | |
| | RAB GRIP 24 KD; central adaptor KZ-2; 3.00 m | | 612.3001.1 | 1620 |
| | RAB GRIP 24 KD; central adaptor KZ-2; 4.00 m | | 612.3002.1 | 1620 |
| | RAB GRIP 24 KD; central adaptor KZ-2; 5.00 m | | 612.3003.1 | 1620 |
| | Torch (Suction nozzle with Quicklock, feed air slide on top) | | | |
| | RAB GRIP 24 KD Quicklock; central adaptor KZ-2; 3.00 m | | 612.3007.1 | 1620 |
| | RAB GRIP 24 KD Quicklock; central adaptor KZ-2; 4.00 m | | 612.3008.1 | 1620 |
| | RAB GRIP 24 KD Quicklock; central adaptor KZ-2; 5.00 m | | 612.3009.1 | 1620 |
| | Swan neck | | | |
| 1 | Swan neck RAB GRIP 24 KD | | 612.2001 | 1007 |
| 1.1 | Outer neck | | 600.2002 | 1095 |
| | Fume shroud | | | |
| 2 | Fume shroud with spring clip (type 24, 240) | | 600.2045.1 | 1602 |
| 2.1 | Fume shroud (funnel) | | 612.0023 | 1602 |
| 2.2 | Spring clip | | 600.2028 | 1095 |
| 3 | Fume shroud with Quicklock (type 24, 240) | | 600.3018.1 | 1602 |
| | Handle RAB GRIP standard | | | |
| 10 | Handle RAB GRIP Standard (feed air slide below) | | 180.0138.1 | 1095 |
| 10.1 | Trigger 2-pole GRIP | | 185.0101 | 9010 |
| 10.2 | | 10 Pcs. | 400.1452.10 | 9010 |
| | Handle RAB GRIP ZO | | | |
| 11 | Handle RAB GRIP ZO (feed air slide on top) | | 180.0144.1 | 1095 |
| 11.1 | | | 400.1631.1 | 1095 |
| 11.2 | | 10 Pcs. | 400.1496.10 | 1095 |

MIG/MAG Fume Extraction Torches RAB GRIP 25 AK



| Pos. | Description | Units | Part-No. | Product-group |
|-----------------------|--------------------------------------|---------|------------|---------------|
| Cable assembly | | | | |
| 40 | Bikox® LW-power cable, R6 for 3.00 m | | 160.H039.1 | 1511 |
| 40 | Bikox® LW-power cable, R6 for 4.00 m | | 160.H040.1 | 1511 |
| 40 | Bikox® LW-power cable, R6 for 5.00 m | | 160.H041.1 | 1511 |
| 40.1 | Hexagon nut M10x1 | 10 Pcs. | 001.0009 | 9010 |
| 44 | Trigger wire connector | 20 Pcs. | 175.0022 | 9010 |
| 46 | Plug | 20 Pcs. | 175.0004 | 9010 |
| 53 | Hose 33 black LW 32 R | 30 m | 109.0043 | 4050 |
| 54 | Connector RAB GRIP 15 / 24 / 25 / 36 | | 600.2008 | 1095 |
| 55 | | | 600.3005.1 | 1095 |
| 56 | | | 501.2591.1 | 1095 |
| 57 | Pan head screw M4x6 | 20 Pcs. | 000.0552 | 9010 |
| 57.1 | Screw cap 1 | 20 Pcs. | 500.0251 | 9010 |
| 58 | Adaptor nut M33x2 | | 500.0213 | 9010 |
| 59 | Central adaptor KZ-2 | | 501.0003 | 1095 |
| 60 | Coupling nut M10x1 | 10 Pcs. | 501.0082 | 9010 |
| 61 | O-Ring 4x1 | 20 Pcs. | 165.0002 | 9010 |
| 62 | Trigger wire connector; female | 20 Pcs. | 175.0003 | 9010 |
| Wear parts | | | | |
| 70 | Gas diffuser, white | 10 Pcs. | 012.0183 | 1032 |
| 70 | Gas diffuser, silicone rubber | 10 Pcs. | 012.0243 | 1032 |
| 80 | Contact tip holder M6; 26.0 mm | 10 Pcs. | 142.0003 | 1033 |
| 81 | Contact tip holder M6; 28.0 mm | 10 Pcs. | 142.0010 | 1033 |
| 90 | Contact tip M6 E-Cu; Ø 0.8 (8x28) | 10 Pcs. | 140.0051 | 1030 |
| 90 | Contact tip M6 E-Cu; Ø 1.0 (8x28) | 10 Pcs. | 140.0242 | 1030 |
| 90 | Contact tip M6 E-Cu; Ø 1.2 (8x28) | 10 Pcs. | 140.0379 | 1030 |

MIG/MAG Fume Extraction Torches RAB GRIP 25 AK



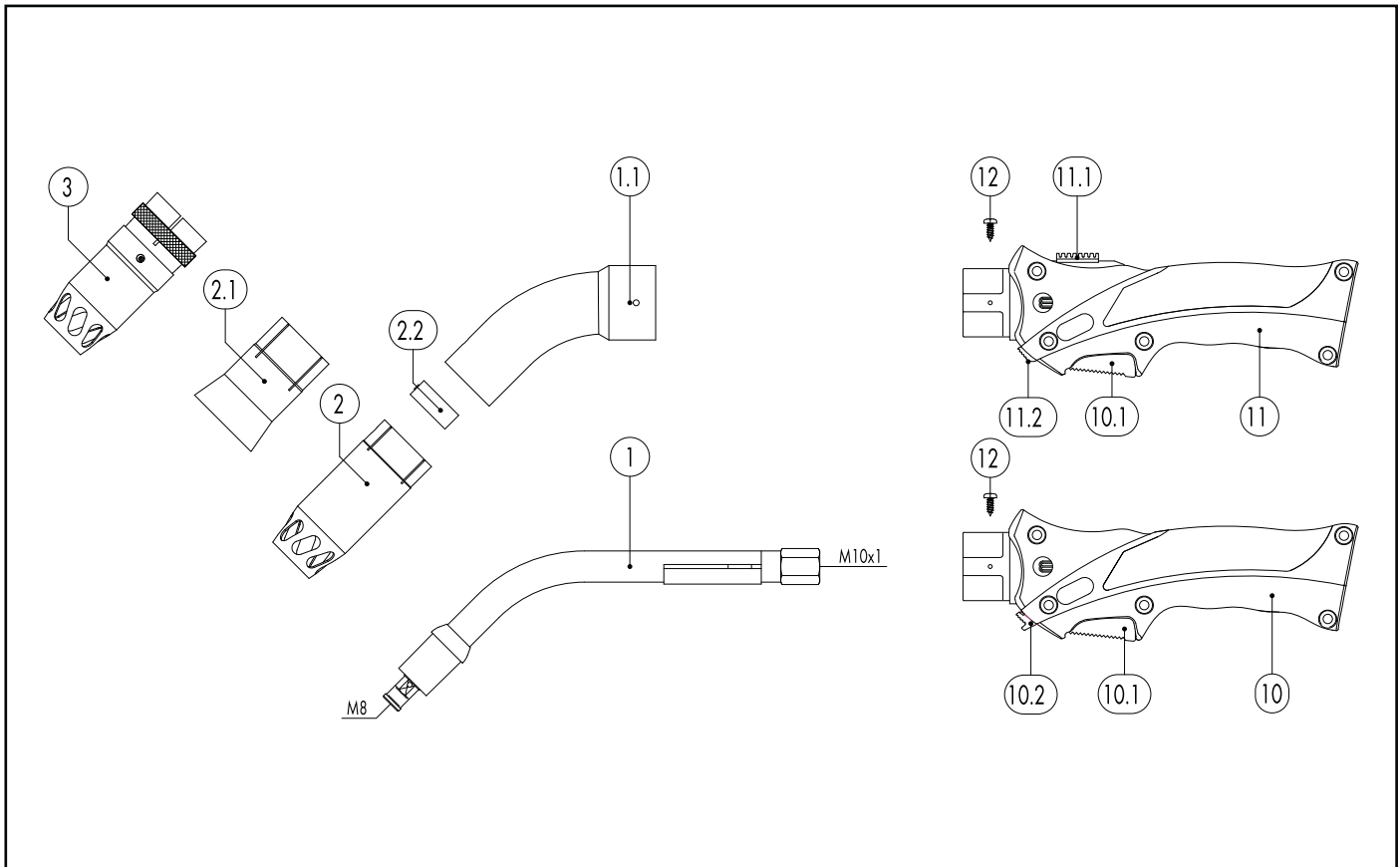
Pos. Description

| Pos. | Description | Units | Part-No. | Product-group |
|------|---|---------|----------|---------------|
| 90 | Contact tip M6 CuCrZr; Ø 0.8 (8x28) | 10 Pcs. | 140.0054 | 1031 |
| 90 | Contact tip M6 CuCrZr; Ø 1.0 (8x28) | 10 Pcs. | 140.0245 | 1031 |
| 90 | Contact tip M6 CuCrZr; Ø 1.2 (8x28) | 10 Pcs. | 140.0382 | 1031 |
| 90 | Contact tip M6 E-Cu; Ø 0.8 for alu wire (8x28) | 10 Pcs. | 141.0001 | 1030 |
| 90 | Contact tip M6 E-Cu; Ø 1.0 for alu wire (8x28) | 10 Pcs. | 141.0006 | 1030 |
| 90 | Contact tip M6 E-Cu; Ø 1.2 for alu wire (8x28) | 10 Pcs. | 141.0010 | 1030 |
| 90 | Contact tip M6 CuCrZr silver-plated; Ø 0.8 (8x28) | 10 Pcs. | 147.0054 | 1031 |
| 90 | Contact tip M6 CuCrZr silver-plated; Ø 1.0 (8x28) | 10 Pcs. | 147.0245 | 1031 |
| 90 | Contact tip M6 CuCrZr silver-plated; Ø 1.2 (8x28) | 10 Pcs. | 147.0382 | 1031 |
| 100 | Gas nozzle; cylindrical; ND Ø 17.0 | 10 Pcs. | 145.0047 | 1036 |
| 101 | Gas nozzle; conical; ND Ø 12.5 | 10 Pcs. | 145.0080 | 1036 |
| 120 | Guide spiral liner insulated; 1.5/4.5; blue; for wire Ø 0.6 - 0.8; for 3.00 m | | 124.0011 | 1034 |
| 120 | Guide spiral liner insulated; 1.5/4.5; blue; for wire Ø 0.6 - 0.8; for 4.00 m | | 124.0012 | 1034 |
| 120 | Guide spiral liner insulated; 1.5/4.5; blue; for wire Ø 0.6 - 0.8; for 5.00 m | | 124.0015 | 1034 |
| 120 | Guide spiral liner insulated; 2.0/4.5; red; for wire Ø 1.0 - 1.2; for 3.00 m | | 124.0026 | 1034 |
| 120 | Guide spiral liner insulated; 2.0/4.5; red; for wire Ø 1.0 - 1.2; for 4.00 m | | 124.0031 | 1034 |
| 120 | Guide spiral liner insulated; 2.0/4.5; red; for wire Ø 1.0 - 1.2; for 5.00 m | | 124.0035 | 1034 |
| 130 | PTFE core liner 1.5/4.0; blue; wire electrode Ø 0.8 - 1.0; for 3.00 m | | 126.0005 | 1034 |
| 130 | PTFE core liner 1.5/4.0; blue; wire electrode Ø 0.8 - 1.0; for 4.00 m | | 126.0008 | 1034 |
| 130 | PTFE core liner 1.5/4.0; blue; wire electrode Ø 0.8 - 1.0; for 5.00 m | | 126.0011 | 1034 |
| 130 | PTFE core liner 2.0/4.0; red; wire electrode Ø 1.0 - 1.2; for 3.00 m | | 126.0021 | 1034 |
| 130 | PTFE core liner 2.0/4.0; red; wire electrode Ø 1.0 - 1.2; for 4.00 m | | 126.0026 | 1034 |
| 130 | PTFE core liner 2.0/4.0; red; wire electrode Ø 1.0 - 1.2; for 5.00 m | | 126.0028 | 1034 |
| 130 | PTFE carbon core liner 1.5/4.0; wire electrode Ø 0.8 - 1.0; for 3.00 m | | 127.0002 | 1034 |
| 130 | PTFE carbon core liner 1.5/4.0; wire electrode Ø 0.8 - 1.0; for 4.00 m | | 127.0003 | 1034 |
| 130 | PTFE carbon core liner 1.5/4.0; wire electrode Ø 0.8 - 1.0; for 5.00 m | | 127.0004 | 1034 |

MIG/MAG Fume Extraction Torches RAB GRIP 25 AK

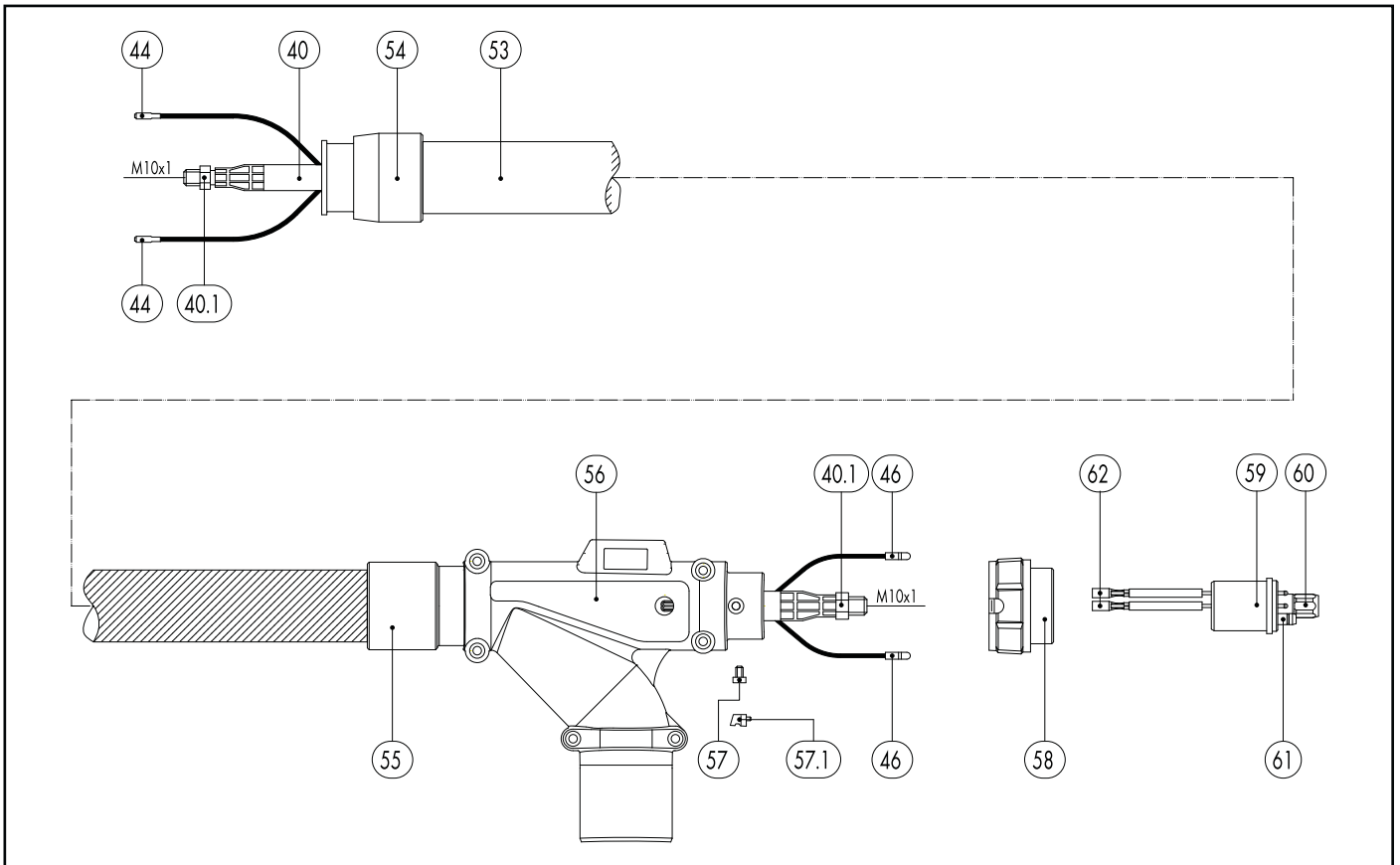
| Pos. | Description | Units | Part-No. | Product-group |
|-------------|--|--------------|-----------------|----------------------|
| 130 | PTFE carbon core liner 2.0/4.0; wire electrode Ø 1.0 - 1.2; for 3.00 m | | 127.0005 | 1034 |
| 130 | PTFE carbon core liner 2.0/4.0; wire electrode Ø 1.0 - 1.2; for 4.00 m | | 127.0007 | 1034 |
| 130 | PTFE carbon core liner 2.0/4.0; wire electrode Ø 1.0 - 1.2; for 5.00 m | | 127.0008 | 1034 |
| 131 | Nipple for core liner at Ø 4.0 | 20 Pcs. | 131.0001 | 1095 |
| 132 | O-Ring 3.5x1.5 | 20 Pcs. | 165.0008 | 9010 |
| 133 | Guide tube for core liners up to Ø 4.0 (200 mm) | 10 Pcs. | 129.0461 | 1095 |
| 140 | Combined wire guide cpl. polyamide/brass; wire Ø 1.0 - 1.2; for 3.00 m | | 128.M002 | 1034 |
| 140 | Combined wire guide cpl. polyamide/brass; wire Ø 1.0 - 1.2; for 4.00 m | | 128.M003 | 1034 |
| 140 | Combined wire guide cpl. polyamide/brass; wire Ø 1.0 - 1.2; for 5.00 m | | 128.M004 | 1034 |
| 141 | Brass spiral made up with sleeve (200 mm) | 10 Pcs. | 001.0305 | 1095 |
| 200 | Spanner Standard | | 191.0001 | 9010 |
| | | | | |
| | | | | |
| | | | | |
| | | | | |
| | | | | |
| | | | | |
| | | | | |
| | | | | |
| | | | | |
| | | | | |
| | | | | |
| | | | | |
| | | | | |
| | | | | |
| | | | | |
| | | | | |
| | | | | |
| | | | | |
| | | | | |
| | | | | |
| | | | | |
| | | | | |

MIG/MAG Fume Extraction Torches RAB GRIP 36 KD



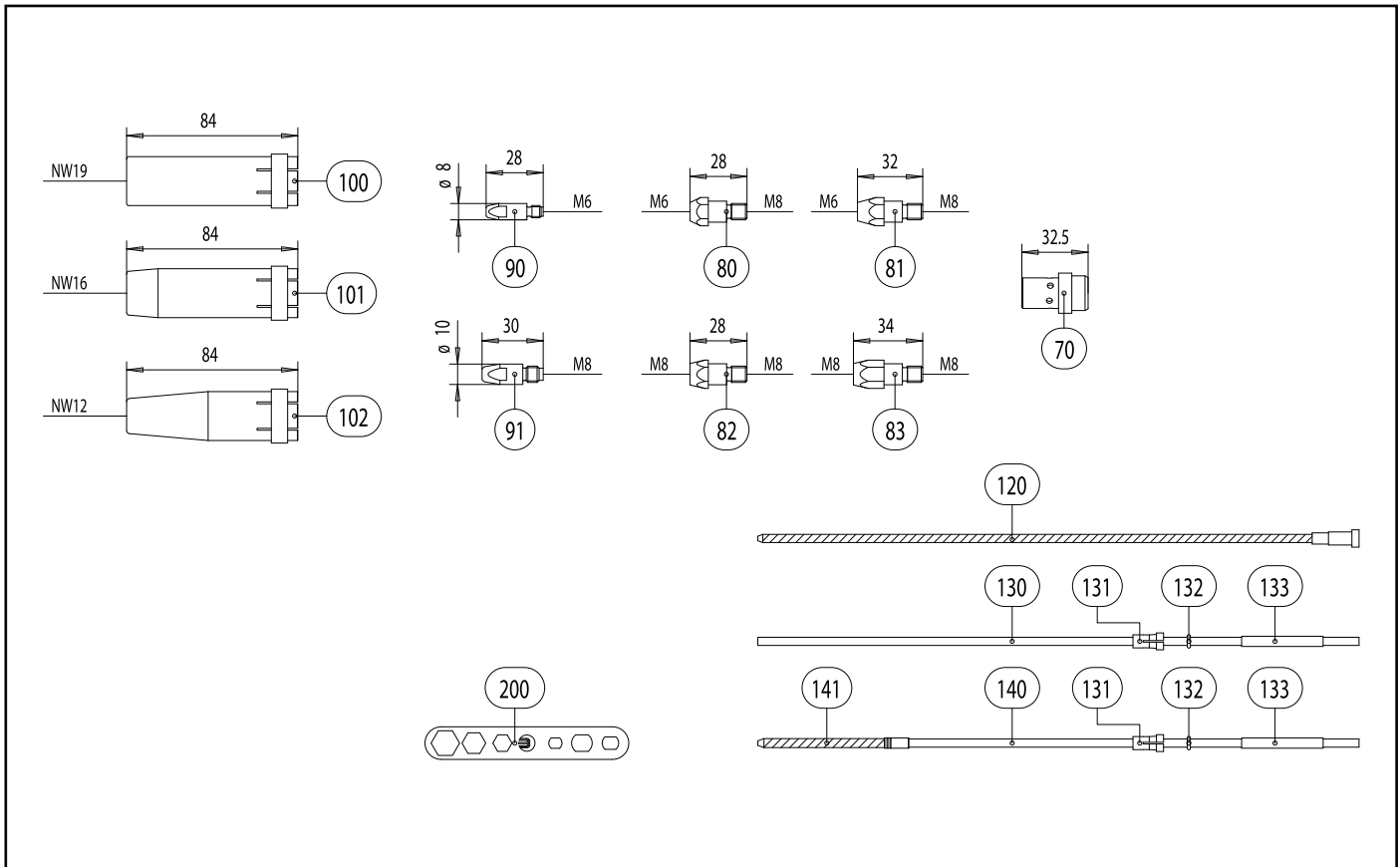
| Pos. | Description | Units | Part-No. | Product-group |
|--|--|---------|-------------|---------------|
| Torch (Suction nozzle with spring clip, feed air slide below) | | | | |
| | RAB GRIP 36 KD; central adaptor KZ-2; 3.00 m | | 614.3001.1 | 1620 |
| | RAB GRIP 36 KD; central adaptor KZ-2; 4.00 m | | 614.3002.1 | 1620 |
| | RAB GRIP 36 KD; central adaptor KZ-2; 5.00 m | | 614.3003.1 | 1620 |
| Torch (Suction nozzle with Quicklock, feed air slide on top) | | | | |
| | RAB GRIP 36 KD Quicklock; central adaptor KZ-2; 3.00 m | | 614.3007.1 | 1620 |
| | RAB GRIP 36 KD Quicklock; central adaptor KZ-2; 4.00 m | | 614.3008.1 | 1620 |
| | RAB GRIP 36 KD Quicklock; central adaptor KZ-2; 5.00 m | | 614.3009.1 | 1620 |
| Swan neck | | | | |
| 1 | Swan neck RAB Plus 36 KD | | 614.2001 | 1014 |
| 1.1 | Outer neck | | 600.2002 | 1095 |
| Fume shroud | | | | |
| 2 | Fume shroud with spring clip (type 36, 501) | | 600.2044.1 | 1602 |
| 2.1 | Fume shroud (funnel) | | 602.0040 | 1602 |
| 2.2 | Spring clip | | 600.2037 | 1095 |
| 3 | Fume shroud with Quicklock (type 36, 501) | | 600.3009.1 | 1602 |
| Handle RAB GRIP standard | | | | |
| 10 | Handle RAB GRIP Standard (feed air slide below) | | 180.0138.1 | 1095 |
| 10.1 | Trigger 2-pole GRIP | | 185.0101 | 9010 |
| 10.2 | | 10 Pcs. | 400.1452.10 | 9010 |
| Handle RAB GRIP ZO | | | | |
| 11 | Handle RAB GRIP ZO (feed air slide on top) | | 180.0144.1 | 1095 |
| 11.1 | | | 400.1631.1 | 1095 |
| 11.2 | | 10 Pcs. | 400.1496.10 | 1095 |

MIG/MAG Fume Extraction Torches RAB GRIP 36 KD



| Pos. | Description | Units | Part-No. | Product-group |
|-----------------------|--|---------|------------|---------------|
| Cable assembly | | | | |
| 40 | Bikox® LW-power cable, R7 for 3.00 m | | 160.H046.1 | 1511 |
| 40 | Bikox® LW-power cable, R7 for 4.00 m | | 160.H047.1 | 1511 |
| 40 | Bikox® LW-power cable, R7 for 5.00 m | | 160.H048.1 | 1511 |
| 40.1 | Hexagon nut M10x1 | 10 Pcs. | 001.0009 | 9010 |
| 44 | Trigger wire connector | 20 Pcs. | 175.0022 | 9010 |
| 46 | Plug | 20 Pcs. | 175.0004 | 9010 |
| 53 | Hose 33 black LW 32 R | 30 m | 109.0043 | 4050 |
| 54 | Connector RAB GRIP 15 / 24 / 25 / 36 | | 600.2008 | 1095 |
| 55 | | | 600.3005.1 | 1095 |
| 56 | | | 501.2591.1 | 1095 |
| 57 | Pan head screw M4x6 | 20 Pcs. | 000.0552 | 9010 |
| 57.1 | Screw cap 1 | 20 Pcs. | 500.0251 | 9010 |
| 58 | Adaptor nut M33x2 | | 500.0213 | 9010 |
| 59 | Central adaptor KZ-2 | | 501.0003 | 1095 |
| 60 | Coupling nut M10x1 | 10 Pcs. | 501.0082 | 9010 |
| 61 | O-Ring 4x1 | 20 Pcs. | 165.0002 | 9010 |
| 62 | Trigger wire connector; female | 20 Pcs. | 175.0003 | 9010 |
| Wear parts | | | | |
| 70 | Gas diffuser, white | 10 Pcs. | 014.0261 | 1032 |
| 70 | Gas diffuser, long life | 10 Pcs. | 014.0026 | 1032 |
| 70 | Gas diffuser, ceramic | 10 Pcs. | 014.0023 | 1032 |
| 80 | Contact tip holder M6; 28.0 mm (short) | 10 Pcs. | 142.0005 | 1033 |
| 81 | Contact tip holder M6; 32.0 mm (long) | 10 Pcs. | 142.0011 | 1033 |
| 82 | Contact tip holder M8; 28.0 mm (short) | 10 Pcs. | 142.0020 | 1033 |
| 83 | Contact tip holder M8; 34.0 mm (long) | 10 Pcs. | 142.0024 | 1033 |

MIG/MAG Fume Extraction Torches RAB GRIP 36 KD



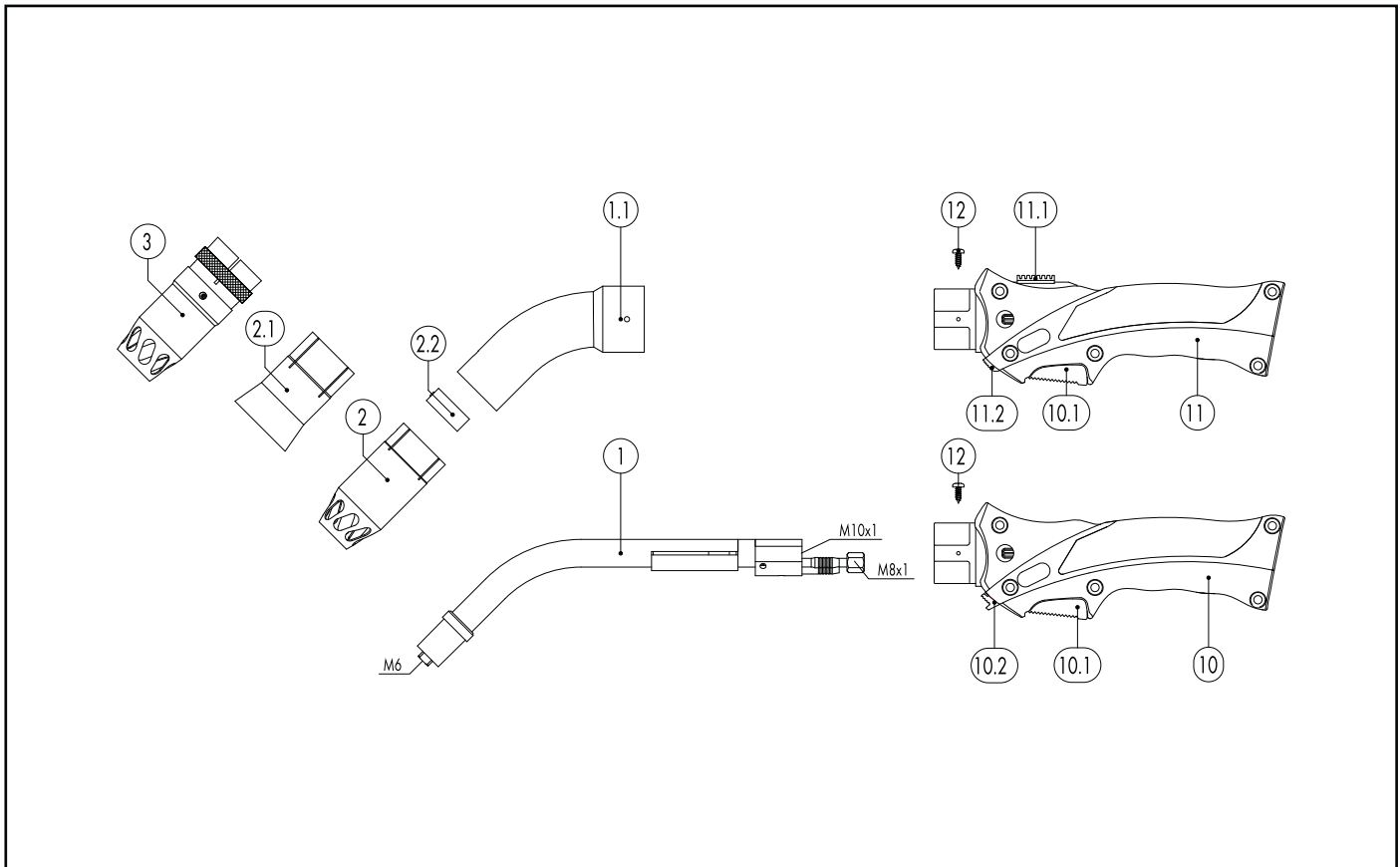
Pos. Description

| Pos. | Description | Units | Part-No. | Product-group |
|------|--|---------|----------|---------------|
| 90 | Contact tip M6 E-Cu; Ø 0.8 (8x28) | 10 Pcs. | 140.0051 | 1030 |
| 90 | Contact tip M6 E-Cu; Ø 1.0 (8x28) | 10 Pcs. | 140.0242 | 1030 |
| 90 | Contact tip M6 E-Cu; Ø 1.2 (8x28) | 10 Pcs. | 140.0379 | 1030 |
| 90 | Contact tip M6 CuCrZr; Ø 0.8 (8x28) | 10 Pcs. | 140.0054 | 1031 |
| 90 | Contact tip M6 CuCrZr; Ø 1.0 (8x28) | 10 Pcs. | 140.0245 | 1031 |
| 90 | Contact tip M6 CuCrZr; Ø 1.2 (8x28) | 10 Pcs. | 140.0382 | 1031 |
| 90 | Contact tip M6 E-Cu; Ø 0.8 for alu wire (8x28) | 10 Pcs. | 141.0001 | 1030 |
| 90 | Contact tip M6 E-Cu; Ø 1.0 for alu wire (8x28) | 10 Pcs. | 141.0006 | 1030 |
| 90 | Contact tip M6 E-Cu; Ø 1.2 for alu wire (8x28) | 10 Pcs. | 141.0010 | 1030 |
| 90 | Contact tip M6 CuCrZr silver-plated; Ø 0.8 (8x28) | 10 Pcs. | 147.0054 | 1031 |
| 90 | Contact tip M6 CuCrZr silver-plated; Ø 1.0 (8x28) | 10 Pcs. | 147.0245 | 1031 |
| 90 | Contact tip M6 CuCrZr silver-plated; Ø 1.2 (8x28) | 10 Pcs. | 147.0382 | 1031 |
| 91 | Contact tip M8 E-Cu; Ø 0.8 (10x30) | 10 Pcs. | 140.0114 | 1030 |
| 91 | Contact tip M8 E-Cu; Ø 1.0 (10x30) | 10 Pcs. | 140.0313 | 1030 |
| 91 | Contact tip M8 E-Cu; Ø 1.2 (10x30) | 10 Pcs. | 140.0442 | 1030 |
| 91 | Contact tip M8 CuCrZr; Ø 0.8 (10x30) | 10 Pcs. | 140.0117 | 1031 |
| 91 | Contact tip M8 CuCrZr; Ø 1.0 (10x30) | 10 Pcs. | 140.0316 | 1031 |
| 91 | Contact tip M8 CuCrZr; Ø 1.2 (10x30) | 10 Pcs. | 140.0445 | 1031 |
| 91 | Contact tip M8 E-Cu; Ø 0.8 for alu wire (10x30) | 10 Pcs. | 141.0003 | 1030 |
| 91 | Contact tip M8 E-Cu; Ø 1.0 for alu wire (10x30) | 10 Pcs. | 141.0008 | 1030 |
| 91 | Contact tip M8 E-Cu; Ø 1.2 for alu wire (10x30) | 10 Pcs. | 141.0015 | 1030 |
| 91 | Contact tip M8 CuCrZr silver-plated; Ø 0.8 (10x30) | 10 Pcs. | 147.0117 | 1031 |
| 91 | Contact tip M8 CuCrZr silver-plated; Ø 1.0 (10x30) | 10 Pcs. | 147.0316 | 1031 |
| 91 | Contact tip M8 CuCrZr silver-plated; Ø 1.2 (10x30) | 10 Pcs. | 147.0445 | 1031 |
| 100 | Gas nozzle; cylindrical; ND Ø 19.0 | 10 Pcs. | 145.0045 | 1037 |
| 101 | Gas nozzle; conical; ND Ø 16.0 | 10 Pcs. | 145.0078 | 1037 |

MIG/MAG Fume Extraction Torches RAB GRIP 36 KD

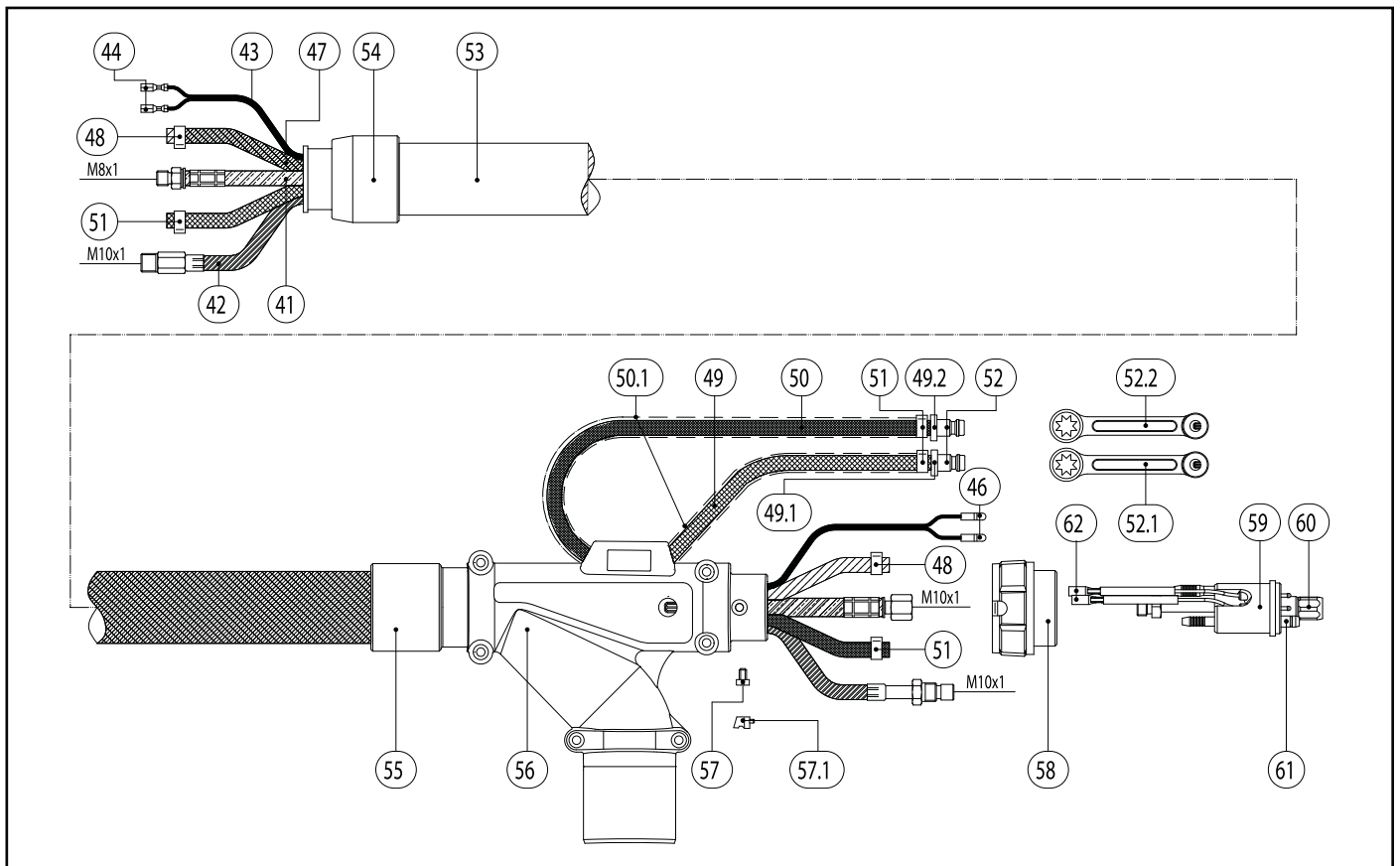
| Pos. | Description | Units | Part-No. | Product-group |
|------|---|---------|----------|---------------|
| 102 | Gas nozzle; tapered; ND Ø 12.0 | 10 Pcs. | 145.0126 | 1037 |
| 120 | Guide spiral liner insulated; 1.5/4.5; blue; for wire Ø 0.6 - 0.8; for 3.00 m | | 124.0011 | 1034 |
| 120 | Guide spiral liner insulated; 1.5/4.5; blue; for wire Ø 0.6 - 0.8; for 4.00 m | | 124.0012 | 1034 |
| 120 | Guide spiral liner insulated; 1.5/4.5; blue; for wire Ø 0.6 - 0.8; for 5.00 m | | 124.0015 | 1034 |
| 120 | Guide spiral liner insulated; 2.0/4.5; red; for wire Ø 1.0 - 1.2; for 3.00 m | | 124.0026 | 1034 |
| 120 | Guide spiral liner insulated; 2.0/4.5; red; for wire Ø 1.0 - 1.2; for 4.00 m | | 124.0031 | 1034 |
| 120 | Guide spiral liner insulated; 2.0/4.5; red; for wire Ø 1.0 - 1.2; for 5.00 m | | 124.0035 | 1034 |
| 130 | PTFE core liner 1.5/4.0; blue; wire electrode Ø 0.8 - 1.0; for 3.00 m | | 126.0005 | 1034 |
| 130 | PTFE core liner 1.5/4.0; blue; wire electrode Ø 0.8 - 1.0; for 4.00 m | | 126.0008 | 1034 |
| 130 | PTFE core liner 1.5/4.0; blue; wire electrode Ø 0.8 - 1.0; for 5.00 m | | 126.0011 | 1034 |
| 130 | PTFE core liner 2.0/4.0; red; wire electrode Ø 1.0 - 1.2; for 3.00 m | | 126.0021 | 1034 |
| 130 | PTFE core liner 2.0/4.0; red; wire electrode Ø 1.0 - 1.2; for 4.00 m | | 126.0026 | 1034 |
| 130 | PTFE core liner 2.0/4.0; red; wire electrode Ø 1.0 - 1.2; for 5.00 m | | 126.0028 | 1034 |
| 130 | PTFE carbon core liner 1.5/4.0; wire electrode Ø 0.8 - 1.0; for 3.00 m | | 127.0002 | 1034 |
| 130 | PTFE carbon core liner 1.5/4.0; wire electrode Ø 0.8 - 1.0; for 4.00 m | | 127.0003 | 1034 |
| 130 | PTFE carbon core liner 1.5/4.0; wire electrode Ø 0.8 - 1.0; for 5.00 m | | 127.0004 | 1034 |
| 130 | PTFE carbon core liner 2.0/4.0; wire electrode Ø 1.0 - 1.2; for 3.00 m | | 127.0005 | 1034 |
| 130 | PTFE carbon core liner 2.0/4.0; wire electrode Ø 1.0 - 1.2; for 4.00 m | | 127.0007 | 1034 |
| 130 | PTFE carbon core liner 2.0/4.0; wire electrode Ø 1.0 - 1.2; for 5.00 m | | 127.0008 | 1034 |
| 131 | Nipple for core liner at Ø 4.0 | 20 Pcs. | 131.0001 | 1095 |
| 132 | O-Ring 3.5x1.5 | 20 Pcs. | 165.0008 | 9010 |
| 133 | Guide tube for core liners up to Ø 4.0 (200 mm) | 10 Pcs. | 129.0461 | 1095 |
| 140 | Combined wire guide cpl. polyamide/brass; wire Ø 1.0 - 1.2; for 3.00 m | | 128.M002 | 1034 |
| 140 | Combined wire guide cpl. polyamide/brass; wire Ø 1.0 - 1.2; for 4.00 m | | 128.M003 | 1034 |
| 140 | Combined wire guide cpl. polyamide/brass; wire Ø 1.0 - 1.2; for 5.00 m | | 128.M004 | 1034 |
| 141 | Brass spiral made up with sleeve (200 mm) | 10 Pcs. | 001.0305 | 1095 |
| 200 | Spanner Standard | | 191.0001 | 9010 |
| | | | | |
| | | | | |
| | | | | |
| | | | | |
| | | | | |
| | | | | |
| | | | | |
| | | | | |
| | | | | |
| | | | | |
| | | | | |

MIG/MAG Fume Extraction Torches RAB GRIP 240 D



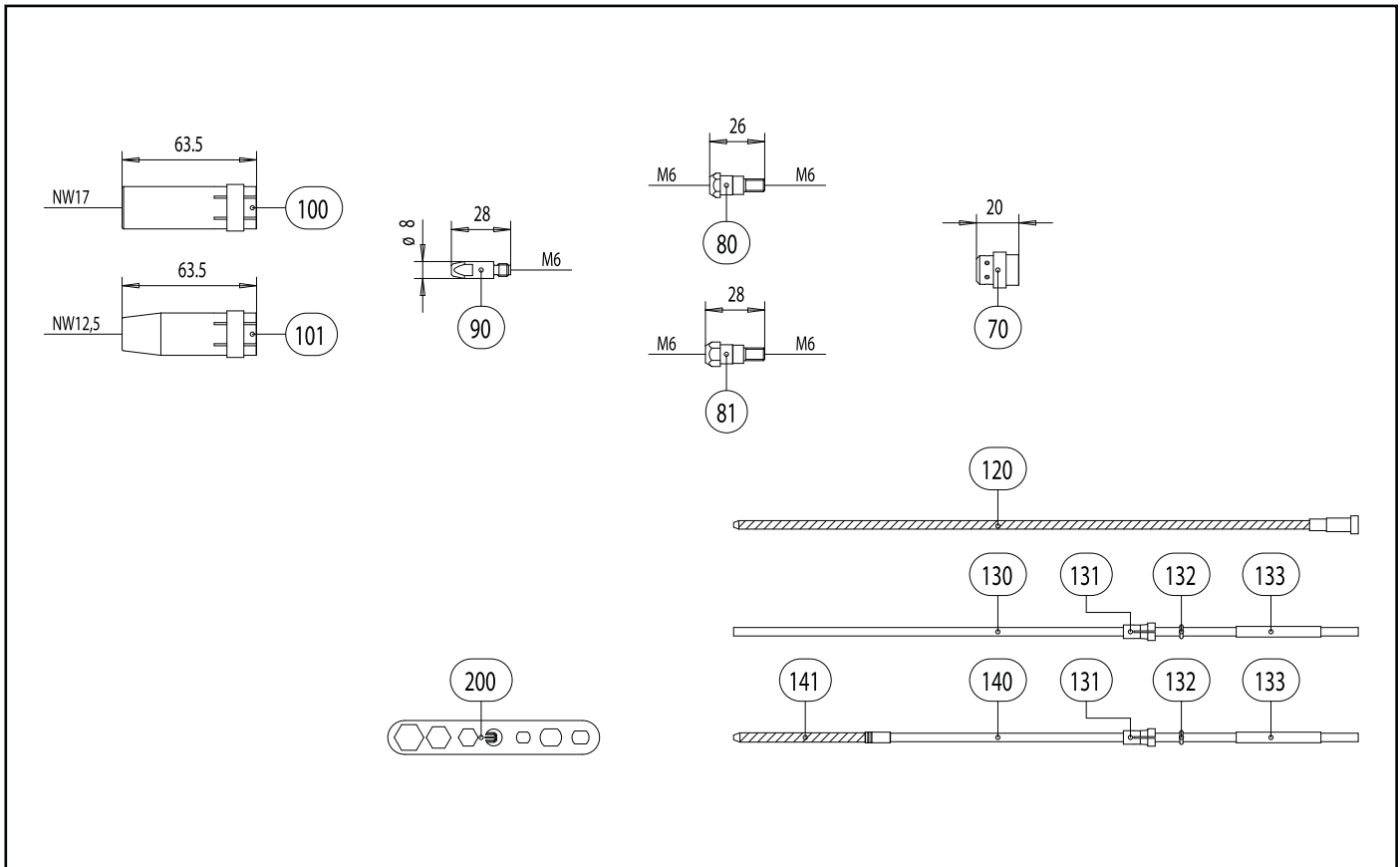
| Pos. | Description | Units | Part-No. | Product-group |
|------|--|---------|-------------|---------------|
| | Torch (Suction nozzle with spring clip, feed air slide below) | | | |
| | RAB GRIP 240 D; central adaptor WZ-2; 3.00 m | | 623.3003.1 | 1620 |
| | RAB GRIP 240 D; central adaptor WZ-2; 4.00 m | | 623.3004.1 | 1620 |
| | RAB GRIP 240 D; central adaptor WZ-2; 5.00 m | | 623.3005.1 | 1620 |
| | Torch (Suction nozzle with Quicklock, feed air slide on top) | | | |
| | RAB GRIP 240 D Quicklock; central adaptor WZ-2; 3.00 m | | 623.3011.1 | 1620 |
| | RAB GRIP 240 D Quicklock; central adaptor WZ-2; 4.00 m | | 623.3012.1 | 1620 |
| | RAB GRIP 240 D Quicklock; central adaptor WZ-2; 5.00 m | | 623.3013.1 | 1620 |
| | Swan neck | | | |
| 1 | Swan neck RAB GRIP 240 D; 45° bent | | 623.3001.1 | 1009 |
| 1.1 | Outer neck | | 600.2002 | 1095 |
| | Fume shroud | | | |
| 2 | Fume shroud with spring clip (type 24, 240) | | 600.2045.1 | 1602 |
| 2.1 | Fume shroud (funnel) | | 612.0023 | 1602 |
| 2.2 | Spring clip | | 600.2028 | 1095 |
| 3 | Fume shroud with Quicklock (type 24, 240) | | 600.3018.1 | 1602 |
| | Handle RAB GRIP standard | | | |
| 10 | Handle RAB GRIP Standard (feed air slide below) | | 180.0138.1 | 1095 |
| 10.1 | Trigger 2-pole GRIP | | 185.0101 | 9010 |
| 10.2 | | 10 Pcs. | 400.1452.10 | 9010 |
| | Handle RAB GRIP ZO | | | |
| 11 | Handle RAB GRIP ZO (feed air slide on top) | | 180.0144.1 | 1095 |
| 11.1 | | | 400.1631.1 | 1095 |
| 11.2 | | 10 Pcs. | 400.1496.10 | 1095 |

MIG/MAG Fume Extraction Torches RAB GRIP 240 D



| Pos. | Description | Units | Part-No. | Product-group |
|-----------------------|---|----------|-------------|---------------|
| Cable assembly | | | | |
| 41 | Power cable ABIMIG® GRIP / RAB GRIP (PVC) for 3.00 m | | 115.0581 | 1012 |
| 41 | Power cable ABIMIG® GRIP / RAB GRIP (PVC) for 4.00 m | | 115.0582 | 1012 |
| 41 | Power cable ABIMIG® GRIP / RAB GRIP (PVC) for 5.00 m | | 115.0583 | 1012 |
| 42 | Wire conduit RAB GRIP cpl. For 5.00 m | | 154.0002 | 1012 |
| 42 | Wire conduit RAB GRIP cpl. For 3.00 m | | 154.0003 | 1012 |
| 42 | Wire conduit RAB GRIP cpl. For 4.00 m | | 154.0004 | 1012 |
| 43 | Control cable 2-pole | 200 m | 100.0019 | 4050 |
| 44 | Trigger wire connector | 20 Pcs. | 175.0022 | 9010 |
| 46 | Plug | 20 Pcs. | 175.0004 | 9010 |
| 47 | Hose 30 black Ø 4.9x1.5 | 100 m | 109.0040 | 4050 |
| 48 | Hose clamp Ø 8.7 mm | 100 Pcs. | 171.0002 | 9010 |
| 49 | Hose 47 blue Ø 5.5x1.5 | 100 m | 109.0057 | 4050 |
| 49.1 | Code colour ring blue | 20 Pcs. | 501.2167 | 9010 |
| 49.2 | Code colour ring red | 20 Pcs. | 501.2166 | 9010 |
| 50 | Hose 46 red Ø 5.5x1.5 cpl. with plug nipple ND 5; 0.6 m | | 103.0114 | 1095 |
| | Hose 46 red Ø 5.5x1.5 | 100 m | 109.0056 | 4050 |
| 50.1 | | 10 Pcs. | 110.0053.10 | 1095 |
| 51 | Hose clamp Ø 9.0 mm with ring (mark 9.5) | 100 Pcs. | 173.0001 | 9010 |
| 52 | Plug nipple ND 5 mm / Ø 6.0 mm | 20 Pcs. | 501.0114 | 9010 |
| 52.1 | Fastener cap red | 20 Pcs. | 501.2423 | 1095 |
| 52.2 | Fastener cap blue | 20 Pcs. | 501.2424 | 1095 |
| 53 | Hose 34 black LW 38 R | 30 m | 109.0044 | 4050 |
| 54 | Connector RAB GRIP 240 / 501 | | 600.0080 | 1095 |
| 55 | | | 600.3006.1 | 1095 |
| 56 | | | 501.2591.1 | 1095 |

MIG/MAG Fume Extraction Torches RAB GRIP 240 D

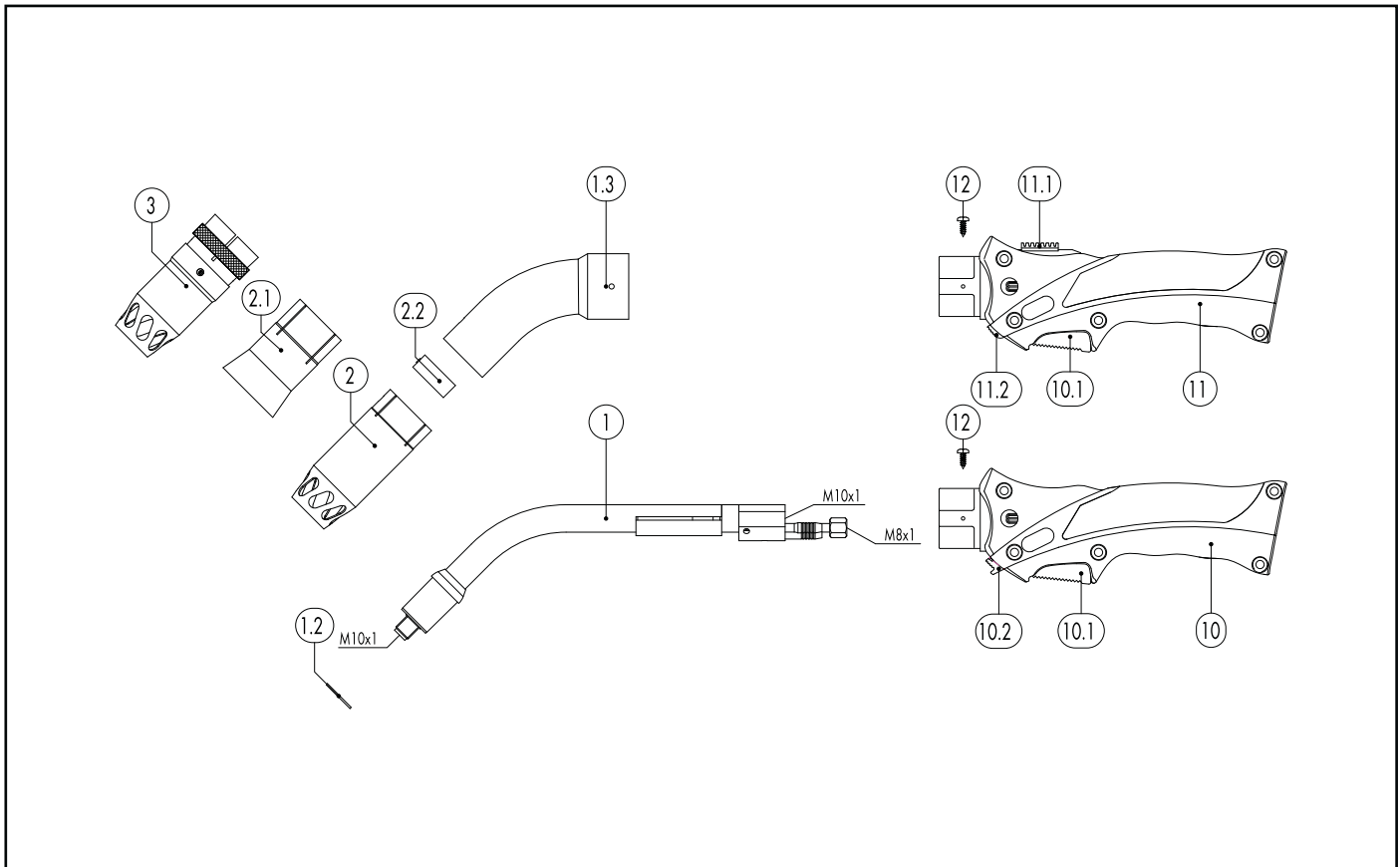


| Pos. | Description | Units | Part-No. | Product-group |
|-------------------|---|---------|----------|---------------|
| 57 | Pan head screw M4x6 | 20 Pcs. | 000.0552 | 9010 |
| 57.1 | Screw cap 1 | 20 Pcs. | 500.0251 | 9010 |
| 58 | Adaptor nut M33x2 | | 500.0213 | 9010 |
| 59 | Central adaptor WZ-2 | | 501.0015 | 9010 |
| 60 | Coupling nut M10x1 | 10 Pcs. | 501.0082 | 9010 |
| 61 | O-Ring 4x1 | 20 Pcs. | 165.0002 | 9010 |
| 62 | Trigger wire connector; female | 20 Pcs. | 175.0003 | 9010 |
| Wear parts | | | | |
| 70 | Gas diffuser, white | 10 Pcs. | 012.0183 | 1032 |
| 70 | Gas diffuser, silicone rubber | 10 Pcs. | 012.0243 | 1032 |
| 80 | Contact tip holder M6; 26.0 mm | 10 Pcs. | 142.0003 | 1033 |
| 81 | Contact tip holder M6; 28.0 mm | 10 Pcs. | 142.0010 | 1033 |
| 90 | Contact tip M6 E-Cu; Ø 0.8 (8x28) | 10 Pcs. | 140.0051 | 1030 |
| 90 | Contact tip M6 E-Cu; Ø 1.0 (8x28) | 10 Pcs. | 140.0242 | 1030 |
| 90 | Contact tip M6 E-Cu; Ø 1.2 (8x28) | 10 Pcs. | 140.0379 | 1030 |
| 90 | Contact tip M6 CuCrZr; Ø 0.8 (8x28) | 10 Pcs. | 140.0054 | 1031 |
| 90 | Contact tip M6 CuCrZr; Ø 1.0 (8x28) | 10 Pcs. | 140.0245 | 1031 |
| 90 | Contact tip M6 CuCrZr; Ø 1.2 (8x28) | 10 Pcs. | 140.0382 | 1031 |
| 90 | Contact tip M6 E-Cu; Ø 0.8 for alu wire (8x28) | 10 Pcs. | 141.0001 | 1030 |
| 90 | Contact tip M6 E-Cu; Ø 1.0 for alu wire (8x28) | 10 Pcs. | 141.0006 | 1030 |
| 90 | Contact tip M6 E-Cu; Ø 1.2 for alu wire (8x28) | 10 Pcs. | 141.0010 | 1030 |
| 90 | Contact tip M6 CuCrZr silver-plated; Ø 0.8 (8x28) | 10 Pcs. | 147.0054 | 1031 |
| 90 | Contact tip M6 CuCrZr silver-plated; Ø 1.0 (8x28) | 10 Pcs. | 147.0245 | 1031 |
| 90 | Contact tip M6 CuCrZr silver-plated; Ø 1.2 (8x28) | 10 Pcs. | 147.0382 | 1031 |
| 100 | Gas nozzle; cylindrical; ND Ø 17.0 | 10 Pcs. | 145.0047 | 1036 |
| 101 | Gas nozzle; conical; ND Ø 12.5 | 10 Pcs. | 145.0080 | 1036 |

MIG/MAG Fume Extraction Torches RAB GRIP 240 D

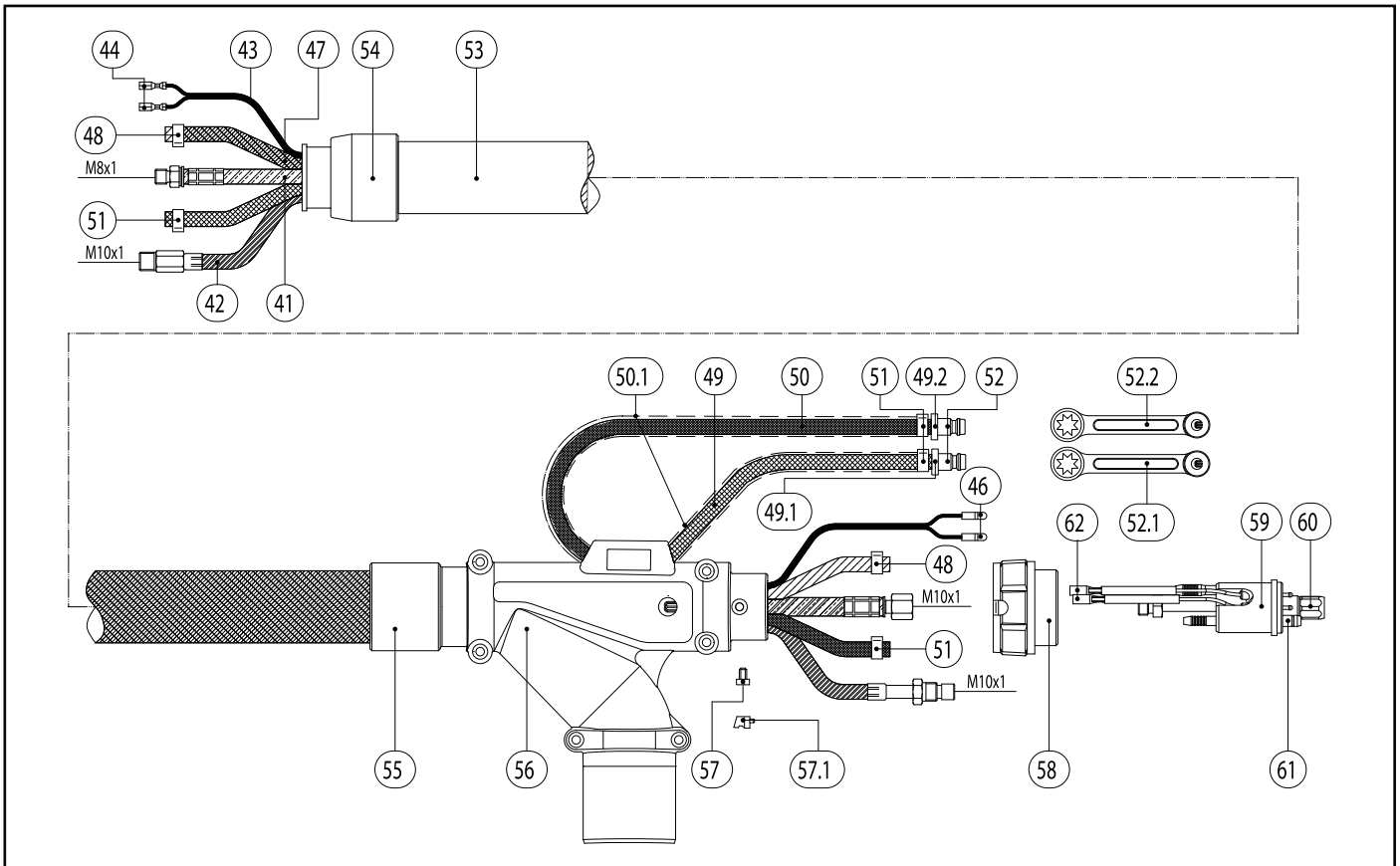
| Pos. | Description | Units | Part-No. | Product-group |
|------|--|---------|----------|---------------|
| 120 | Guide spiral liner blank; 1.5/4.0; for wire Ø 0.8; for 3.00 m | | 122.0005 | 1034 |
| 120 | Guide spiral liner blank; 1.5/4.0; for wire Ø 0.8; for 4.00 m | | 122.0007 | 1034 |
| 120 | Guide spiral liner blank; 1.5/4.0; for wire Ø 0.8; for 5.00 m | | 122.0009 | 1034 |
| 120 | Guide spiral liner blank; 2.0/4.5; for wire Ø 1.0 - 1.2; for 3.00 m | | 122.0031 | 1034 |
| 120 | Guide spiral liner blank; 2.0/4.5; for wire Ø 1.0 - 1.2; for 4.00 m | | 122.0036 | 1034 |
| 120 | Guide spiral liner blank; 2.0/4.5; for wire Ø 1.0 - 1.2; for 5.00 m | | 122.0039 | 1034 |
| 130 | PTFE core liner 1.5/4.0; blue; wire electrode Ø 0.8 - 1.0; for 3.00 m | | 126.0005 | 1034 |
| 130 | PTFE core liner 1.5/4.0; blue; wire electrode Ø 0.8 - 1.0; for 4.00 m | | 126.0008 | 1034 |
| 130 | PTFE core liner 1.5/4.0; blue; wire electrode Ø 0.8 - 1.0; for 5.00 m | | 126.0011 | 1034 |
| 130 | PTFE core liner 2.0/4.0; red; wire electrode Ø 1.0 - 1.2; for 3.00 m | | 126.0021 | 1034 |
| 130 | PTFE core liner 2.0/4.0; red; wire electrode Ø 1.0 - 1.2; for 4.00 m | | 126.0026 | 1034 |
| 130 | PTFE core liner 2.0/4.0; red; wire electrode Ø 1.0 - 1.2; for 5.00 m | | 126.0028 | 1034 |
| 130 | PTFE carbon core liner 1.5/4.0; wire electrode Ø 0.8 - 1.0; for 3.00 m | | 127.0002 | 1034 |
| 130 | PTFE carbon core liner 1.5/4.0; wire electrode Ø 0.8 - 1.0; for 4.00 m | | 127.0003 | 1034 |
| 130 | PTFE carbon core liner 1.5/4.0; wire electrode Ø 0.8 - 1.0; for 5.00 m | | 127.0004 | 1034 |
| 130 | PTFE carbon core liner 2.0/4.0; wire electrode Ø 1.0 - 1.2; for 3.00 m | | 127.0005 | 1034 |
| 130 | PTFE carbon core liner 2.0/4.0; wire electrode Ø 1.0 - 1.2; for 4.00 m | | 127.0007 | 1034 |
| 130 | PTFE carbon core liner 2.0/4.0; wire electrode Ø 1.0 - 1.2; for 5.00 m | | 127.0008 | 1034 |
| 131 | Nipple for core liner at Ø 4.0 | 20 Pcs. | 131.0001 | 1095 |
| 132 | O-Ring 3.5x1.5 | 20 Pcs. | 165.0008 | 9010 |
| 133 | Guide tube for core liners up to Ø 4.0 (200 mm) | 10 Pcs. | 129.0461 | 1095 |
| 140 | Combined wire guide cpl. polyamide/brass; wire Ø 1.0 - 1.2; for 3.00 m | | 128.M002 | 1034 |
| 140 | Combined wire guide cpl. polyamide/brass; wire Ø 1.0 - 1.2; for 4.00 m | | 128.M003 | 1034 |
| 140 | Combined wire guide cpl. polyamide/brass; wire Ø 1.0 - 1.2; for 5.00 m | | 128.M004 | 1034 |
| 141 | Brass spiral made up with sleeve (200 mm) | 10 Pcs. | 001.0305 | 1095 |
| 200 | Spanner Standard | | 191.0001 | 9010 |
| | | | | |
| | | | | |
| | | | | |
| | | | | |
| | | | | |
| | | | | |
| | | | | |
| | | | | |
| | | | | |
| | | | | |
| | | | | |
| | | | | |
| | | | | |
| | | | | |
| | | | | |
| | | | | |
| | | | | |
| | | | | |
| | | | | |
| | | | | |

MIG/MAG Fume Extraction Torches RAB GRIP 501 / 501 D



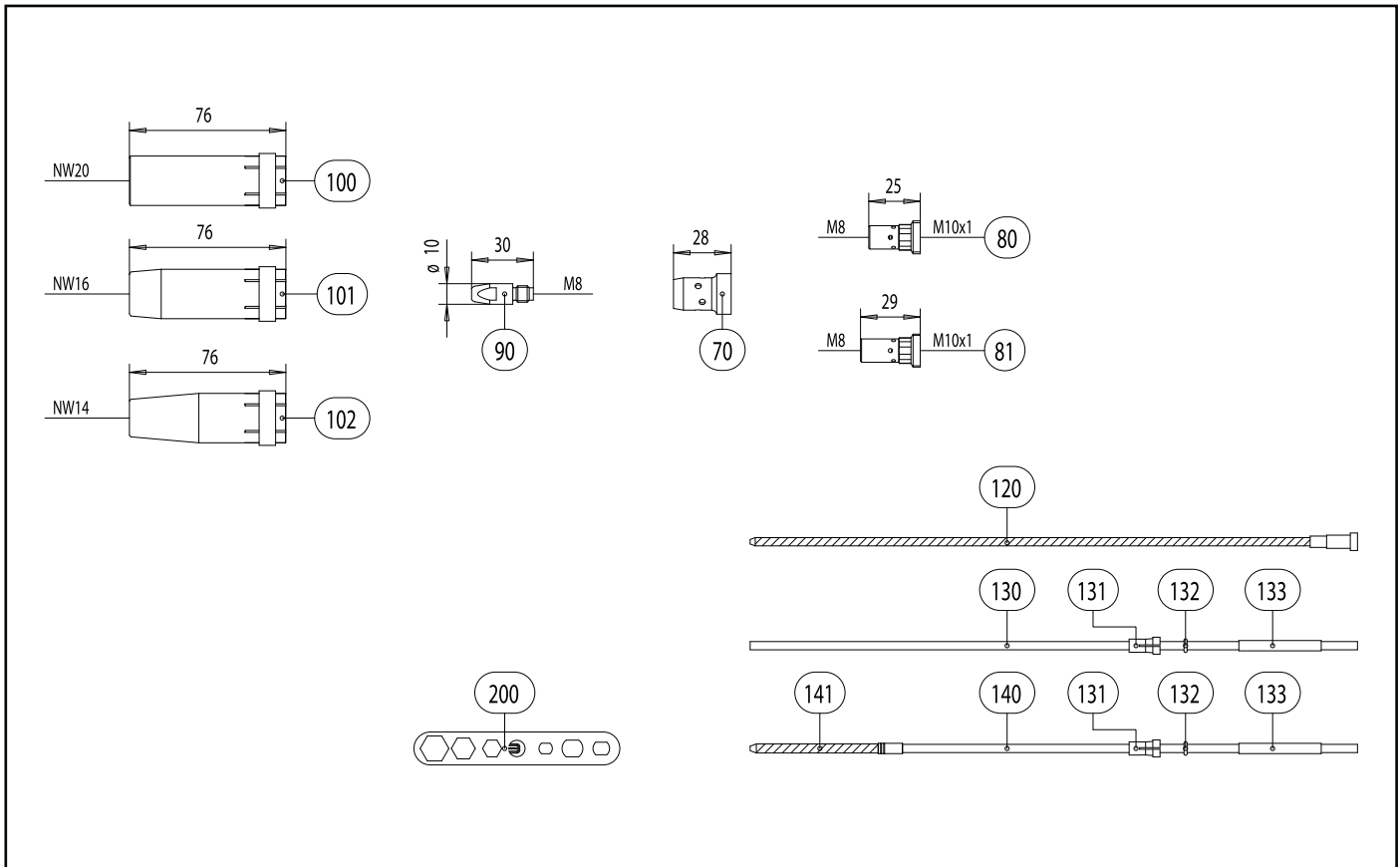
| Pos. | Description | Units | Part-No. | Product-group |
|------|--|---------|------------|---------------|
| | Torch D (Suction nozzle with spring clip, feed air slide below) | | | |
| | RAB GRIP 501 D; central adaptor WZ-2; 3.00 m | | 634.3003.1 | 1620 |
| | RAB GRIP 501 D; central adaptor WZ-2; 4.00 m | | 634.3004.1 | 1620 |
| | RAB GRIP 501 D; central adaptor WZ-2; 5.00 m | | 634.3005.1 | 1620 |
| | Torch (Suction nozzle with spring clip, feed air slide below) | | | |
| | RAB GRIP 501; central adaptor WZ-2; 3.00 m | | 632.3003.1 | 1620 |
| | RAB GRIP 501; central adaptor WZ-2; 4.00 m | | 632.3004.1 | 1620 |
| | RAB GRIP 501; central adaptor WZ-2; 5.00 m | | 632.3005.1 | 1620 |
| | Torch D (Suction nozzle with Quicklock, feed air slide on top) | | | |
| | RAB GRIP 501 D Quicklock; central adaptor WZ-2; 3.00 m | | 634.3030.1 | 1620 |
| | RAB GRIP 501 D Quicklock; central adaptor WZ-2; 4.00 m | | 634.3031.1 | 1620 |
| | RAB GRIP 501 D Quicklock; central adaptor WZ-2; 5.00 m | | 634.3032.1 | 1620 |
| | Torch (Suction nozzle with Quicklock, feed air slide on top) | | | |
| | RAB GRIP 501 Quicklock; central adaptor WZ-2; 3.00 m | | 632.3015.1 | 1620 |
| | RAB GRIP 501 Quicklock; central adaptor WZ-2; 4.00 m | | 632.3016.1 | 1620 |
| | RAB GRIP 501 Quicklock; central adaptor WZ-2; 5.00 m | | 632.3017.1 | 1620 |
| | Swan neck (D-Version) | | | |
| 1 | Swan neck RAB GRIP 501 D; 45j bent | | 634.3001.1 | 1009 |
| 1.2 | Insulator | 20 Pcs. | 030.0019 | 1095 |
| 1.3 | Outer neck | | 600.2002 | 1095 |
| | Swan neck | | | |
| | Swan neck RAB GRIP 501; 45j bent | | 632.3001.1 | 1009 |
| | Insulator | 20 Pcs. | 030.0019 | 1095 |
| | Outer neck RAB 501 | | 632.2009 | 1095 |
| | Fume shroud | | | |
| 2 | Fume shroud with spring clip (type 36, 501) | | 600.2044.1 | 1602 |

MIG/MAG Fume Extraction Torches RAB GRIP 501 / 501 D



| Pos. | Description | Units | Part-No. | Product-group |
|---------------------------------|--|----------|-------------|---------------|
| 2.1 | Fume shroud (funnel) | | 612.0023 | 1602 |
| 2.2 | Spring clip | | 600.2028 | 1095 |
| 3 | Fume shroud with Quicklock (type 36, 501) | | 600.3009.1 | 1602 |
| Handle RAB GRIP standard | | | | |
| 10 | Handle RAB GRIP Standard (feed air slide below) | | 180.0138.1 | 1095 |
| 10.1 | Trigger 2-pole GRIP | | 185.0101 | 9010 |
| 10.2 | | 10 Pcs. | 400.1452.10 | 9010 |
| Handle RAB GRIP ZO | | | | |
| 11 | Handle RAB GRIP ZO (feed air slide on top) | | 180.0144.1 | 1095 |
| 11.1 | | | 400.1631.1 | 1095 |
| 11.2 | | 10 Pcs. | 400.1496.10 | 1095 |
| Cable assembly | | | | |
| 41 | Power cable ABIMIG® GRIP / RAB GRIP (PVC) for 3.00 m | | 115.0581 | 1012 |
| 41 | Power cable ABIMIG® GRIP / RAB GRIP (PVC) for 4.00 m | | 115.0582 | 1012 |
| 41 | Power cable ABIMIG® GRIP / RAB GRIP (PVC) for 5.00 m | | 115.0583 | 1012 |
| 42 | Wire conduit RAB GRIP cpl. For 5.00 m | | 154.0002 | 1012 |
| 42 | Wire conduit RAB GRIP cpl. For 3.00 m | | 154.0003 | 1012 |
| 42 | Wire conduit RAB GRIP cpl. For 4.00 m | | 154.0004 | 1012 |
| 43 | Control cable 2-pole | 200 m | 100.0019 | 4050 |
| 44 | Trigger wire connector | 20 Pcs. | 175.0022 | 9010 |
| 46 | Plug | 20 Pcs. | 175.0004 | 9010 |
| 47 | Hose 30 black ~ 4.9x1.5 | 100 m | 109.0040 | 4050 |
| 48 | Hose clamp ~ 8.7 mm | 100 Pcs. | 171.0002 | 9010 |
| 49 | Hose 47 blue ~ 5.5x1.5 | 100 m | 109.0057 | 4050 |
| 49.1 | Code colour ring blue | 20 Pcs. | 501.2167 | 9010 |
| 49.2 | Code colour ring red | 20 Pcs. | 501.2166 | 9010 |

MIG/MAG Fume Extraction Torches RAB GRIP 501 / 501 D



| Pos. | Description | Units | Part-No. | Product-group |
|------|---|----------|-------------|---------------|
| 50 | Hose 46 red - 5.5x1.5 cpl. with plug nipple ND 5; 0.6 m | | 103.0114 | 1095 |
| | Hose 46 red - 5.5x1.5 | 100 m | 109.0056 | 4050 |
| 50.1 | | 10 Pcs. | 110.0053.10 | 1095 |
| 51 | Hose clamp - 9.0 mm with ring (mark 9.5) | 100 Pcs. | 173.0001 | 9010 |
| 52 | Plug nipple ND 5 mm / - 6.0 mm | 20 Pcs. | 501.0114 | 9010 |
| 52.1 | Fastener cap red | 20 Pcs. | 501.2423 | 1095 |
| 52.2 | Fastener cap blue | 20 Pcs. | 501.2424 | 1095 |
| 53 | Hose 34 black LW 38 R | 30 m | 109.0044 | 4050 |
| 54 | Connector RAB GRIP 240 / 501 | | 600.0080 | 1095 |
| 55 | | | 600.3006.1 | 1095 |
| 56 | | | 501.2591.1 | 1095 |
| 57 | Pan head screw M4x6 | 20 Pcs. | 000.0552 | 9010 |
| 57.1 | Screw cap 1 | 20 Pcs. | 500.0251 | 9010 |
| 58 | Adaptor nut M33x2 | | 500.0213 | 9010 |
| 59 | Central adaptor WZ-2 | | 501.0015 | 9010 |
| 60 | Coupling nut M10x1 | 10 Pcs. | 501.0082 | 9010 |
| 61 | O-Ring 4x1 | 20 Pcs. | 165.0002 | 9010 |
| 62 | Trigger wire connector; female | 20 Pcs. | 175.0003 | 9010 |
| | Wear parts RAB GRIP 501 / 501 D | | | |
| 70 | Gas diffuser, white | 10 Pcs. | 030.0145 | 1032 |
| 70 | Gas diffuser, long life | 10 Pcs. | 030.0037 | 1032 |
| 70 | Gas diffuser, ceramic | 10 Pcs. | 030.0190 | 1032 |
| | Wear parts RAB GRIP 501 D | | | |
| 80 | Contact tip holder M8; 25.0 mm (short) | 10 Pcs. | 142.0022 | 1033 |
| 81 | Contact tip holder M8; 29.0 mm (long) | 10 Pcs. | 142.0027 | 1033 |

MIG/MAG Fume Extraction Torches RAB GRIP 501 / 501 D

| Pos. | Description | Units | Part-No. | Product-group |
|------|---|---------|----------|---------------|
| | Wear parts RAB GRIP 501 / 501 D | | | |
| 90 | Contact tip M8 E-Cu; $\bar{\text{r}}$ 1.0 (10x30) | 10 Pcs. | 140.0313 | 1030 |
| 90 | Contact tip M8 E-Cu; $\bar{\text{r}}$ 1.2 (10x30) | 10 Pcs. | 140.0442 | 1030 |
| 90 | Contact tip M8 E-Cu; $\bar{\text{r}}$ 1.6 (10x30) | 10 Pcs. | 140.0587 | 1030 |
| 90 | Contact tip M8 CuCrZr; $\bar{\text{r}}$ 1.0 (10x30) | 10 Pcs. | 140.0316 | 1031 |
| 90 | Contact tip M8 CuCrZr; $\bar{\text{r}}$ 1.2 (10x30) | 10 Pcs. | 140.0445 | 1031 |
| 90 | Contact tip M8 CuCrZr; $\bar{\text{r}}$ 1.6 (10x30) | 10 Pcs. | 140.0590 | 1031 |
| 90 | Contact tip M8 E-Cu; $\bar{\text{r}}$ 1.0 for alu wire (10x30) | 10 Pcs. | 141.0008 | 1030 |
| 90 | Contact tip M8 E-Cu; $\bar{\text{r}}$ 1.2 for alu wire (10x30) | 10 Pcs. | 141.0015 | 1030 |
| 90 | Contact tip M8 E-Cu; $\bar{\text{r}}$ 1.6 for alu wire (10x30) | 10 Pcs. | 141.0022 | 1030 |
| 90 | Contact tip M8 CuCrZr silver-plated; $\bar{\text{r}}$ 1.0 (10x30) | 10 Pcs. | 147.0316 | 1031 |
| 90 | Contact tip M8 CuCrZr silver-plated; $\bar{\text{r}}$ 1.2 (10x30) | 10 Pcs. | 147.0445 | 1031 |
| 90 | Contact tip M8 CuCrZr silver-plated; $\bar{\text{r}}$ 1.6 (10x30) | 10 Pcs. | 147.0590 | 1031 |
| 100 | Gas nozzle; cylindrical; ND $\bar{\text{r}}$ 20.0 | 10 Pcs. | 145.0051 | 1037 |
| 101 | Gas nozzle; conical; ND $\bar{\text{r}}$ 16.0 | 10 Pcs. | 145.0085 | 1037 |
| 102 | Gas nozzle; tapered; ND $\bar{\text{r}}$ 14.0 | 10 Pcs. | 145.0132 | 1037 |
| 120 | Guide spiral liner blank; 2.0/4.5; for wire $\bar{\text{r}}$ 1.0 - 1.2; for 3.00 m | | 122.0031 | 1034 |
| 120 | Guide spiral liner blank; 2.0/4.5; for wire $\bar{\text{r}}$ 1.0 - 1.2; for 4.00 m | | 122.0036 | 1034 |
| 120 | Guide spiral liner blank; 2.0/4.5; for wire $\bar{\text{r}}$ 1.0 - 1.2; for 5.00 m | | 122.0039 | 1034 |
| 120 | Guide spiral liner blank; 2.5/4.5; for wire $\bar{\text{r}}$ 1.6; for 3.00 m | | 122.0056 | 1034 |
| 120 | Guide spiral liner blank; 2.5/4.5; for wire $\bar{\text{r}}$ 1.6; for 4.00 m | | 122.0060 | 1034 |
| 120 | Guide spiral liner blank; 2.5/4.5; for wire $\bar{\text{r}}$ 1.6; for 5.00 m | | 122.0063 | 1034 |
| 130 | PTFE core liner 2.0/4.0; red; wire electrode $\bar{\text{r}}$ 1.0 - 1.2; for 3.00 m | | 126.0021 | 1034 |
| 130 | PTFE core liner 2.0/4.0; red; wire electrode $\bar{\text{r}}$ 1.0 - 1.2; for 4.00 m | | 126.0026 | 1034 |
| 130 | PTFE core liner 2.0/4.0; red; wire electrode $\bar{\text{r}}$ 1.0 - 1.2; for 5.00 m | | 126.0028 | 1034 |
| 130 | PTFE core liner 2.7/4.7; yellow; wire electrode $\bar{\text{r}}$ 1.6; for 3.00 m | | 126.0039 | 1034 |
| 130 | PTFE core liner 2.7/4.7; yellow; wire electrode $\bar{\text{r}}$ 1.6; for 4.00 m | | 126.0042 | 1034 |
| 130 | PTFE core liner 2.7/4.7; yellow; wire electrode $\bar{\text{r}}$ 1.6; for 5.00 m | | 126.0045 | 1034 |
| 130 | PTFE carbon core liner 2.0/4.0; wire electrode $\bar{\text{r}}$ 1.0 - 1.2; for 3.00 m | | 127.0005 | 1034 |
| 130 | PTFE carbon core liner 2.0/4.0; wire electrode $\bar{\text{r}}$ 1.0 - 1.2; for 4.00 m | | 127.0007 | 1034 |
| 130 | PTFE carbon core liner 2.0/4.0; wire electrode $\bar{\text{r}}$ 1.0 - 1.2; for 5.00 m | | 127.0008 | 1034 |
| 130 | PTFE carbon core liner 2.7/4.7; wire electrode $\bar{\text{r}}$ 1.6; for 3.00 m | | 127.0010 | 1034 |
| 130 | PTFE carbon core liner 2.7/4.7; wire electrode $\bar{\text{r}}$ 1.6; for 4.00 m | | 127.0012 | 1034 |
| 130 | PTFE carbon core liner 2.7/4.7; wire electrode $\bar{\text{r}}$ 1.6; for 5.00 m | | 127.0013 | 1034 |
| 131 | Nipple for core liner at $\bar{\text{r}}$ 4.0 | 20 Pcs. | 131.0001 | 1095 |
| 131 | Nipple for core liner at $\bar{\text{r}}$ 4.7 | 20 Pcs. | 131.0002 | 1095 |
| 132 | O-Ring 3.5x1.5 | 20 Pcs. | 165.0008 | 9010 |
| 133 | Guide tube for core liners up to $\bar{\text{r}}$ 4.0 (200 mm) | 10 Pcs. | 129.0461 | 1095 |
| 140 | Combined wire guide cpl. polyamide/brass; wire $\bar{\text{r}}$ 1.0 - 1.2; for 3.00 m | | 128.M002 | 1034 |
| 140 | Combined wire guide cpl. polyamide/brass; wire $\bar{\text{r}}$ 1.0 - 1.2; for 4.00 m | | 128.M003 | 1034 |
| 140 | Combined wire guide cpl. polyamide/brass; wire $\bar{\text{r}}$ 1.0 - 1.2; for 5.00 m | | 128.M004 | 1034 |
| 141 | Brass spiral made up with sleeve (200 mm) | 10 Pcs. | 001.0305 | 1095 |
| 200 | Spanner Standard | | 191.0001 | 9010 |
| | | | | |
| | | | | |
| | | | | |