

Torçe MIG/MAG "MB GRIP" aria

Duty Cycle da 220 A fino a 320 A

- L'impugnatura ergonomica "GRIP" corta, per un migliore accesso
- "GRIP", con componenti morbidi e punto di alloggiamento per riposo del pollice, maneggevole anche in condizioni estreme
- Giunto a snodo, con raggio ottimale - perfetta maneggevolezza
- L'ottimo sistema di raffreddamento della torcia - aumenta la vita della stessa
- Le torçe ad aria BIKOX® R - ad alta flessibilità anche a basse temperature, resistenti ai raggi UV, maggior stabilità alle alte temperature e alla trazione
- Cambio torcia rapido grazie al connettore centralizzato ABICOR BINZEL

MB GRIP 24 KD

Dati tecnici (EN 60 974-7):

Classificazione: 250 A CO₂
220 A Miscela Gas M21 (DIN EN 439)

Duty cycle: 60%

Diametro filo: 0.8 - 1.2 mm

MB GRIP 26 KD

Dati tecnici (EN 60 974-7):

Classificazione: 270 A CO₂
240 A Miscela Gas M21 (DIN EN 439)

Duty cycle: 60%

Diametro filo: 0.8 - 1.2 mm

MB GRIP 36 KD

Dati tecnici (EN 60 974-7):

Classificazione: 320 A CO₂
290 A Miscela Gas M21 (DIN EN 439)

Duty cycle: 60%

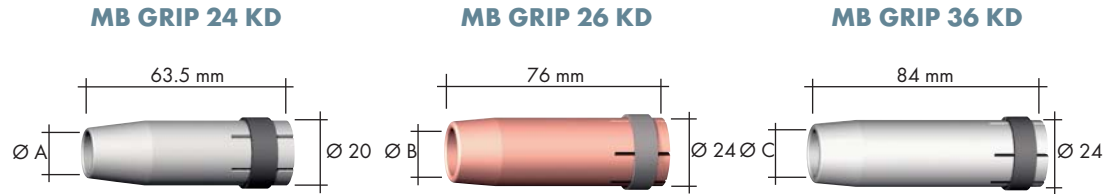
Diametro filo: 0.8 - 1.2 mm



Torcia completa Modello	Impugnatura	n° Cod.			Mod.	Lancia n° cod.
		3 m	4 m	5 m		
MB GRIP 24 KD	Tipo MB	012.0251	012.0252	012.0253	50°	012.0001
MB GRIP 26 KD	Tipo MB	018.0146	018.0147	018.0148	50°	018.0001
MB GRIP 36 KD	Tipo MB	014.0334	014.0335	014.0336	50°	014.0006

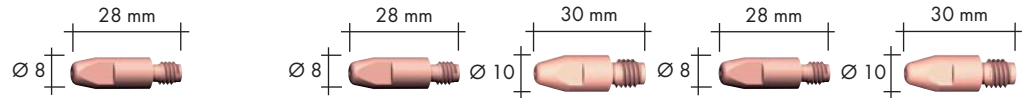
MB GRIP 24, MB GRIP 26, MB GRIP 36

Consumabili



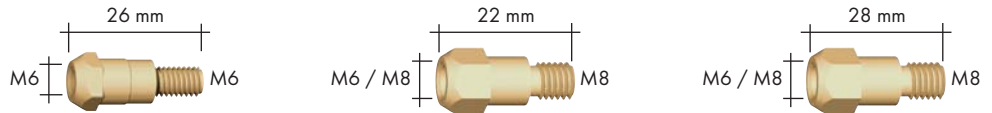
Ug.gas (10 pcs.)

	Ø A		Ø B		Ø C	
Cilindrico	Ø 17	145.0047	Ø 20	145.0051	Ø 19	145.0045
Conico	Ø 12.5	145.0080	Ø 16	145.0085	Ø 16	145.0078
Conico	Ø 10	145.0128	Ø 14	145.0132	Ø 12	145.0126



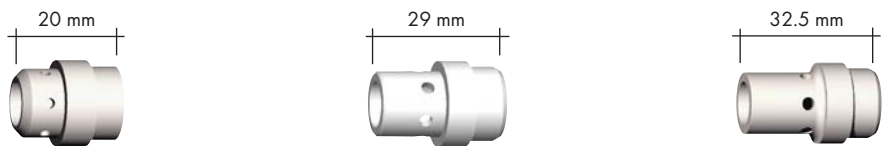
Ug.p.corr. (10 pcs.)

		M6	M6	M8	M6	M8
E-Cu	Ø 0.8	140.0051	140.0051	140.0114	140.0051	140.0114
	Ø 1.0	140.0242	140.0242	140.0313	140.0242	140.0313
	Ø 1.2	140.0379	140.0379	140.0442	140.0379	140.0442
E-Cu per Al	Ø 0.8	141.0001	141.0001	141.0003	141.0001	141.0003
	Ø 1.0	141.0006	141.0006	141.0008	141.0006	141.0008
	Ø 1.2	141.0010	141.0010	141.0015	141.0010	141.0015
CuCrZr	Ø 0.8	140.0054	140.0054	140.0117	140.0054	140.0117
	Ø 1.0	140.0245	140.0245	140.0316	140.0245	140.0316
	Ø 1.2	140.0382	140.0382	140.0445	140.0382	140.0445



Supp.ug.p.corr. (10 pcs.)

	M6	M6 / M8	M6 / M8
M6	142.0003	142.0007	142.0005
M8	-	142.0082	142.0020



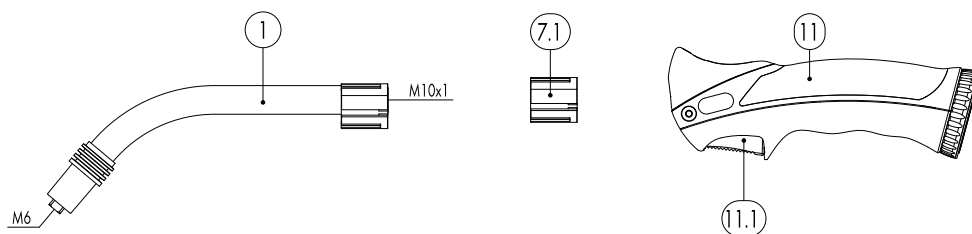
Diffusore gas (10 pcs.)

	012.0183	018.0116	014.0261
Standard	012.0183	018.0116	014.0261
Long life	-	-	014.0026
Ceramico	-	018.0141	014.0023

Guaine		per 3 m	per 4 m	per 5 m
isolate	Ø 0.8	124.0011	124.0012	124.0015
	Ø 1.0	124.0026	124.0031	124.0035
	Ø 1.2	124.0026	124.0031	124.0035
PTFE	Ø 0.8	126.0005	126.0008	126.0011
	Ø 1.0	126.0021	126.0026	126.0028
	Ø 1.2	126.0021	126.0026	126.0028
grafite	Ø 0.8	127.0002	127.0003	127.0004
	Ø 1.0	127.0005	127.0007	127.0008
	Ø 1.2	127.0005	127.0007	127.0008

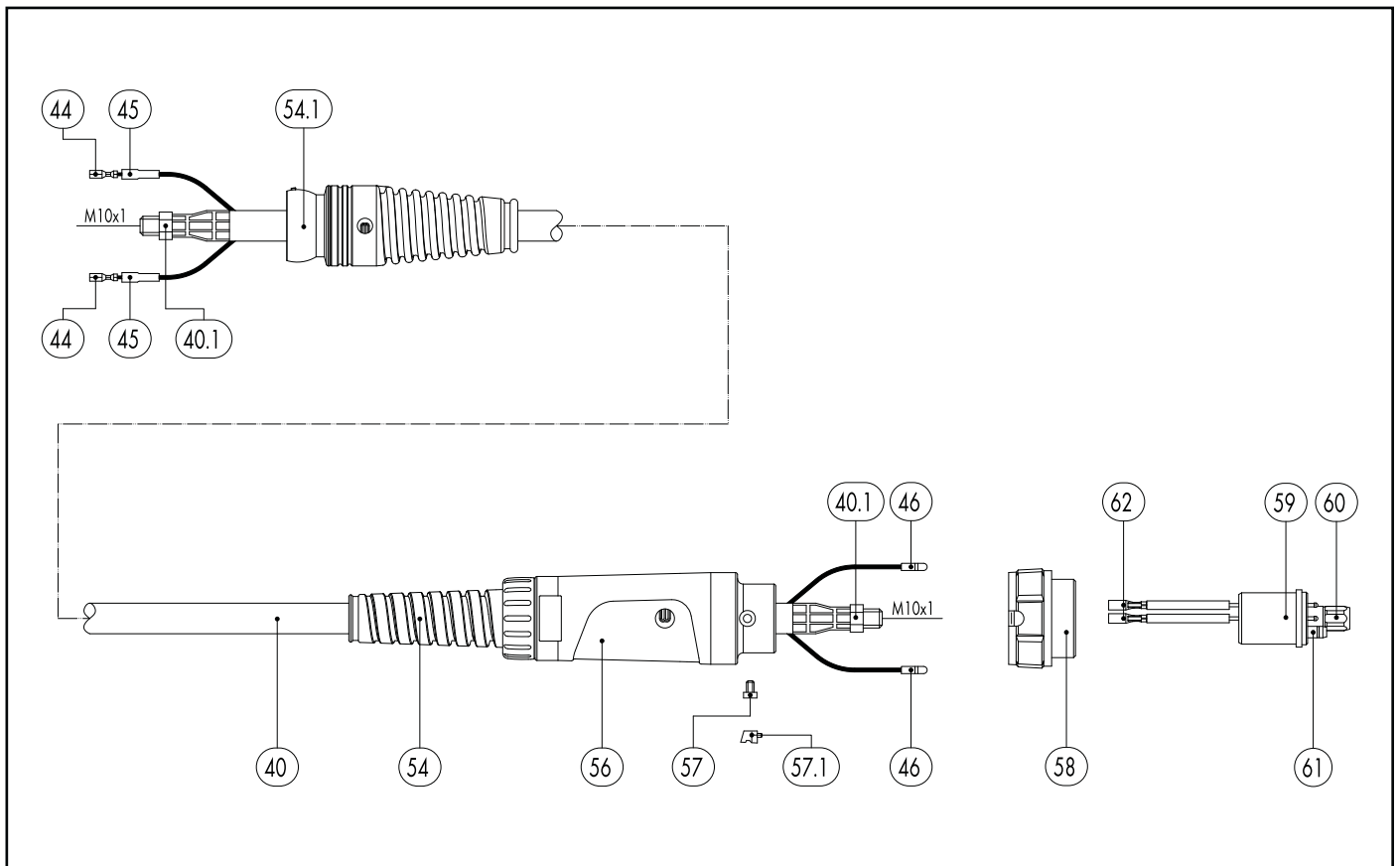


MIG/MAG Welding Torches MB GRIP 24 KD



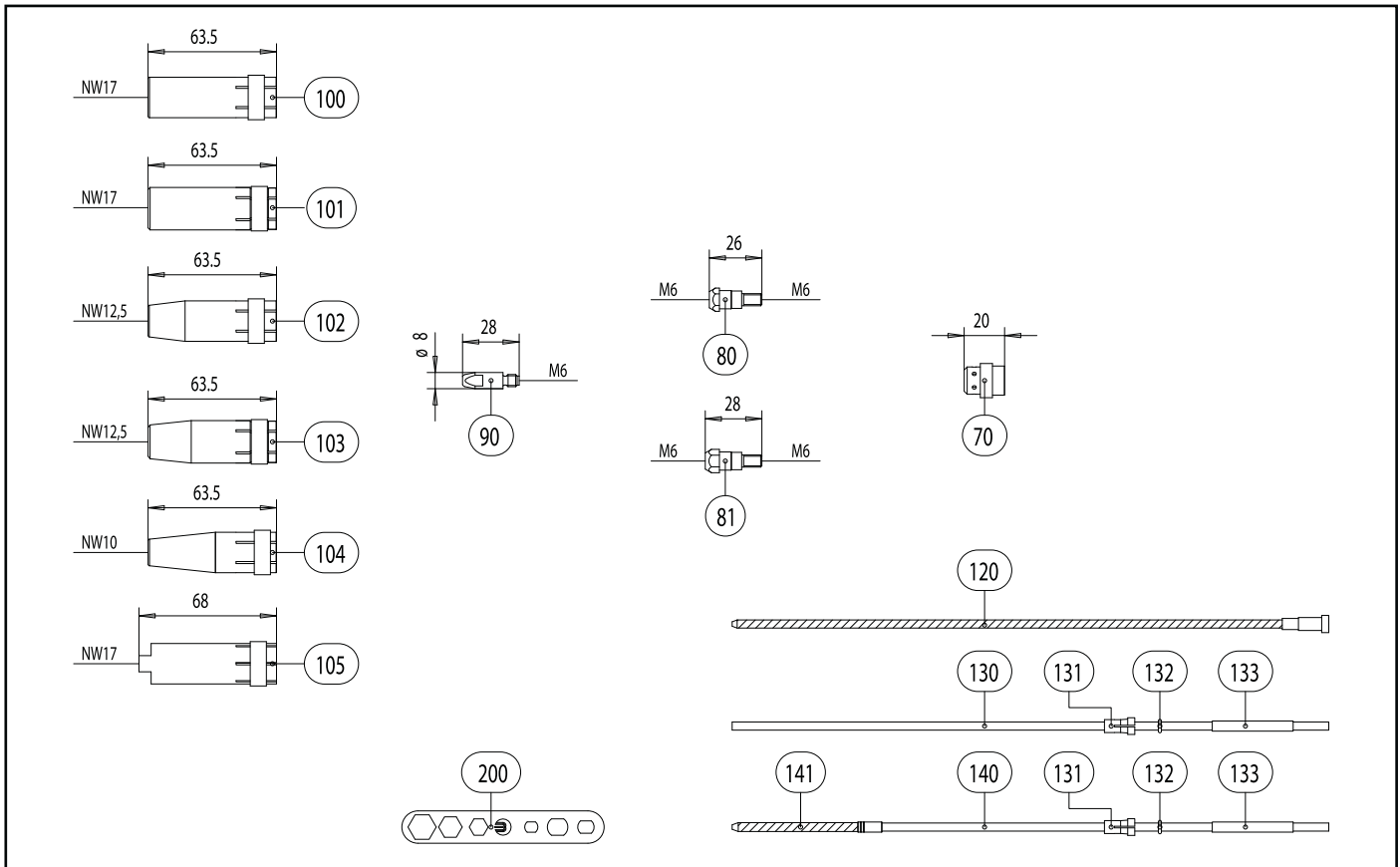
Pos.	Description	Units	Part-No.	Product-group
Torch				
	MB 24 KD GRIP; central adaptor KZ-2; 3.00 m		012.0251	1008
	MB 24 KD GRIP; central adaptor KZ-2; 4.00 m		012.0252	1008
	MB 24 KD GRIP; central adaptor KZ-2; 5.00 m		012.0253	1008
Swan neck				
1	Swan neck MB 24 KD; 50j bent		012.0001	1007
1.3	Swan neck AUT 24 KD; straight		912.0001	1050
7.1	Torch body plastic GRIP		400.0044	1095
Handle GRIP				
11	Handle GRIP with trigger cpl.		180.0127	1095
11.1	Trigger 2-pole GRIP		185.0101	9010
Cable assembly				
40	Bikox [®] R-power cable MB GRIP / ABIMIG [®] , R6 for 3.00 m		160.D430	1511
40	Bikox [®] R-power cable MB GRIP / ABIMIG [®] , R6 for 4.00 m		160.D431	1511
40	Bikox [®] R-power cable MB GRIP / ABIMIG [®] , R6 for 5.00 m		160.D432	1511
	Outer cover rubber ~ 20x1.5	40 m	105.0005	4050
40.1	Hexagon nut M10x1	10 Pcs.	001.0009	9010
44	Trigger wire connector	20 Pcs.	175.0022	9010
45	Insulating sleeve	20 Pcs.	400.0119	1095
46	Plug	20 Pcs.	175.0004	9010
54	Cable support ND 19		400.1010	1095
54.1	Ball joint cable protection MB GRIP (air cooled)		400.1395.1	1095
56	Cable support machine side		501.2248	9010
57	Pan head screw M4x6	20 Pcs.	000.0552	9010
57.1	Screw cap 1	20 Pcs.	500.0251	9010
58	Adaptor nut M33x2		500.0213	9010

MIG/MAG Welding Torches MB GRIP 24 KD



Pos.	Description	Units	Part-No.	Product-group
59	Central adaptor KZ-2		501.0003	1095
60	Coupling nut M10x1	10 Pcs.	501.0082	9010
61	O-Ring 4x1	20 Pcs.	165.0002	9010
62	Trigger wire connector; female	20 Pcs.	175.0003	9010
Wear parts				
70	Gas diffuser, white	10 Pcs.	012.0183	1032
70	Gas diffuser, silicone rubber	10 Pcs.	012.0243	1032
80	Contact tip holder M6; 26.0 mm	10 Pcs.	142.0003	1033
81	Contact tip holder M6; 28.0 mm	10 Pcs.	142.0010	1033
90	Contact tip M6 E-Cu; - 0.8 (8x28)	10 Pcs.	140.0051	1030
90	Contact tip M6 E-Cu; - 1.0 (8x28)	10 Pcs.	140.0242	1030
90	Contact tip M6 E-Cu; - 1.2 (8x28)	10 Pcs.	140.0379	1030
90	Contact tip M6 CuCrZr; - 0.8 (8x28)	10 Pcs.	140.0054	1031
90	Contact tip M6 CuCrZr; - 1.0 (8x28)	10 Pcs.	140.0245	1031
90	Contact tip M6 CuCrZr; - 1.2 (8x28)	10 Pcs.	140.0382	1031
90	Contact tip M6 E-Cu; - 0.8 for alu wire (8x28)	10 Pcs.	141.0001	1030
90	Contact tip M6 E-Cu; - 1.0 for alu wire (8x28)	10 Pcs.	141.0006	1030
90	Contact tip M6 E-Cu; - 1.2 for alu wire (8x28)	10 Pcs.	141.0010	1030
90	Contact tip M6 CuCrZr silver-plated; - 0.8 (8x28)	10 Pcs.	147.0054	1031
90	Contact tip M6 CuCrZr silver-plated; - 1.0 (8x28)	10 Pcs.	147.0245	1031
90	Contact tip M6 CuCrZr silver-plated; - 1.2 (8x28)	10 Pcs.	147.0382	1031
100	Gas nozzle; cylindrical; ND - 17.0	10 Pcs.	145.0047	1036
101	Gas nozzle; cylindrical; heavy duty; ND - 17.0	10 Pcs.	145.0062	1036
102	Gas nozzle; conical; ND - 12.5	10 Pcs.	145.0080	1036
103	Gas nozzle; conical; heavy duty; ND - 12.5	10 Pcs.	145.0101	1036
104	Gas nozzle; tapered; ND - 10.0	10 Pcs.	145.0128	1036

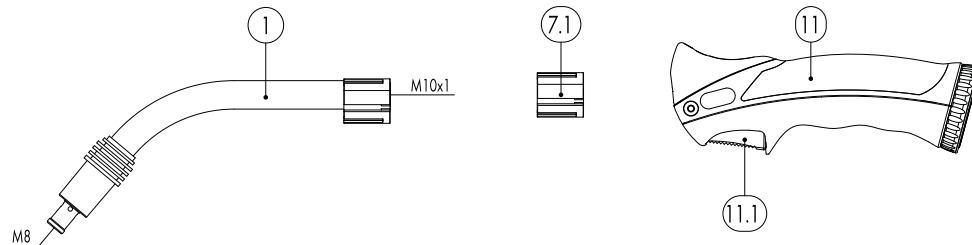
MIG/MAG Welding Torches MB GRIP 24 KD



Pos. Description

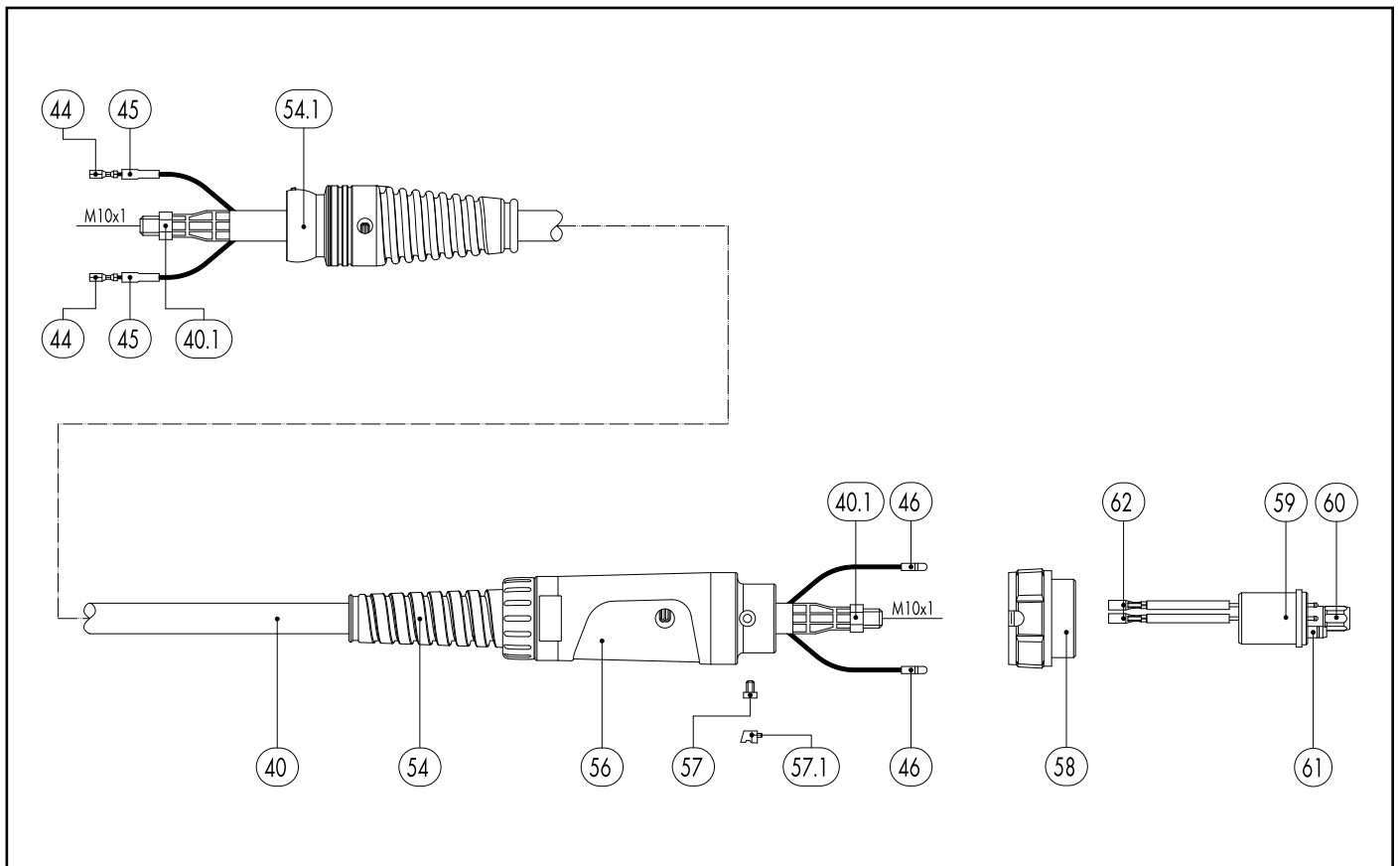
Pos.	Description	Units	Part-No.	Product-group
105	Spot weld gas nozzle; ND $\bar{\text{17.0}}$	10 Pcs.	145.0174	1036
120	Guide spiral liner insulated; 1.5/4.5; blue; for wire $\bar{\text{0.6 - 0.8}}$; for 3.00 m		124.0011	1034
120	Guide spiral liner insulated; 1.5/4.5; blue; for wire $\bar{\text{0.6 - 0.8}}$; for 4.00 m		124.0012	1034
120	Guide spiral liner insulated; 1.5/4.5; blue; for wire $\bar{\text{0.6 - 0.8}}$; for 5.00 m		124.0015	1034
120	Guide spiral liner insulated; 2.0/4.5; red; for wire $\bar{\text{1.0 - 1.2}}$; for 3.00 m		124.0026	1034
120	Guide spiral liner insulated; 2.0/4.5; red; for wire $\bar{\text{1.0 - 1.2}}$; for 4.00 m		124.0031	1034
120	Guide spiral liner insulated; 2.0/4.5; red; for wire $\bar{\text{1.0 - 1.2}}$; for 5.00 m		124.0035	1034
130	PTFE core liner 1.5/4.0; blue; wire electrode $\bar{\text{0.8 - 1.0}}$; for 3.00 m		126.0005	1034
130	PTFE core liner 1.5/4.0; blue; wire electrode $\bar{\text{0.8 - 1.0}}$; for 4.00 m		126.0008	1034
130	PTFE core liner 1.5/4.0; blue; wire electrode $\bar{\text{0.8 - 1.0}}$; for 5.00 m		126.0011	1034
130	PTFE core liner 2.0/4.0; red; wire electrode $\bar{\text{1.0 - 1.2}}$; for 3.00 m		126.0021	1034
130	PTFE core liner 2.0/4.0; red; wire electrode $\bar{\text{1.0 - 1.2}}$; for 4.00 m		126.0026	1034
130	PTFE core liner 2.0/4.0; red; wire electrode $\bar{\text{1.0 - 1.2}}$; for 5.00 m		126.0028	1034
130	PTFE carbon core liner 1.5/4.0; wire electrode $\bar{\text{0.8 - 1.0}}$; for 3.00 m		127.0002	1034
130	PTFE carbon core liner 1.5/4.0; wire electrode $\bar{\text{0.8 - 1.0}}$; for 4.00 m		127.0003	1034
130	PTFE carbon core liner 1.5/4.0; wire electrode $\bar{\text{0.8 - 1.0}}$; for 5.00 m		127.0004	1034
130	PTFE carbon core liner 2.0/4.0; wire electrode $\bar{\text{1.0 - 1.2}}$; for 3.00 m		127.0005	1034
130	PTFE carbon core liner 2.0/4.0; wire electrode $\bar{\text{1.0 - 1.2}}$; for 4.00 m		127.0007	1034
130	PTFE carbon core liner 2.0/4.0; wire electrode $\bar{\text{1.0 - 1.2}}$; for 5.00 m		127.0008	1034
131	Nipple for core liner at $\bar{\text{4.0}}$	20 Pcs.	131.0001	1095
132	O-Ring 3.5x1.5	20 Pcs.	165.0008	9010
133	Guide tube for core liners up to $\bar{\text{4.0}}$ (200 mm)	10 Pcs.	129.0461	1095
140	Combined wire guide cpl. polyamide/brass; wire $\bar{\text{1.0 - 1.2}}$; for 3.00 m		128.M002	1034
140	Combined wire guide cpl. polyamide/brass; wire $\bar{\text{1.0 - 1.2}}$; for 4.00 m		128.M003	1034
140	Combined wire guide cpl. polyamide/brass; wire $\bar{\text{1.0 - 1.2}}$; for 5.00 m		128.M004	1034
141	Brass spiral made up with sleeve (200 mm)	10 Pcs.	001.0305	1095

MIG/MAG Welding Torches MB GRIP 26 KD



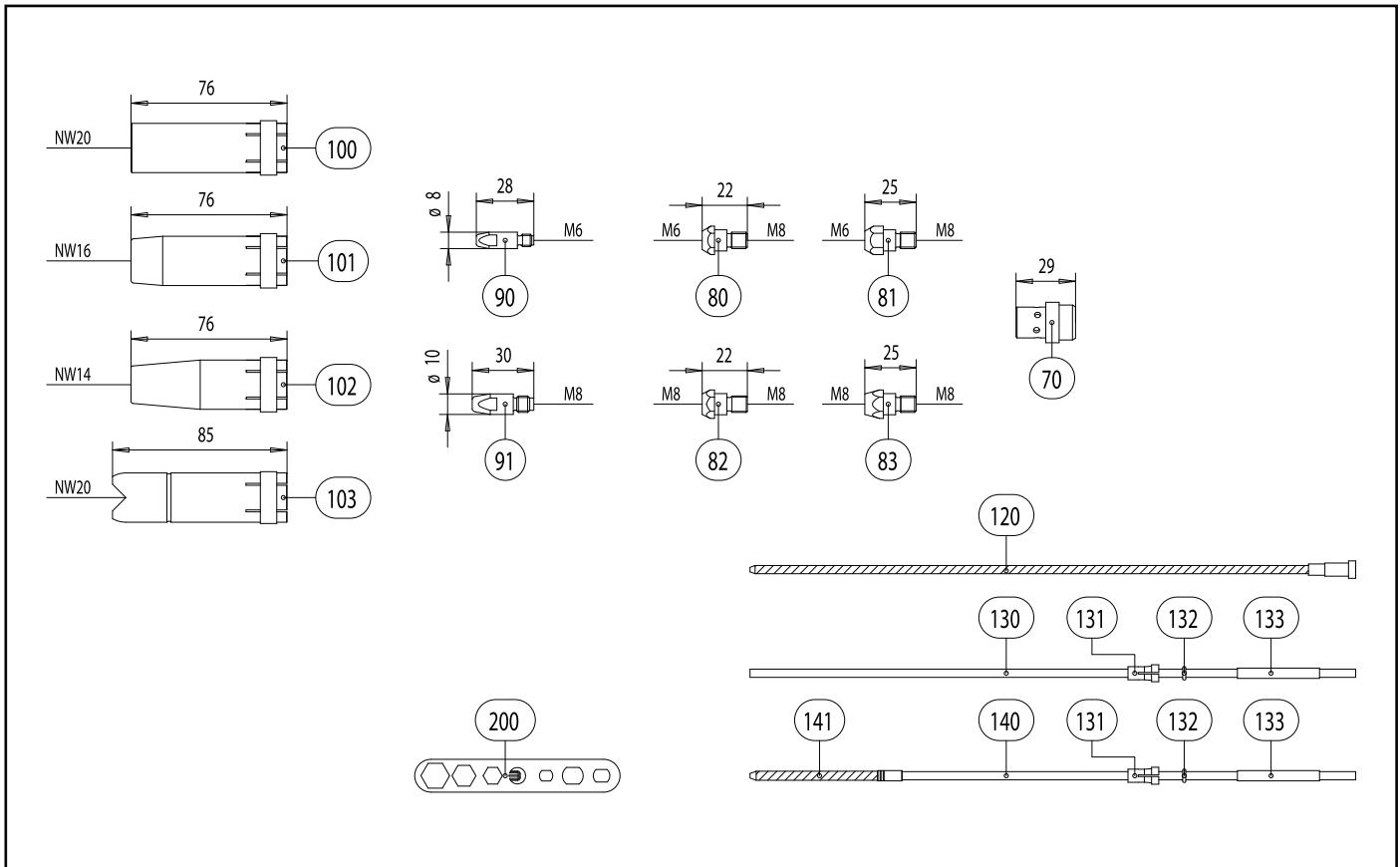
Pos.	Description	Units	Part-No.	Product-group
Torch				
	MB 26 KD GRIP; central adaptor KZ-2; 3.00 m		018.0146	1016
	MB 26 KD GRIP; central adaptor KZ-2; 4.00 m		018.0147	1016
	MB 26 KD GRIP; central adaptor KZ-2; 5.00 m		018.0148	1016
Swan neck				
1	Swan neck MB 26 KD; 50j bent		018.0001	1014
7.1	Torch body plastic GRIP		400.0044	1095
Handle GRIP				
11	Handle GRIP with trigger cpl.		180.0127	1095
11.1	Trigger 2-pole GRIP		185.0101	9010
Cable assembly				
40	Bikox [®] R-power cable MB GRIP / ABIMIG [®] , R6 for 3.00 m		160.D430	1511
40	Bikox [®] R-power cable MB GRIP / ABIMIG [®] , R6 for 4.00 m		160.D431	1511
40	Bikox [®] R-power cable MB GRIP / ABIMIG [®] , R6 for 5.00 m		160.D432	1511
	Outer cover rubber ~ 20x1.5	40 m	105.0005	4050
40.1	Hexagon nut M10x1	10 Pcs.	001.0009	9010
44	Trigger wire connector	20 Pcs.	175.0022	9010
45	Insulating sleeve	20 Pcs.	400.0119	1095
46	Plug	20 Pcs.	175.0004	9010
54	Cable support ND 19		400.1010	1095
54.1	Ball joint cable protection MB GRIP (air cooled)		400.1395.1	1095
56	Cable support machine side		501.2248	9010
57	Pan head screw M4x6	20 Pcs.	000.0552	9010
57.1	Screw cap 1	20 Pcs.	500.0251	9010
58	Adaptor nut M33x2		500.0213	9010
59	Central adaptor KZ-2		501.0003	1095

MIG/MAG Welding Torches MB GRIP 26 KD



Pos.	Description	Units	Part-No.	Product-group
59	Central adaptor KZ-2 without control leads		501.0028	1095
61	O-Ring 4x1	20 Pcs.	165.0002	9010
62	Trigger wire connector; female	20 Pcs.	175.0003	9010
Wear parts				
70	Gas diffuser, white	10 Pcs.	018.0116	1032
70	Gas diffuser, ceramic	10 Pcs.	018.0141	1032
80	Contact tip holder M6; 22.0 mm (short)	10 Pcs.	142.0007	1033
81	Contact tip holder M6; 25.0 mm (long)	10 Pcs.	142.0012	1033
82	Contact tip holder M8; 22.0 mm (short)	10 Pcs.	142.0082	1033
83	Contact tip holder M8; 25.0 mm (long)	10 Pcs.	142.0026	1033
90	Contact tip M6 E-Cu; ~ 0.8 (8x28)	10 Pcs.	140.0051	1030
90	Contact tip M6 E-Cu; ~ 1.0 (8x28)	10 Pcs.	140.0242	1030
90	Contact tip M6 E-Cu; ~ 1.2 (8x28)	10 Pcs.	140.0379	1030
90	Contact tip M6 CuCrZr; ~ 0.8 (8x28)	10 Pcs.	140.0054	1031
90	Contact tip M6 CuCrZr; ~ 1.0 (8x28)	10 Pcs.	140.0245	1031
90	Contact tip M6 CuCrZr; ~ 1.2 (8x28)	10 Pcs.	140.0382	1031
90	Contact tip M6 E-Cu; ~ 0.8 for alu wire (8x28)	10 Pcs.	141.0001	1030
90	Contact tip M6 E-Cu; ~ 1.0 for alu wire (8x28)	10 Pcs.	141.0006	1030
90	Contact tip M6 E-Cu; ~ 1.2 for alu wire (8x28)	10 Pcs.	141.0010	1030
90	Contact tip M6 CuCrZr silver-plated; ~ 0.8 (8x28)	10 Pcs.	147.0054	1031
90	Contact tip M6 CuCrZr silver-plated; ~ 1.0 (8x28)	10 Pcs.	147.0245	1031
90	Contact tip M6 CuCrZr silver-plated; ~ 1.2 (8x28)	10 Pcs.	147.0382	1031
91	Contact tip M8 E-Cu; ~ 0.8 (10x30)	10 Pcs.	140.0114	1030
91	Contact tip M8 E-Cu; ~ 1.0 (10x30)	10 Pcs.	140.0313	1030
91	Contact tip M8 E-Cu; ~ 1.2 (10x30)	10 Pcs.	140.0442	1030
91	Contact tip M8 CuCrZr; ~ 0.8 (10x30)	10 Pcs.	140.0117	1031

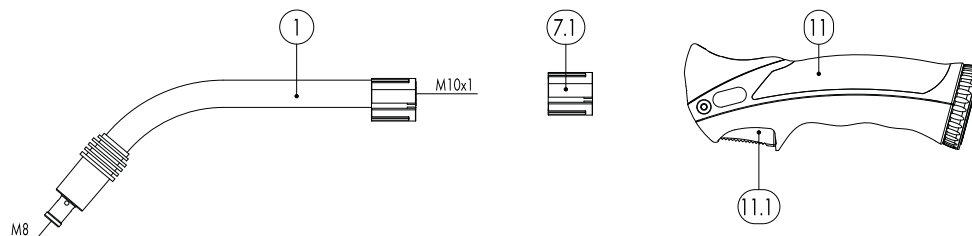
MIG/MAG Welding Torches MB GRIP 26 KD



Pos. Description

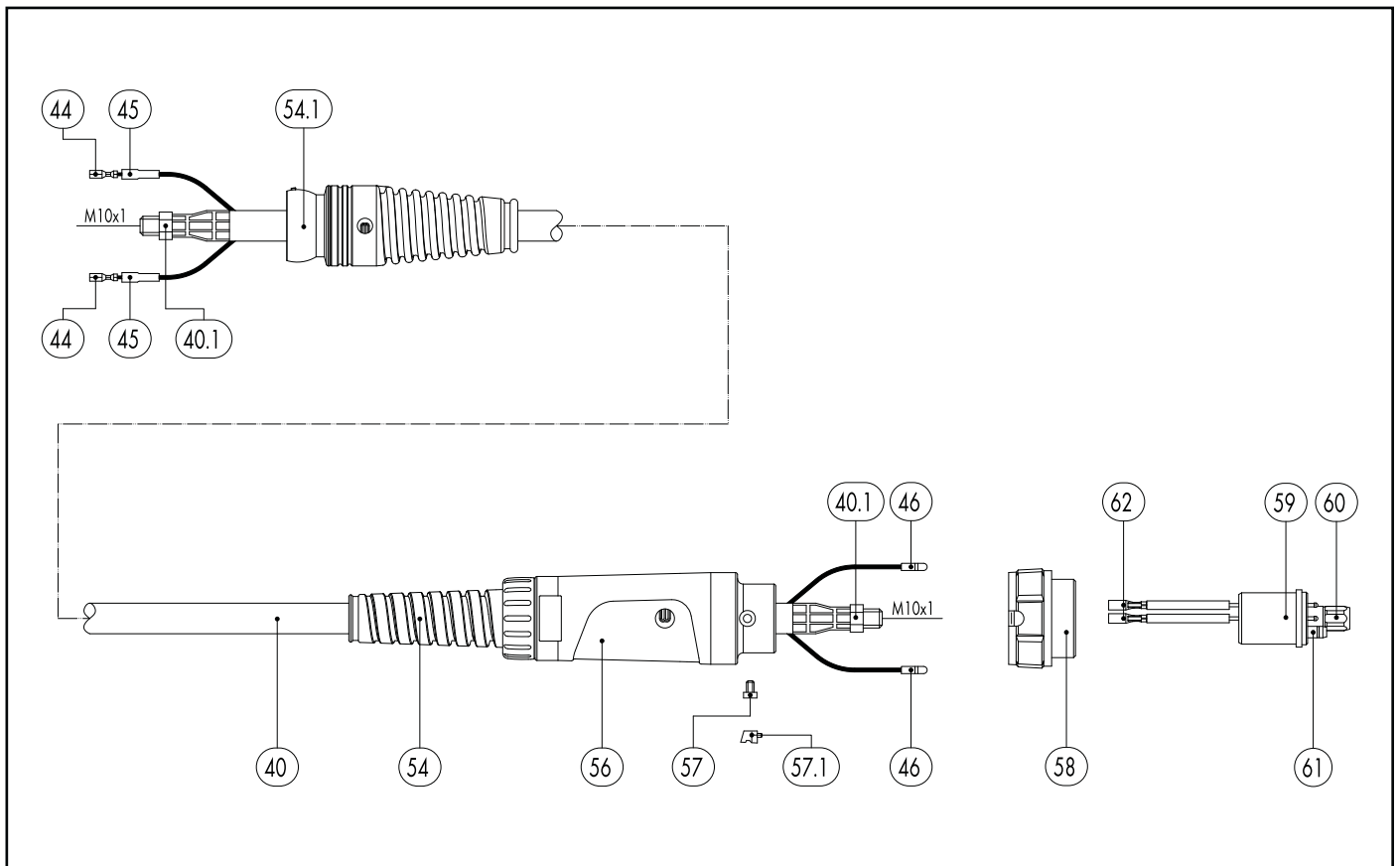
Pos.	Description	Units	Part-No.	Product-group
91	Contact tip M8 CuCrZr; $\bar{}$ 1.0 (10x30)	10 Pcs.	140.0316	1031
91	Contact tip M8 CuCrZr; $\bar{}$ 1.2 (10x30)	10 Pcs.	140.0445	1031
91	Contact tip M8 E-Cu; $\bar{}$ 0.8 for alu wire (10x30)	10 Pcs.	141.0003	1030
91	Contact tip M8 E-Cu; $\bar{}$ 1.0 for alu wire (10x30)	10 Pcs.	141.0008	1030
91	Contact tip M8 E-Cu; $\bar{}$ 1.2 for alu wire (10x30)	10 Pcs.	141.0015	1030
91	Contact tip M8 CuCrZr silver-plated; $\bar{}$ 0.8 (10x30)	10 Pcs.	147.0117	1031
91	Contact tip M8 CuCrZr silver-plated; $\bar{}$ 1.0 (10x30)	10 Pcs.	147.0316	1031
91	Contact tip M8 CuCrZr silver-plated; $\bar{}$ 1.2 (10x30)	10 Pcs.	147.0445	1031
100	Gas nozzle; cylindrical; ND $\bar{}$ 20.0	10 Pcs.	145.0051	1037
101	Gas nozzle; conical; ND $\bar{}$ 16.0	10 Pcs.	145.0085	1037
102	Gas nozzle; tapered; ND $\bar{}$ 14.0	10 Pcs.	145.0132	1037
103	Spot weld gas nozzle; ND $\bar{}$ 20.0	10 Pcs.	145.0179	1037
120	Guide spiral liner insulated; 1.5/4.5; blue; for wire $\bar{}$ 0.6 - 0.8; for 3.00 m		124.0011	1034
120	Guide spiral liner insulated; 1.5/4.5; blue; for wire $\bar{}$ 0.6 - 0.8; for 4.00 m		124.0012	1034
120	Guide spiral liner insulated; 1.5/4.5; blue; for wire $\bar{}$ 0.6 - 0.8; for 5.00 m		124.0015	1034
120	Guide spiral liner insulated; 2.0/4.5; red; for wire $\bar{}$ 1.0 - 1.2; for 3.00 m		124.0026	1034
120	Guide spiral liner insulated; 2.0/4.5; red; for wire $\bar{}$ 1.0 - 1.2; for 4.00 m		124.0031	1034
120	Guide spiral liner insulated; 2.0/4.5; red; for wire $\bar{}$ 1.0 - 1.2; for 5.00 m		124.0035	1034
130	PTFE core liner 1.5/4.0; blue; wire electrode $\bar{}$ 0.8 - 1.0; for 3.00 m		126.0005	1034
130	PTFE core liner 1.5/4.0; blue; wire electrode $\bar{}$ 0.8 - 1.0; for 4.00 m		126.0008	1034
130	PTFE core liner 1.5/4.0; blue; wire electrode $\bar{}$ 0.8 - 1.0; for 5.00 m		126.0011	1034
130	PTFE core liner 2.0/4.0; red; wire electrode $\bar{}$ 1.0 - 1.2; for 3.00 m		126.0021	1034
130	PTFE core liner 2.0/4.0; red; wire electrode $\bar{}$ 1.0 - 1.2; for 4.00 m		126.0026	1034
130	PTFE core liner 2.0/4.0; red; wire electrode $\bar{}$ 1.0 - 1.2; for 5.00 m		126.0028	1034
130	PTFE carbon core liner 1.5/4.0; wire electrode $\bar{}$ 0.8 - 1.0; for 3.00 m		127.0002	1034
130	PTFE carbon core liner 1.5/4.0; wire electrode $\bar{}$ 0.8 - 1.0; for 4.00 m		127.0003	1034

MIG/MAG Welding Torches MB GRIP 36 KD



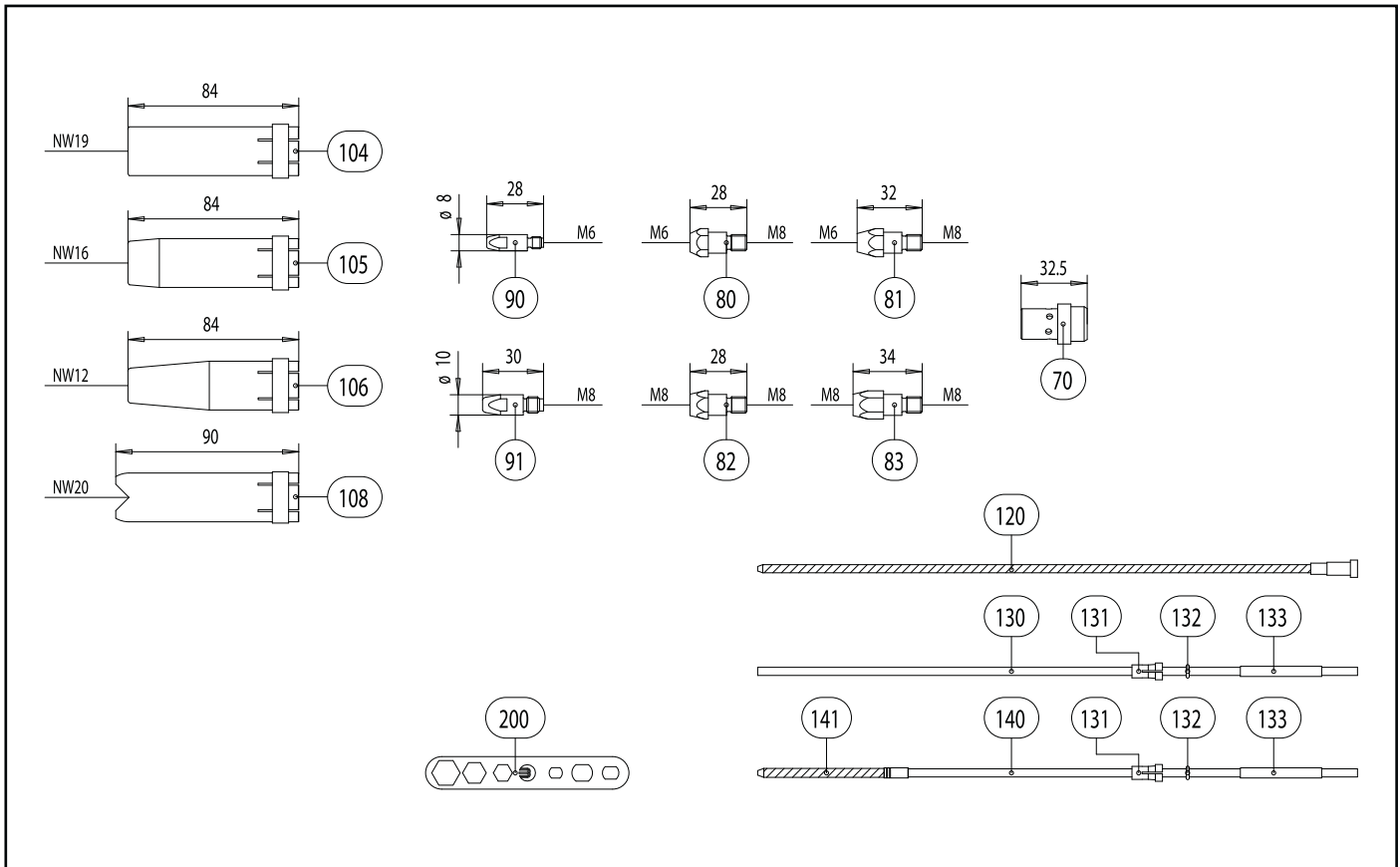
Pos.	Description	Units	Part-No.	Product-group
Torch				
	MB 36 KD GRIP; central adaptor KZ-2; 3.00 m		014.0334	1016
	MB 36 KD GRIP; central adaptor KZ-2; 4.00 m		014.0335	1016
	MB 36 KD GRIP; central adaptor KZ-2; 5.00 m		014.0336	1016
Swan neck				
1	Swan neck MB 36 KD; 50° bent		014.0006	1014
7.1	Torch body plastic GRIP		400.0044	1095
Handle GRIP				
11	Handle GRIP with trigger cpl.		180.0127	1095
11.1	Trigger 2-pole GRIP		185.0101	9010
Cable assembly				
40	Bikox® R-power cable MB GRIP / ABIMIG®, R7 for 3.00 m		160.D434	1511
40	Bikox® R-power cable MB GRIP / ABIMIG®, R7 for 4.00 m		160.D435	1511
40	Bikox® R-power cable MB GRIP / ABIMIG®, R7 for 5.00 m		160.D436	1511
40.1	Hexagon nut M10x1	10 Pcs.	001.0009	9010
44	Trigger wire connector	20 Pcs.	175.0022	9010
45	Insulating sleeve	20 Pcs.	400.0119	1095
46	Plug	20 Pcs.	175.0004	9010
54	Cable support ND 19		400.1010	1095
54.1	Ball joint cable protection MB GRIP (air cooled)		400.1395.1	1095
56	Cable support machine side		501.2248	9010
57	Pan head screw M4x6	20 Pcs.	000.0552	9010
57.1	Screw cap 1	20 Pcs.	500.0251	9010
58	Adaptor nut M33x2		500.0213	9010
59	Central adaptor KZ-2		501.0003	1095
60	Coupling nut M10x1	10 Pcs.	501.0082	9010

MIG/MAG Welding Torches MB GRIP 36 KD



Pos.	Description	Units	Part-No.	Product-group
61	O-Ring 4x1	20 Pcs.	165.0002	9010
62	Trigger wire connector; female	20 Pcs.	175.0003	9010
Wear parts				
70	Gas diffuser, white	10 Pcs.	014.0261	1032
70	Gas diffuser, long life	10 Pcs.	014.0026	1032
70	Gas diffuser, ceramic	10 Pcs.	014.0023	1032
80	Contact tip holder M6; 28.0 mm (short)	10 Pcs.	142.0005	1033
81	Contact tip holder M6; 32.0 mm (long)	10 Pcs.	142.0011	1033
82	Contact tip holder M8; 28.0 mm (short)	10 Pcs.	142.0020	1033
83	Contact tip holder M8; 34.0 mm (long)	10 Pcs.	142.0024	1033
90	Contact tip M6 E-Cu; Ø 0.8 (8x28)	10 Pcs.	140.0051	1030
90	Contact tip M6 E-Cu; Ø 1.0 (8x28)	10 Pcs.	140.0242	1030
90	Contact tip M6 E-Cu; Ø 1.2 (8x28)	10 Pcs.	140.0379	1030
90	Contact tip M6 CuCrZr; Ø 0.8 (8x28)	10 Pcs.	140.0054	1031
90	Contact tip M6 CuCrZr; Ø 1.0 (8x28)	10 Pcs.	140.0245	1031
90	Contact tip M6 CuCrZr; Ø 1.2 (8x28)	10 Pcs.	140.0382	1031
90	Contact tip M6 E-Cu; Ø 0.8 for alu wire (8x28)	10 Pcs.	141.0001	1030
90	Contact tip M6 E-Cu; Ø 1.0 for alu wire (8x28)	10 Pcs.	141.0006	1030
90	Contact tip M6 E-Cu; Ø 1.2 for alu wire (8x28)	10 Pcs.	141.0010	1030
90	Contact tip M6 CuCrZr silver-plated; Ø 0.8 (8x28)	10 Pcs.	147.0054	1031
90	Contact tip M6 CuCrZr silver-plated; Ø 1.0 (8x28)	10 Pcs.	147.0245	1031
90	Contact tip M6 CuCrZr silver-plated; Ø 1.2 (8x28)	10 Pcs.	147.0382	1031
91	Contact tip M8 E-Cu; Ø 0.8 (10x30)	10 Pcs.	140.0114	1030
91	Contact tip M8 E-Cu; Ø 1.0 (10x30)	10 Pcs.	140.0313	1030
91	Contact tip M8 E-Cu; Ø 1.2 (10x30)	10 Pcs.	140.0442	1030
91	Contact tip M8 CuCrZr; Ø 0.8 (10x30)	10 Pcs.	140.0117	1031

MIG/MAG Welding Torches MB GRIP 36 KD



Pos. Description

Pos.	Description	Units	Part-No.	Product-group
91	Contact tip M8 CuCrZr; Ø 1.0 (10x30)	10 Pcs.	140.0316	1031
91	Contact tip M8 CuCrZr; Ø 1.2 (10x30)	10 Pcs.	140.0445	1031
91	Contact tip M8 E-Cu; Ø 0.8 for alu wire (10x30)	10 Pcs.	141.0003	1030
91	Contact tip M8 E-Cu; Ø 1.0 for alu wire (10x30)	10 Pcs.	141.0008	1030
91	Contact tip M8 E-Cu; Ø 1.2 for alu wire (10x30)	10 Pcs.	141.0015	1030
91	Contact tip M8 CuCrZr silver-plated; Ø 0.8 (10x30)	10 Pcs.	147.0117	1031
91	Contact tip M8 CuCrZr silver-plated; Ø 1.0 (10x30)	10 Pcs.	147.0316	1031
91	Contact tip M8 CuCrZr silver-plated; Ø 1.2 (10x30)	10 Pcs.	147.0445	1031
104	Gas nozzle; cylindrical; ND Ø 19.0	10 Pcs.	145.0045	1037
105	Gas nozzle; conical; ND Ø 16.0	10 Pcs.	145.0078	1037
106	Gas nozzle; tapered; ND Ø 12.0	10 Pcs.	145.0126	1037
108	Spot weld gas nozzle; ND Ø 20.0	10 Pcs.	145.0172	1037
120	Guide spiral liner insulated; 1.5/4.5; blue; for wire Ø 0.6 - 0.8; for 3.00 m		124.0011	1034
120	Guide spiral liner insulated; 1.5/4.5; blue; for wire Ø 0.6 - 0.8; for 4.00 m		124.0012	1034
120	Guide spiral liner insulated; 1.5/4.5; blue; for wire Ø 0.6 - 0.8; for 5.00 m		124.0015	1034
120	Guide spiral liner insulated; 2.0/4.5; red; for wire Ø 1.0 - 1.2; for 3.00 m		124.0026	1034
120	Guide spiral liner insulated; 2.0/4.5; red; for wire Ø 1.0 - 1.2; for 4.00 m		124.0031	1034
120	Guide spiral liner insulated; 2.0/4.5; red; for wire Ø 1.0 - 1.2; for 5.00 m		124.0035	1034
130	PTFE core liner 1.5/4.0; blue; wire electrode Ø 0.8 - 1.0; for 3.00 m		126.0005	1034
130	PTFE core liner 1.5/4.0; blue; wire electrode Ø 0.8 - 1.0; for 4.00 m		126.0008	1034
130	PTFE core liner 1.5/4.0; blue; wire electrode Ø 0.8 - 1.0; for 5.00 m		126.0011	1034
130	PTFE core liner 2.0/4.0; red; wire electrode Ø 1.0 - 1.2; for 3.00 m		126.0021	1034
130	PTFE core liner 2.0/4.0; red; wire electrode Ø 1.0 - 1.2; for 4.00 m		126.0026	1034
130	PTFE core liner 2.0/4.0; red; wire electrode Ø 1.0 - 1.2; for 5.00 m		126.0028	1034
130	PTFE carbon core liner 1.5/4.0; wire electrode Ø 0.8 - 1.0; for 3.00 m		127.0002	1034
130	PTFE carbon core liner 1.5/4.0; wire electrode Ø 0.8 - 1.0; for 4.00 m		127.0003	1034

