

Torçe MIG/MAG "MB GRIP" liquido

Duty Cycle 270 A fino a 550 A

- L'impugnatura ergonomica "GRIP" corta per un migliore accesso
- "GRIP", con componenti morbidi e punto di alloggiamento per riposo del pollice, maneggevole anche in condizioni estreme
- Giunto a snodo con raggio ottimale - perfetta maneggevolezza
- L'ottimo raffreddamento della torcia - aumenta la vita della stessa
- Cambio torcia rapido grazie al connettore centralizzato ABICOR BINZEL
- Ad alto livello tecnico ed ergonomico, affidabile al 100%



MB GRIP 240 D *

Dati tecnici (EN 60 974-7):

Classificazione: 300 A CO₂
270 A Miscela Gas M21 (DIN EN 439)

Duty cycle: 100%

Diametro filo: 0.8 - 1.2 mm

MB GRIP 401 D * / MB GRIP 401 *

Dati tecnici (EN 60 974-7):

Classificazione: 400 A / 450 A CO₂
350 A / 400 A Miscela Gas M21 (DIN EN 439)

Duty cycle: 100%

Diametro filo: 0.8 - 1.2 mm

MB GRIP 501 D * / MB GRIP 501 *

Dati tecnici (EN 60 974-7):

Classificazione: 500 A / 550 A CO₂
450 A / 500 A Miscela Gas M21 (DIN EN 439)

Duty cycle: 100%

Diametro filo: 1.0 - 1.6 mm

* Nota:

Per proteggere i componenti del fasciame torcia da un eccessivo surriscaldamento, consigliamo di mantenere attivo il circuito di raffreddamento macchina per almeno 1 minuto da termine saldatura.

Torcia completa Modello	Impugnatura	n° cod.			Mod.	Lancia n° cod.
		3 m	4 m	5 m		
MB GRIP 240 D	Tipo MB	023.0225	023.0226	023.0227	50°	023.0228
MB GRIP 401 D	Tipo MB	033.0271	033.0272	033.0273	50°	033.0277
MB GRIP 401	Tipo MB	030.0205	030.0206	030.0207	50°	030.0208
MB GRIP 501 D	Tipo MB	034.0492	034.0493	034.0494	50°	034.0496
MB GRIP 501	Tipo MB	032.0231	032.0232	032.0233	50°	032.0234

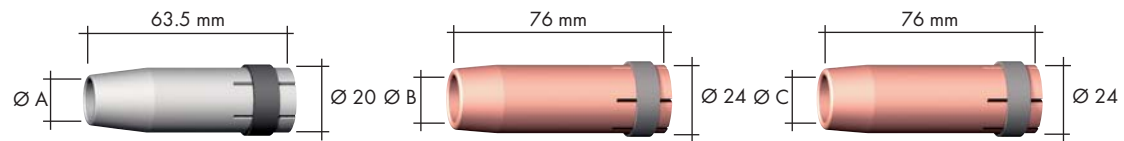
MB GRIP 240, MB GRIP 401 / 501

Consumabili

MB GRIP 240 D

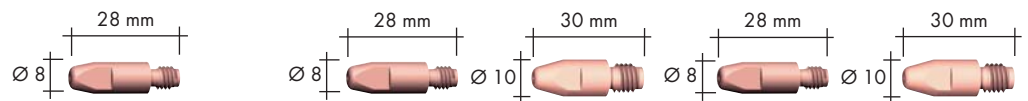
MB GRIP 401 D / 501 D

MB GRIP 401 / 501



Ug.gas (10 pcs.)

	Ø A		Ø B		Ø C	
Cilindrico	Ø 17	145.0047	Ø 20	145.0051	Ø 20	145.0051
Conico	Ø 12.5	145.0080	Ø 16	145.0085	Ø 16	145.0085
Conico	Ø 10	145.0128	Ø 14	145.0132	Ø 14	145.0132



Ug.p.corr. (10 pcs.)

		M6	M6	M8	M6	M8
E-Cu	Ø 0.8	140.0051	140.0051	140.0114	140.0051	140.0114
	Ø 1.0	140.0242	140.0242	140.0313	140.0242	140.0313
	Ø 1.2	140.0379	140.0379	140.0442	140.0379	140.0442
	Ø 1.6	-	140.0555	140.0587	140.0555	140.0587
E-Cu per Al	Ø 0.8	141.0001	141.0001	141.0003	141.0001	141.0003
	Ø 1.0	141.0006	141.0006	141.0008	141.0006	141.0008
	Ø 1.2	141.0010	141.0010	141.0015	141.0010	141.0015
	Ø 1.6	-	141.0020	141.0022	141.0020	141.0022
CuCrZr	Ø 0.8	140.0054	140.0054	140.0117	140.0054	140.0117
	Ø 1.0	140.0245	140.0245	140.0316	140.0245	140.0316
	Ø 1.2	140.0382	140.0382	140.0445	140.0382	140.0445
	Ø 1.6	-	140.0558	140.0590	140.0558	140.0590



Supp.ug.p.corr. (10 pcs.)

M6	142.0003	142.0008	-
M8	-	142.0022	-



Diffusore gas (10 pcs.)

Standard	012.0183	030.0145	030.0145
Lunga durata	-	030.0037	030.0037
Ceramico	-	030.0190	030.0190

Guaine

per 3 m

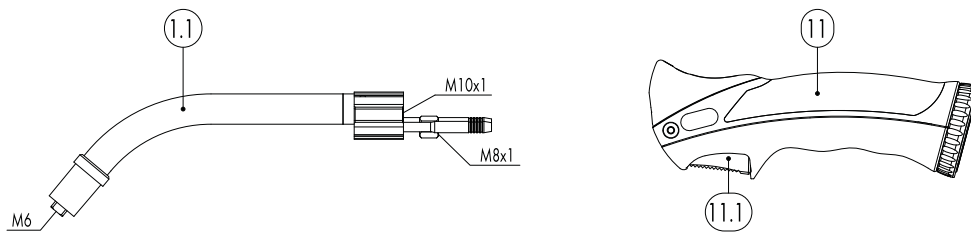
per 4 m

per 5 m



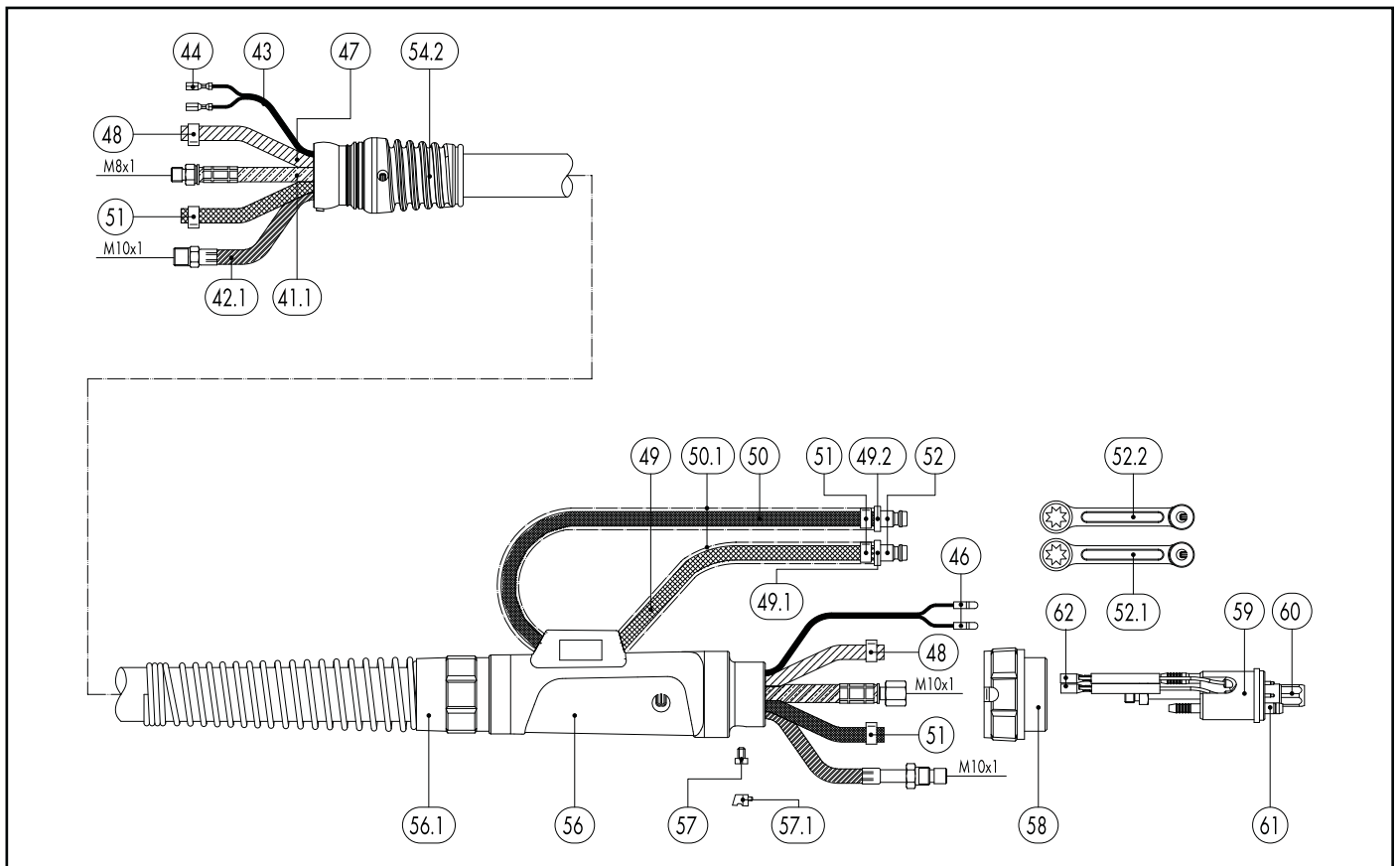
Guaine	Ø 0.8	122.0005	122.0007	122.0009
	Ø 1.0	122.0031	122.0036	122.0039
	Ø 1.2	122.0031	122.0036	122.0039
	Ø 1.6	122.0056	122.0060	122.0063
Guaine PTFE	Ø 0.8	126.0005	126.0008	126.0011
	Ø 1.0	126.0021	126.0026	126.0028
	Ø 1.2	126.0021	126.0026	126.0028
	Ø 1.6	126.0039	126.0042	126.0045
Guaine grafite PTFE	Ø 0.8	127.0002	127.0003	127.0004
	Ø 1.0	127.0005	127.0007	127.0004
	Ø 1.2	127.0005	127.0007	127.0008
	Ø 1.6	127.0010	127.0012	127.0013

MIG/MAG Welding Torches MB GRIP 240 D



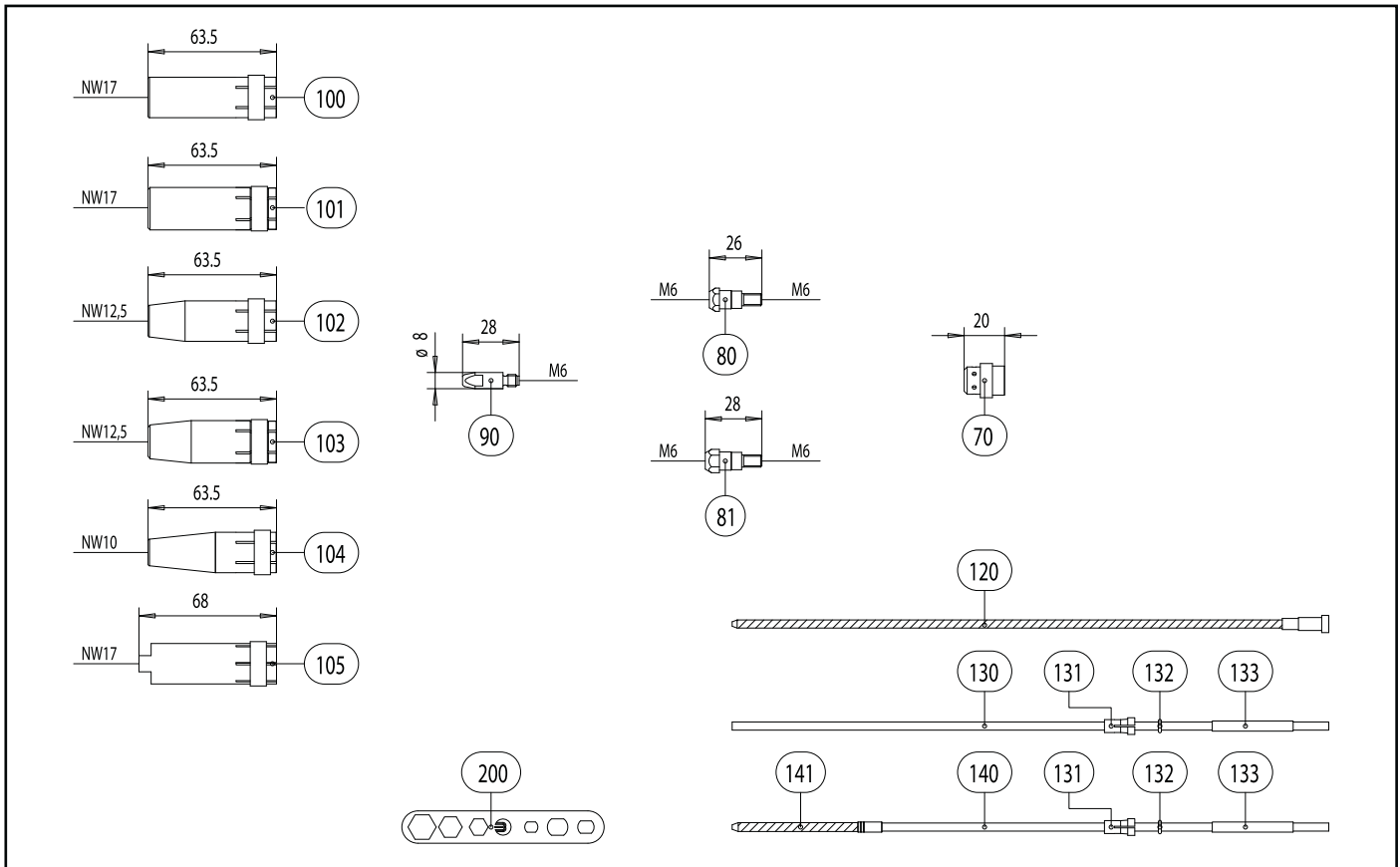
Pos.	Description	Units	Part-No.	Product-group
Torch				
	MB 240 D; ERGO; central adaptor WZ-2; 3.00 m		023.0077	1017
	MB 240 D; ERGO; central adaptor WZ-2; 4.00 m		023.0078	1017
	MB 240 D; ERGO; central adaptor WZ-2; 5.00 m		023.0079	1017
Swan neck				
1	Swan neck MB 240 D; 50° bent		023.0001	1009
Handle ERGO				
10	ERGO handle with trigger cpl.		180.0076	1095
10.1	Trigger 2-pole		185.0031	9010
Cable assembly				
41	Power cable MB ERGO / MB GRIP / ABIMIG® (RBH) for 3.00 m		115.0065	1012
41	Power cable MB ERGO / MB GRIP / ABIMIG® (RBH) for 4.00 m		115.0070	1012
41	Power cable MB ERGO / MB GRIP / ABIMIG® (RBH) for 5.00 m		115.0074	1012
42	Wire conduit MB ERGO / ABIMIG® cpl. red (up to wire Ø 1.2) for 3.00 m		156.0019	1012
42	Wire conduit MB ERGO / ABIMIG® cpl. red (up to wire Ø 1.2) for 4.00 m		156.0023	1012
42	Wire conduit MB ERGO / ABIMIG® cpl. red (up to wire Ø 1.2) for 5.00 m		156.0026	1012
43	Control cable 2-pole	200 m	100.0019	4050
44	Trigger wire connector	20 Pcs.	175.0022	9010
45	Insulating sleeve	20 Pcs.	400.0119	1095
46	Plug	20 Pcs.	175.0004	9010
47	Hose 30 black Ø 4.9x1.5	100 m	109.0040	4050
48	Hose clamp Ø 8.7 mm	100 Pcs.	171.0002	9010
49	Hose 42 RBH black; Ø 5.5x1.5	40 m	109.0052	4050
49.1	Code colour ring blue	20 Pcs.	501.2167	9010
49.2	Code colour ring red	20 Pcs.	501.2166	9010
50	Hose 46 black Ø 5.5x1.5 cpl. with plug nipple ND 5; 0.6 m		103.0108	1095

MIG/MAG Welding Torches MB GRIP 240 D



Pos.	Description	Units	Part-No.	Product-group
51	Hose clamp \varnothing 9.0 mm with ring (mark 9.5)	100 Pcs.	173.0001	9010
52	Plug nipple ND 5 mm / \varnothing 6.0 mm	20 Pcs.	501.0114	9010
52.1	Fastener cap red	20 Pcs.	501.2423	1095
52.2	Fastener cap blue	20 Pcs.	501.2424	1095
53	Outer cover with cable support \varnothing 25x1.5 for 3.00 m		107.0079	1095
53	Outer cover with cable support \varnothing 25x1.5 for 4.00 m		107.0044	1095
53	Outer cover with cable support \varnothing 25x1.5 for 5.00 m		107.0080	1095
	Outer cover \varnothing 25x1.5	40 m	107.0004	4050
56	Cable support machine side big cpl. ND 31		500.0342	9010
56.1	Cable support spring		500.0233	9010
56.1	Biclip inside		400.0328	9010
56.1	Biclip outside		400.0329	9010
57	Pan head screw M4x6	20 Pcs.	000.0552	9010
57.1	Screw cap 1	20 Pcs.	500.0251	9010
58	Adaptor nut M33x2		500.0213	9010
59	Central adaptor WZ-2		501.0015	9010
60	Coupling nut M10x1	10 Pcs.	501.0082	9010
61	O-Ring 4x1	20 Pcs.	165.0002	9010
62	Trigger wire connector; female	20 Pcs.	175.0003	9010
	Wear parts			
70	Gas diffuser, white	10 Pcs.	012.0183	1032
70	Gas diffuser, silicone rubber	10 Pcs.	012.0243	1032
80	Contact tip holder M6; 26.0 mm	10 Pcs.	142.0003	1033
81	Contact tip holder M6; 28.0 mm	10 Pcs.	142.0010	1033
90	Contact tip M6 E-Cu; \varnothing 0.8 (8x28)	10 Pcs.	140.0051	1030
90	Contact tip M6 E-Cu; \varnothing 1.0 (8x28)	10 Pcs.	140.0242	1030

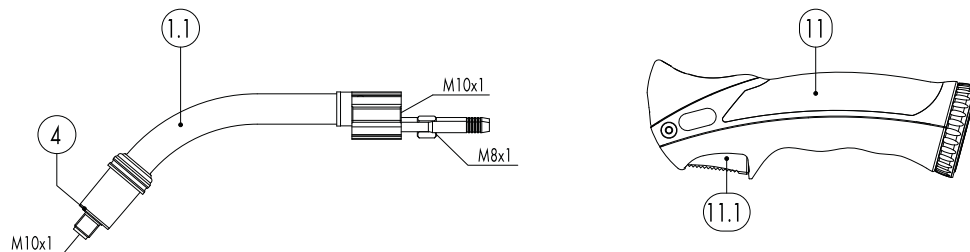
MIG/MAG Welding Torches MB GRIP 240 D



Pos. Description

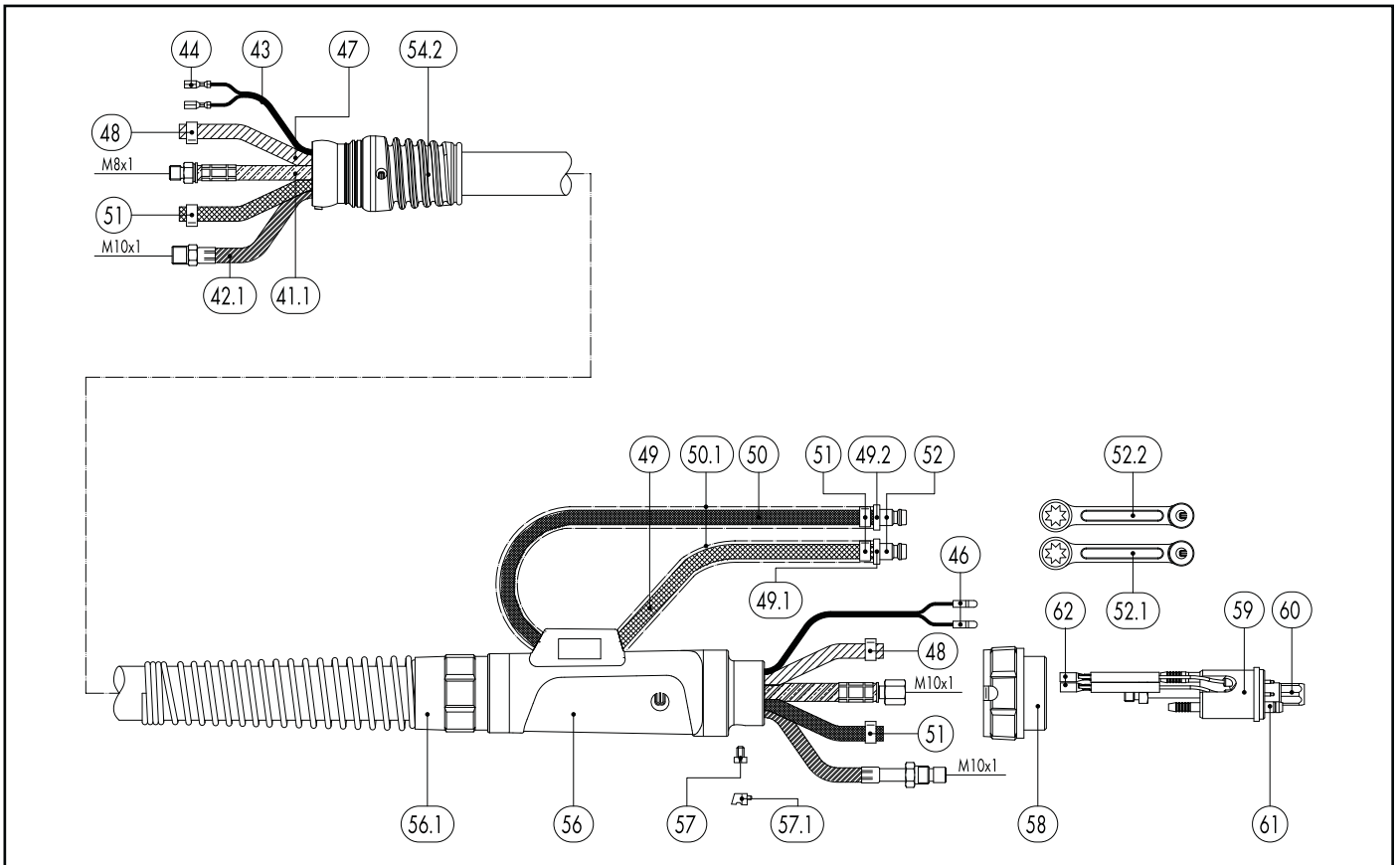
Pos.	Description	Units	Part-No.	Product-group
90	Contact tip M6 E-Cu; Ø 1.2 (8x28)	10 Pcs.	140.0379	1030
90	Contact tip M6 CuCrZr; Ø 0.8 (8x28)	10 Pcs.	140.0054	1031
90	Contact tip M6 CuCrZr; Ø 1.0 (8x28)	10 Pcs.	140.0245	1031
90	Contact tip M6 CuCrZr; Ø 1.2 (8x28)	10 Pcs.	140.0382	1031
90	Contact tip M6 E-Cu; Ø 0.8 for alu wire (8x28)	10 Pcs.	141.0001	1030
90	Contact tip M6 E-Cu; Ø 1.0 for alu wire (8x28)	10 Pcs.	141.0006	1030
90	Contact tip M6 E-Cu; Ø 1.2 for alu wire (8x28)	10 Pcs.	141.0010	1030
90	Contact tip M6 CuCrZr silver-plated; Ø 0.8 (8x28)	10 Pcs.	147.0054	1031
90	Contact tip M6 CuCrZr silver-plated; Ø 1.0 (8x28)	10 Pcs.	147.0245	1031
90	Contact tip M6 CuCrZr silver-plated; Ø 1.2 (8x28)	10 Pcs.	147.0382	1031
100	Gas nozzle; cylindrical; ND Ø 17.0	10 Pcs.	145.0047	1036
101	Gas nozzle; cylindrical; heavy duty; ND Ø 17.0	10 Pcs.	145.0062	1036
102	Gas nozzle; conical; ND Ø 12.5	10 Pcs.	145.0080	1036
103	Gas nozzle; conical; heavy duty; ND Ø 12.5	10 Pcs.	145.0101	1036
104	Gas nozzle; tapered; ND Ø 10.0	10 Pcs.	145.0128	1036
105	Spot weld gas nozzle; ND Ø 17.0	10 Pcs.	145.0174	1036
120	Guide spiral liner blank; 1.5/4.0; for wire Ø 0.8; for 3.00 m		122.0005	1034
120	Guide spiral liner blank; 1.5/4.0; for wire Ø 0.8; for 4.00 m		122.0007	1034
120	Guide spiral liner blank; 1.5/4.0; for wire Ø 0.8; for 5.00 m		122.0009	1034
120	Guide spiral liner blank; 2.0/4.5; for wire Ø 1.0 - 1.2; for 3.00 m		122.0031	1034
120	Guide spiral liner blank; 2.0/4.5; for wire Ø 1.0 - 1.2; for 4.00 m		122.0036	1034
120	Guide spiral liner blank; 2.0/4.5; for wire Ø 1.0 - 1.2; for 5.00 m		122.0039	1034
130	PTFE core liner 1.5/4.0; blue; wire electrode Ø 0.8 - 1.0; for 3.00 m		126.0005	1034
130	PTFE core liner 1.5/4.0; blue; wire electrode Ø 0.8 - 1.0; for 4.00 m		126.0008	1034
130	PTFE core liner 1.5/4.0; blue; wire electrode Ø 0.8 - 1.0; for 5.00 m		126.0011	1034
130	PTFE core liner 2.0/4.0; red; wire electrode Ø 1.0 - 1.2; for 3.00 m		126.0021	1034

MIG/MAG Welding Torches MB GRIP 401 / 401 D



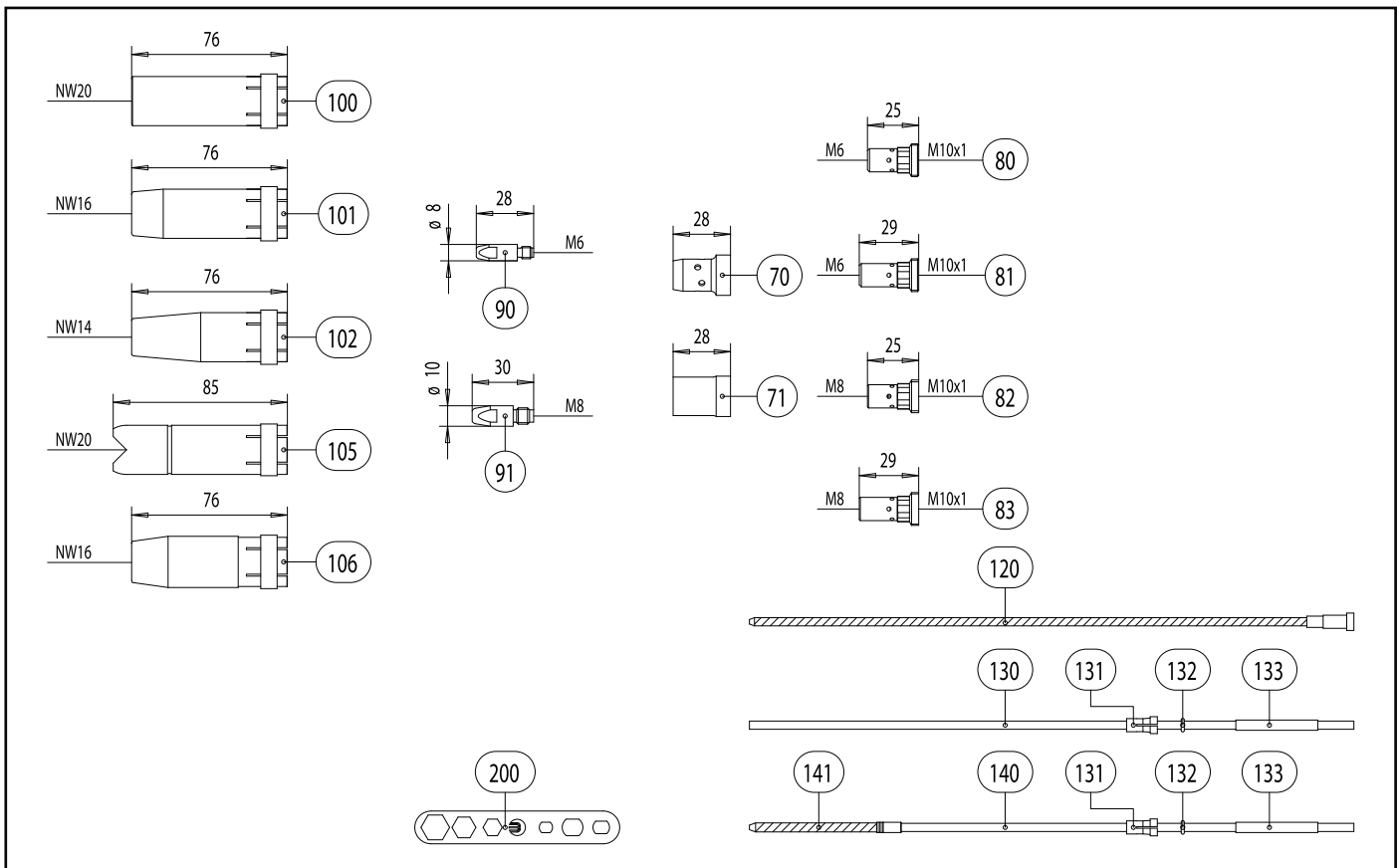
Pos.	Description	Units	Part-No.	Product-group
Torch (D-Version)				
	MB 401 D GRIP; central adaptor WZ-2; 3.00 m		033.0271	1018
	MB 401 D GRIP; central adaptor WZ-2; 4.00 m		033.0272	1018
	MB 401 D GRIP; central adaptor WZ-2; 5.00 m		033.0273	1018
Torch				
	MB 401 GRIP; central adaptor WZ-2; 3.00 m		030.0205	1018
	MB 401 GRIP; central adaptor WZ-2; 4.00 m		030.0206	1018
	MB 401 GRIP; central adaptor WZ-2; 5.00 m		030.0207	1018
Swan neck (D-Version)				
1	Swan neck MB 401 D; 50° bent		033.0001	1009
1.1	Swan neck MB GRIP 401 D; 50° bent		033.0277	1009
4	Insulator	20 Pcs.	030.0019	1095
Swan neck				
	Swan neck MB 401; 50° bent		030.0001	1009
	Swan neck MB GRIP 401; 50° bent		030.0208	1009
Handle GRIP				
11	Handle GRIP with trigger cpl.		180.0127	1095
11.1	Trigger 2-pole GRIP		185.0101	9010
Cable assembly				
41	Power cable MB ERGO / MB GRIP / ABIMIG® (RBH) for 3.00 m		115.0065	1012
41	Power cable MB ERGO / MB GRIP / ABIMIG® (RBH) for 4.00 m		115.0070	1012
41	Power cable MB ERGO / MB GRIP / ABIMIG® (RBH) for 5.00 m		115.0074	1012
42.1	Wire conduit ABIMIG® GRIP / MB GRIP cpl. for 3.00 m		156.0275	1012
42.1	Wire conduit ABIMIG® GRIP / MB GRIP cpl. for 4.00 m		156.0276	1012
42.1	Wire conduit ABIMIG® GRIP / MB GRIP cpl. for 5.00 m		156.0277	1012
43	Control cable 2-pole	200 m	100.0019	4050

MIG/MAG Welding Torches MB GRIP 401 / 401 D



Pos.	Description	Units	Part-No.	Product-group
44	Trigger wire connector	20 Pcs.	175.0022	9010
46	Plug	20 Pcs.	175.0004	9010
47	Hose 30 black Ø 4.9x1.5	100 m	109.0040	4050
48	Hose clamp Ø 8.7 mm	100 Pcs.	171.0002	9010
49	Hose 42 RBH black; Ø 5.5x1.5	40 m	109.0052	4050
49.1	Code colour ring blue	20 Pcs.	501.2167	9010
49.2	Code colour ring red	20 Pcs.	501.2166	9010
50	Hose 46 black Ø 5.5x1.5 cpl. with plug nipple ND 5; 0.6 m		103.0108	1095
51	Hose clamp Ø 9.0 mm with ring (mark 9.5)	100 Pcs.	173.0001	9010
52	Plug nipple ND 5 mm / Ø 6.0 mm	20 Pcs.	501.0114	9010
52.1	Fastener cap red	20 Pcs.	501.2423	1095
52.2	Fastener cap blue	20 Pcs.	501.2424	1095
53	Outer cover with cable support Ø 25x1.5 for 3.00 m		107.0079	1095
53	Outer cover with cable support Ø 25x1.5 for 4.00 m		107.0044	1095
53	Outer cover with cable support Ø 25x1.5 for 5.00 m		107.0080	1095
	Outer cover Ø 25x1.5	40 m	107.0004	4050
54.2	Ball joint cable protection MB GRIP / ABIMIG® GRIP W (liquid cooled)		400.1392.1	1095
	Inner ring for ABIMIG® / ABIMIG® GRIP / MB GRIP (liquid cooled)		400.0790	1095
56	Cable support machine side big cpl. ND 31		500.0342	9010
56.1	Cable support spring		500.0233	9010
56.1	Biclip inside		400.0328	9010
56.1	Biclip outside		400.0329	9010
57	Pan head screw M4x6	20 Pcs.	000.0552	9010
57.1	Screw cap 1	20 Pcs.	500.0251	9010
58	Adaptor nut M33x2		500.0213	9010
59	Central adaptor WZ-2		501.0015	9010

MIG/MAG Welding Torches MB GRIP 401 / 401 D

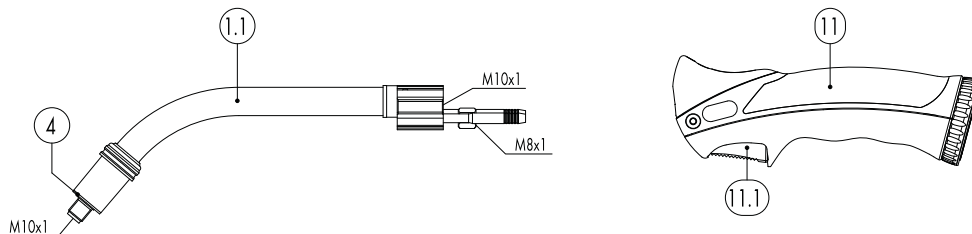


Pos.	Description	Units	Part-No.	Product-group
60	Coupling nut M10x1	10 Pcs.	501.0082	9010
61	O-Ring 4x1	20 Pcs.	165.0002	9010
62	Trigger wire connector; female	20 Pcs.	175.0003	9010
Wear parts MB 401 / 401 D				
70	Gas diffuser, white	10 Pcs.	030.0145	1032
70	Gas diffuser, long life	10 Pcs.	030.0037	1032
70	Gas diffuser, ceramic	10 Pcs.	030.0190	1032
71	Nozzle insulator	10 Pcs.	146.0013	1032
Wear parts MB 401 D				
80	Contact tip holder M6; 25.0 mm (short)	10 Pcs.	142.0008	1033
81	Contact tip holder M6; 29.0 mm (long)	10 Pcs.	142.0013	1033
82	Contact tip holder M8; 25.0 mm (short)	10 Pcs.	142.0022	1033
	Contact tip holder M8; 27.0 mm; CuCrZr	10 Pcs.	142.0201.10	1033
83	Contact tip holder M8; 29.0 mm (long)	10 Pcs.	142.0027	1033
Wear parts MB 401 / 401 D				
90	Contact tip M6 E-Cu; Ø 0.8 (8x28)	10 Pcs.	140.0051	1030
90	Contact tip M6 E-Cu; Ø 1.0 (8x28)	10 Pcs.	140.0242	1030
90	Contact tip M6 E-Cu; Ø 1.2 (8x28)	10 Pcs.	140.0379	1030
90	Contact tip M6 CuCrZr; Ø 0.8 (8x28)	10 Pcs.	140.0054	1031
90	Contact tip M6 CuCrZr; Ø 1.0 (8x28)	10 Pcs.	140.0245	1031
90	Contact tip M6 CuCrZr; Ø 1.2 (8x28)	10 Pcs.	140.0382	1031
90	Contact tip M6 E-Cu; Ø 0.8 for alu wire (8x28)	10 Pcs.	141.0001	1030
90	Contact tip M6 E-Cu; Ø 1.0 for alu wire (8x28)	10 Pcs.	141.0006	1030
90	Contact tip M6 CuCrZr silver-plated; Ø 0.8 (8x28)	10 Pcs.	147.0054	1031
90	Contact tip M6 E-Cu; Ø 1.2 for alu wire (8x28)	10 Pcs.	141.0010	1030
90	Contact tip M6 CuCrZr silver-plated; Ø 1.0 (8x28)	10 Pcs.	147.0245	1031

MIG/MAG Welding Torches MB GRIP 401 / 401 D

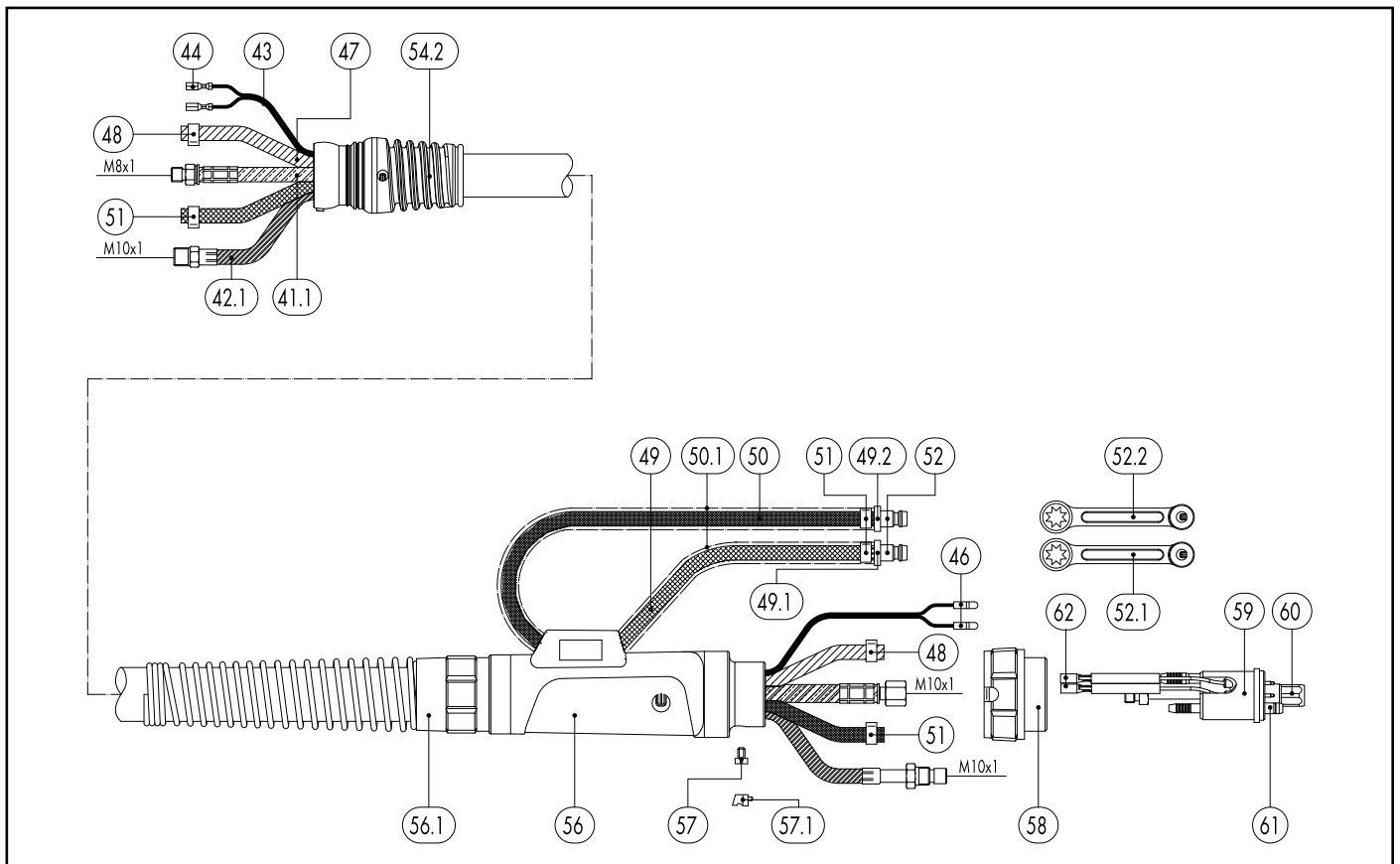
Pos.	Description	Units	Part-No.	Product-group
90	Contact tip M6 CuCrZr silver-plated; Ø 1.2 (8x28)	10 Pcs.	147.0382	1031
91	Contact tip M8 E-Cu; Ø 0.8 (10x30)	10 Pcs.	140.0114	1030
91	Contact tip M8 E-Cu; Ø 1.0 (10x30)	10 Pcs.	140.0313	1030
91	Contact tip M8 E-Cu; Ø 1.2 (10x30)	10 Pcs.	140.0442	1030
91	Contact tip M8 CuCrZr; Ø 0.8 (10x30)	10 Pcs.	140.0117	1031
91	Contact tip M8 CuCrZr; Ø 1.0 (10x30)	10 Pcs.	140.0316	1031
91	Contact tip M8 CuCrZr; Ø 1.2 (10x30)	10 Pcs.	140.0445	1031
91	Contact tip M8 CuCrZr silver-plated; Ø 0.8 (10x30)	10 Pcs.	147.0117	1031
91	Contact tip M8 CuCrZr silver-plated; Ø 1.0 (10x30)	10 Pcs.	147.0316	1031
91	Contact tip M8 CuCrZr silver-plated; Ø 1.2 (10x30)	10 Pcs.	147.0445	1031
91	Contact tip M8 E-Cu; Ø 0.8 for alu wire (10x30)	10 Pcs.	141.0003	1030
91	Contact tip M8 E-Cu; Ø 1.0 for alu wire (10x30)	10 Pcs.	141.0008	1030
91	Contact tip M8 E-Cu; Ø 1.2 for alu wire (10x30)	10 Pcs.	141.0015	1030
100	Gas nozzle; cylindrical; ND Ø 20.0	10 Pcs.	145.0051	1037
101	Gas nozzle; conical; ND Ø 16.0	10 Pcs.	145.0085	1037
102	Gas nozzle; tapered; ND Ø 14.0	10 Pcs.	145.0132	1037
105	Spot weld gas nozzle; ND Ø 20.0	10 Pcs.	145.0179	1037
106	Gas nozzle; heavy duty; ND Ø 16.0 (only use with nozzle insulator)	10 Pcs.	145.0086	1037
120	Guide spiral liner blank; 1.5/4.0; for wire Ø 0.8; for 3.00 m		122.0005	1034
120	Guide spiral liner blank; 1.5/4.0; for wire Ø 0.8; for 4.00 m		122.0007	1034
120	Guide spiral liner blank; 1.5/4.0; for wire Ø 0.8; for 5.00 m		122.0009	1034
120	Guide spiral liner blank; 2.0/4.5; for wire Ø 1.0 - 1.2; for 3.00 m		122.0031	1034
120	Guide spiral liner blank; 2.0/4.5; for wire Ø 1.0 - 1.2; for 4.00 m		122.0036	1034
120	Guide spiral liner blank; 2.0/4.5; for wire Ø 1.0 - 1.2; for 5.00 m		122.0039	1034
130	PTFE core liner 1.5/4.0; blue; wire electrode Ø 0.8 - 1.0; for 3.00 m		126.0005	1034
130	PTFE core liner 1.5/4.0; blue; wire electrode Ø 0.8 - 1.0; for 4.00 m		126.0008	1034
130	PTFE core liner 1.5/4.0; blue; wire electrode Ø 0.8 - 1.0; for 5.00 m		126.0011	1034
130	PTFE core liner 2.0/4.0; red; wire electrode Ø 1.0 - 1.2; for 3.00 m		126.0021	1034
130	PTFE core liner 2.0/4.0; red; wire electrode Ø 1.0 - 1.2; for 4.00 m		126.0026	1034
130	PTFE core liner 2.0/4.0; red; wire electrode Ø 1.0 - 1.2; for 5.00 m		126.0028	1034
130	PTFE carbon core liner 1.5/4.0; wire electrode Ø 0.8 - 1.0; for 3.00 m		127.0002	1034
130	PTFE carbon core liner 1.5/4.0; wire electrode Ø 0.8 - 1.0; for 4.00 m		127.0003	1034
130	PTFE carbon core liner 1.5/4.0; wire electrode Ø 0.8 - 1.0; for 5.00 m		127.0004	1034
130	PTFE carbon core liner 2.0/4.0; wire electrode Ø 1.0 - 1.2; for 3.00 m		127.0005	1034
130	PTFE carbon core liner 2.0/4.0; wire electrode Ø 1.0 - 1.2; for 4.00 m		127.0007	1034
130	PTFE carbon core liner 2.0/4.0; wire electrode Ø 1.0 - 1.2; for 5.00 m		127.0008	1034
131	Nipple for core liner at Ø 4.0	20 Pcs.	131.0001	1095
132	O-Ring 3.5x1.5	20 Pcs.	165.0008	9010
133	Guide tube for core liners up to Ø 4.0 (200 mm)	10 Pcs.	129.0461	1095
140	Combined wire guide cpl. polyamide/brass; wire Ø 1.0 - 1.2; for 3.00 m		128.M002	1034
140	Combined wire guide cpl. polyamide/brass; wire Ø 1.0 - 1.2; for 4.00 m		128.M003	1034
140	Combined wire guide cpl. polyamide/brass; wire Ø 1.0 - 1.2; for 5.00 m		128.M004	1034
141	Brass spiral made up with sleeve (200 mm)	10 Pcs.	001.0305	1095
200	Spanner Standard		191.0001	9010

MIG/MAG Welding Torches MB GRIP 501 / 501 D



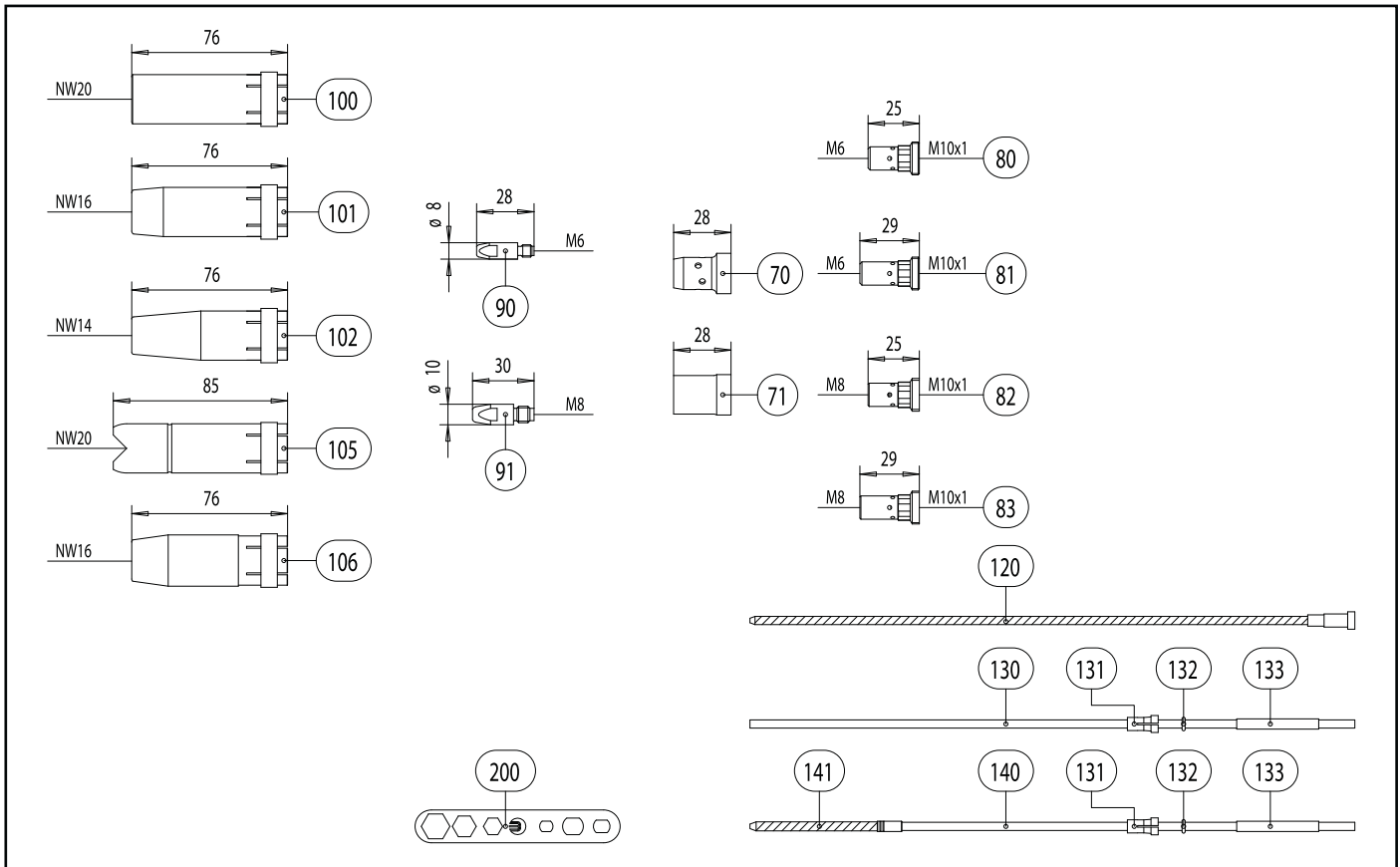
Pos.	Description	Units	Part-No.	Product-group
Torch (D-Version)				
	MB 501 D GRIP; central adaptor WZ-2; 3.00 m		034.0492	1018
	MB 501 D GRIP; central adaptor WZ-2; 4.00 m		034.0493	1018
	MB 501 D GRIP; central adaptor WZ-2; 5.00 m		034.0494	1018
Torch				
	MB 501 GRIP; central adaptor WZ-2; 3.00 m		032.0231	1018
	MB 501 GRIP; central adaptor WZ-2; 4.00 m		032.0232	1018
	MB 501 GRIP; central adaptor WZ-2; 5.00 m		032.0233	1018
Swan neck (D-Version)				
1.1	Swan neck MB GRIP 501 D; 50° bent		034.0496	1009
4	Insulator	20 Pcs.	030.0019	1095
Swan neck				
	Swan neck MB GRIP 501; 50° bent		032.0234	1009
Handle GRIP				
11	Handle GRIP with trigger cpl.		180.0127	1095
11.1	Trigger 2-pole GRIP		185.0101	9010
Cable assembly				
42.1	Wire conduit ABIMIG® GRIP / MB GRIP cpl. for 3.00 m		156.0275	1012
42.1	Wire conduit ABIMIG® GRIP / MB GRIP cpl. for 4.00 m		156.0276	1012
42.1	Wire conduit ABIMIG® GRIP / MB GRIP cpl. for 5.00 m		156.0277	1012
43	Control cable 2-pole	200 m	100.0019	4050
44	Trigger wire connector	20 Pcs.	175.0022	9010
46	Plug	20 Pcs.	175.0004	9010
47	Hose 30 black Ø 4.9x1.5	100 m	109.0040	4050
48	Hose clamp Ø 8.7 mm	100 Pcs.	171.0002	9010
49	Hose 42 RBH black; Ø 5.5x1.5	40 m	109.0052	4050

MIG/MAG Welding Torches MB GRIP 501 / 501 D



Pos.	Description	Units	Part-No.	Product-group
49.1	Code colour ring blue	20 Pcs.	501.2167	9010
49.2	Code colour ring red	20 Pcs.	501.2166	9010
50	Hose 46 black Ø 5.5x1.5 cpl. with plug nipple ND 5; 0.6 m		103.0108	1095
51	Hose clamp Ø 9.0 mm with ring (mark 9.5)	100 Pcs.	173.0001	9010
52	Plug nipple ND 5 mm / Ø 6.0 mm	20 Pcs.	501.0114	9010
52.1	Fastener cap red	20 Pcs.	501.2423	1095
52.2	Fastener cap blue	20 Pcs.	501.2424	1095
	Outer cover Ø 25x1.5	40 m	107.0004	4050
54.2	Ball joint cable protection MB GRIP / ABIMIG® GRIP W (liquid cooled)		400.1392.1	1095
	Inner ring for ABIMIG® / ABIMIG® GRIP / MB GRIP (liquid cooled)		400.0790	1095
56	Cable support machine side big cpl. ND 31		500.0342	9010
56.1	Cable support spring		500.0233	9010
56.1	Biclip inside		400.0328	9010
56.1	Biclip outside		400.0329	9010
57	Pan head screw M4x6	20 Pcs.	000.0552	9010
57.1	Screw cap 1	20 Pcs.	500.0251	9010
58	Adaptor nut M33x2		500.0213	9010
59	Central adaptor WZ-2		501.0015	9010
60	Coupling nut M10x1	10 Pcs.	501.0082	9010
61	O-Ring 4x1	20 Pcs.	165.0002	9010
62	Trigger wire connector; female	20 Pcs.	175.0003	9010
Wear parts MB 501 / 501 D				
70	Gas diffuser, white	10 Pcs.	030.0145	1032
70	Gas diffuser, ceramic	10 Pcs.	030.0190	1032
70	Gas diffuser, long life	10 Pcs.	030.0037	1032
71	Nozzle insulator	10 Pcs.	146.0013	1032

MIG/MAG Welding Torches MB GRIP 501 / 501 D



Pos. Description

Units

Part-No.

Product-group

Pos.	Description	Units	Part-No.	Product-group
Wear parts MB 501 D				
80	Contact tip holder M6; 25.0 mm (short)	10 Pcs.	142.0008	1033
81	Contact tip holder M6; 29.0 mm (long)	10 Pcs.	142.0013	1033
82	Contact tip holder M8; 25.0 mm (short)	10 Pcs.	142.0022	1033
	Contact tip holder M8; 27.0 mm; CuCrZr	10 Pcs.	142.0201.10	1033
83	Contact tip holder M8; 29.0 mm (long)	10 Pcs.	142.0027	1033
Wear parts MB 501 / 501 D				
90	Contact tip M6 E-Cu; Ø 1.0 (8x28)	10 Pcs.	140.0242	1030
90	Contact tip M6 E-Cu; Ø 1.2 (8x28)	10 Pcs.	140.0379	1030
90	Contact tip M6 E-Cu; Ø 1.6 (8x28)	10 Pcs.	140.0555	1030
90	Contact tip M6 CuCrZr; Ø 1.0 (8x28)	10 Pcs.	140.0245	1031
90	Contact tip M6 CuCrZr; Ø 1.2 (8x28)	10 Pcs.	140.0382	1031
90	Contact tip M6 CuCrZr; Ø 1.6 (8x28)	10 Pcs.	140.0558	1031
90	Contact tip M6 CuCrZr silver-plated; Ø 1.0 (8x28)	10 Pcs.	147.0245	1031
90	Contact tip M6 E-Cu; Ø 1.0 for alu wire (8x28)	10 Pcs.	141.0006	1030
90	Contact tip M6 E-Cu; Ø 1.2 for alu wire (8x28)	10 Pcs.	141.0010	1030
90	Contact tip M6 CuCrZr silver-plated; Ø 1.2 (8x28)	10 Pcs.	147.0382	1031
90	Contact tip M6 E-Cu; Ø 1.6 for alu wire (8x28)	10 Pcs.	141.0020	1030
91	Contact tip M8 E-Cu; Ø 1.0 (10x30)	10 Pcs.	140.0313	1030
91	Contact tip M8 E-Cu; Ø 1.2 (10x30)	10 Pcs.	140.0442	1030
91	Contact tip M8 E-Cu; Ø 1.6 (10x30)	10 Pcs.	140.0587	1030
91	Contact tip M8 CuCrZr; Ø 1.0 (10x30)	10 Pcs.	140.0316	1031
91	Contact tip M8 CuCrZr; Ø 1.2 (10x30)	10 Pcs.	140.0445	1031
91	Contact tip M8 CuCrZr silver-plated; Ø 1.0 (10x30)	10 Pcs.	147.0316	1031
91	Contact tip M8 CuCrZr; Ø 1.6 (10x30)	10 Pcs.	140.0590	1031
91	Contact tip M8 CuCrZr silver-plated; Ø 1.2 (10x30)	10 Pcs.	147.0445	1031

MIG/MAG Welding Torches MB GRIP 501 / 501 D

Pos.	Description	Units	Part-No.	Product-group
91	Contact tip M8 CuCrZr silver-plated; Ø 1.6 (10x30)	10 Pcs.	147.0590	1031
91	Contact tip M8 E-Cu; Ø 1.0 for alu wire (10x30)	10 Pcs.	141.0008	1030
91	Contact tip M8 E-Cu; Ø 1.2 for alu wire (10x30)	10 Pcs.	141.0015	1030
91	Contact tip M8 E-Cu; Ø 1.6 for alu wire (10x30)	10 Pcs.	141.0022	1030
100	Gas nozzle; cylindrical; ND Ø 20.0	10 Pcs.	145.0051	1037
101	Gas nozzle; conical; ND Ø 16.0	10 Pcs.	145.0085	1037
102	Gas nozzle; tapered; ND Ø 14.0	10 Pcs.	145.0132	1037
105	Spot weld gas nozzle; ND Ø 20.0	10 Pcs.	145.0179	1037
106	Gas nozzle; heavy duty; ND Ø 16.0 (only use with nozzle insulator)	10 Pcs.	145.0086	1037
120	Guide spiral liner blank; 2.0/4.5; for wire Ø 1.0 - 1.2; for 3.00 m		122.0031	1034
120	Guide spiral liner blank; 2.0/4.5; for wire Ø 1.0 - 1.2; for 4.00 m		122.0036	1034
120	Guide spiral liner blank; 2.0/4.5; for wire Ø 1.0 - 1.2; for 5.00 m		122.0039	1034
120	Guide spiral liner blank; 2.5/4.5; for wire Ø 1.6; for 3.00 m		122.0056	1034
120	Guide spiral liner blank; 2.5/4.5; for wire Ø 1.6; for 4.00 m		122.0060	1034
120	Guide spiral liner blank; 2.5/4.5; for wire Ø 1.6; for 5.00 m		122.0063	1034
130	PTFE core liner 2.0/4.0; red; wire electrode Ø 1.0 - 1.2; for 3.00 m		126.0021	1034
130	PTFE core liner 2.0/4.0; red; wire electrode Ø 1.0 - 1.2; for 4.00 m		126.0026	1034
130	PTFE core liner 2.0/4.0; red; wire electrode Ø 1.0 - 1.2; for 5.00 m		126.0028	1034
130	PTFE core liner 2.7/4.7; yellow; wire electrode Ø 1.6; for 3.00 m		126.0039	1034
130	PTFE core liner 2.7/4.7; yellow; wire electrode Ø 1.6; for 4.00 m		126.0042	1034
130	PTFE core liner 2.7/4.7; yellow; wire electrode Ø 1.6; for 5.00 m		126.0045	1034
130	PTFE carbon core liner 2.0/4.0; wire electrode Ø 1.0 - 1.2; for 3.00 m		127.0005	1034
130	PTFE carbon core liner 2.0/4.0; wire electrode Ø 1.0 - 1.2; for 4.00 m		127.0007	1034
130	PTFE carbon core liner 2.0/4.0; wire electrode Ø 1.0 - 1.2; for 5.00 m		127.0008	1034
130	PTFE carbon core liner 2.7/4.7; wire electrode Ø 1.6; for 3.00 m		127.0010	1034
130	PTFE carbon core liner 2.7/4.7; wire electrode Ø 1.6; for 4.00 m		127.0012	1034
130	PTFE carbon core liner 2.7/4.7; wire electrode Ø 1.6; for 5.00 m		127.0013	1034
131	Nipple for core liner at Ø 4.0	20 Pcs.	131.0001	1095
131	Nipple for core liner at Ø 4.7	20 Pcs.	131.0002	1095
132	O-Ring 3.5x1.5	20 Pcs.	165.0008	9010
133	Guide tube for core liners up to Ø 4.0 (200 mm)	10 Pcs.	129.0461	1095
140	Combined wire guide cpl. polyamide/brass; wire Ø 1.0 - 1.2; for 3.00 m		128.M002	1034
140	Combined wire guide cpl. polyamide/brass; wire Ø 1.0 - 1.2; for 4.00 m		128.M003	1034
140	Combined wire guide cpl. polyamide/brass; wire Ø 1.0 - 1.2; for 5.00 m		128.M004	1034
141	Brass spiral made up with sleeve (200 mm)	10 Pcs.	001.0305	1095
200	Spanner Standard		191.0001	9010