

# Torce per saldatura MIG/MAG "MB EVO"

## Raffreddate ad aria • Prestazioni da 150 A fino a 230 A

La serie di torce MB EVO rappresenta un concetto completamente nuovo creando nuovi percorsi rispetto a forma e funzione. La torcia di saldatura diventa un tutt'uno con la mano del saldatore. L'ergonomica unica formata da impugnatura, posizione e design dell'interruttore e costruzione dello snodo a sfera garantiscono una sensazione ottimale per saldare in tutte le posizioni, così come ottimi risultati.

- Impugnatura a due componenti - robusta ed ergonomica
- Posizione interruttore e design impugnatura ottimali - per utilizzo preciso e sicuro
- Geometria interna unica per le torce ad aria - permette una impugnatura più fredda con caratteristiche di massima forza meccanica.
- Consumabili della collaudata serie "MB" - per una lunga durata
- Connettore centrale robusto e ottimizzato



### MB EVO 15

#### Dati tecnici (EN 60 974-7):

Prestazioni:	180 A CO <sub>2</sub> 150 A miscela gas M21 (DIN EN ISO 14175)
Duty cycle:	60%
Diametro filo:	0,6 - 1,0 mm

### MB EVO 25

#### Dati tecnici (EN 60 974-7):

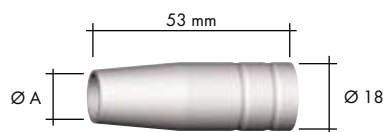
Prestazioni:	230 A CO <sub>2</sub> 200 A miscela gas M21 (DIN EN ISO 14175)
Duty cycle:	60%
Diametro filo:	0,8 - 1,2 mm

Torcia completa Tipo	Impugnatura	N. codice			Lancia Tipo	Lancia N. codice
		3 m	4 m	5 m		
MB EVO 15	Tipo "MB EVO"	002.0709.1	002.0710.1	002.0711.1	50°	002.0715.1
MB EVO 25	Tipo "MB EVO"	004.0668.1	004.0669.1	004.0670.1	50°	004.0663.1

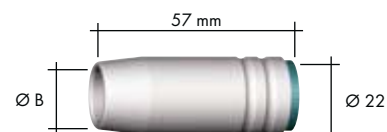
# MB EVO 15, MB EVO 25

## Consumabili

### MB EVO 15

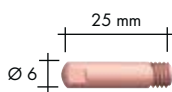


### MB EVO 25



#### Ugello gas (10 pezzi)

	Ø A		Ø B	
Cilindrico	Ø 16	145.0041	Ø 18	145.0042
Conico	Ø 12	145.0075 <sup>1</sup>	Ø 15	145.0076 <sup>2</sup>
Conico stretto	Ø 9,5	145.0123	Ø 11,5	145.0124



#### Ugello porta corrente (10 pezzi)

		M6	M6
E-Cu	Ø 0,6	140.0008	-
	Ø 0,8	140.0059 <sup>1</sup>	140.0051
	Ø 1,0	140.0253	140.0242 <sup>2</sup>
	Ø 1,2	-	140.0379
E-Cu per Al	Ø 0,8	141.0002	141.0001
	Ø 1,0	141.0007	141.0006
	Ø 1,2	-	141.0010
CuCrZr	Ø 0,6	140.0855	-
	Ø 0,8	140.0062	140.0054
	Ø 1,0	140.0256	140.0245
	Ø 1,2	-	140.0382

#### Molla ferma ugello (100 pezzi)



	002.0058 <sup>1</sup>	003.0013 <sup>2</sup>
--	-----------------------	-----------------------

#### Supporto ugello gas/supp. ug. p. corrente



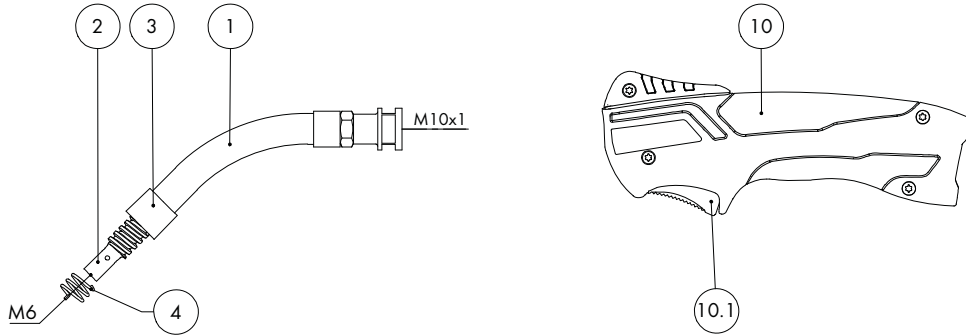
M6	002.0078 <sup>1</sup>	142.0001 <sup>2</sup> (10 pezzi)
----	-----------------------	----------------------------------

Guaina		per 3 m			per 4 m			per 5 m		
		Ø			Ø			Ø		
PTFE	Ø 0,6		124.0137		124.0138		124.0139			
	Ø 0,8		124.0137 <sup>1</sup>		124.0138 <sup>1</sup>		124.0139 <sup>1</sup>			
	Ø 1,0		124.0111 <sup>2</sup>		124.0112 <sup>2</sup>		124.0113 <sup>2</sup>			
	Ø 1,2		124.0111		124.0112		124.0113			
PTFE	Ø 0,6		126.0005		126.0008		126.0011			
	Ø 0,8		126.0005		126.0008		126.0011			
	Ø 1,0		126.0021		126.0026		126.0028			
	Ø 1,2		126.0021		126.0026		126.0028			
carbone	Ø 0,6		127.0002		127.0003		127.0004			
	Ø 0,8		127.0002		127.0003		127.0004			
	Ø 1,0		127.0005		127.0007		127.0008			
	Ø 1,2		127.0005		127.0007		127.0008			

<sup>1</sup> Incluso nella dotazione standard per le torce complete MB EVO 15.

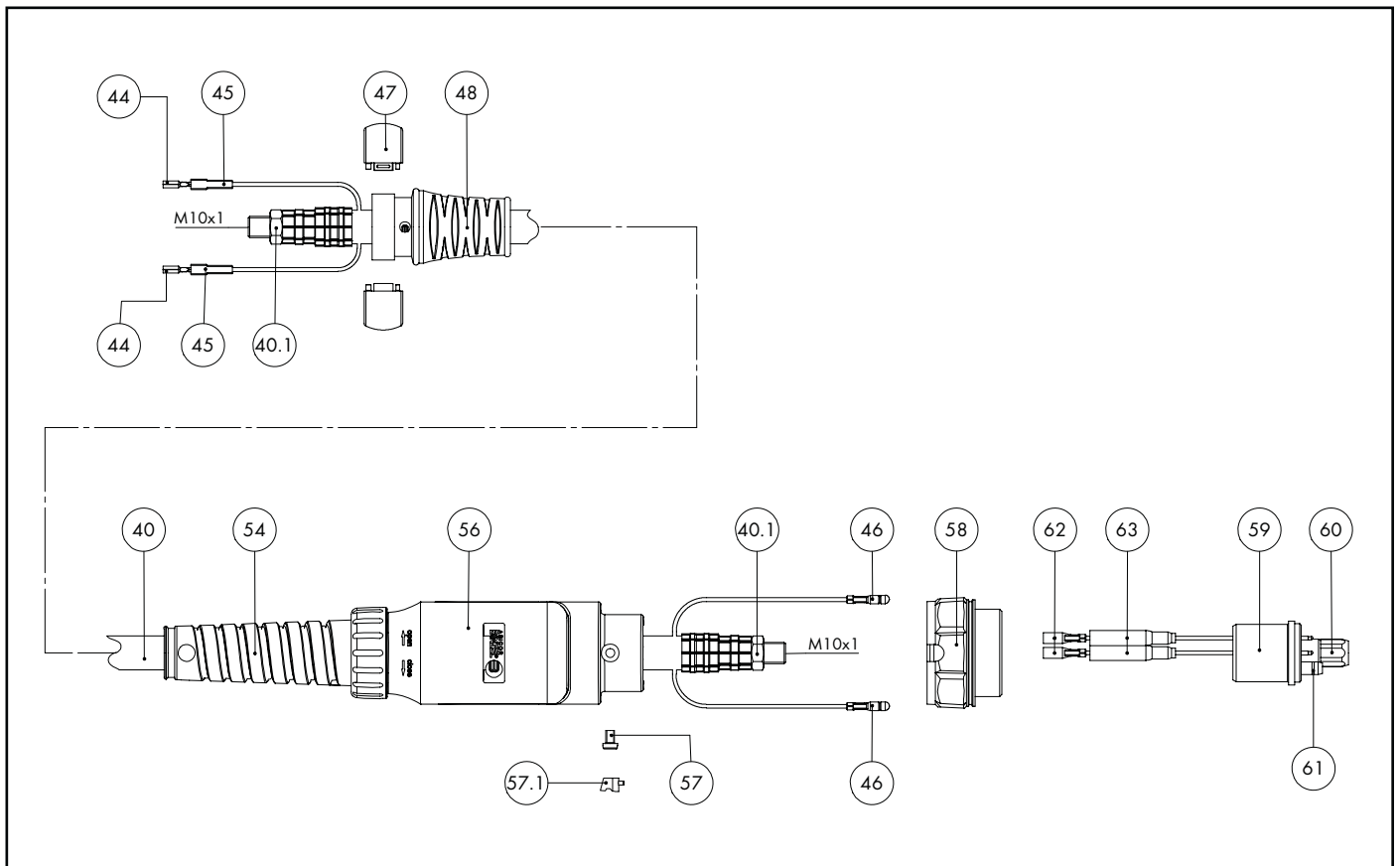
<sup>2</sup> Incluso nella dotazione standard per le torce complete MB EVO 25.

# MIG/MAG Welding Torches MB EVO 15



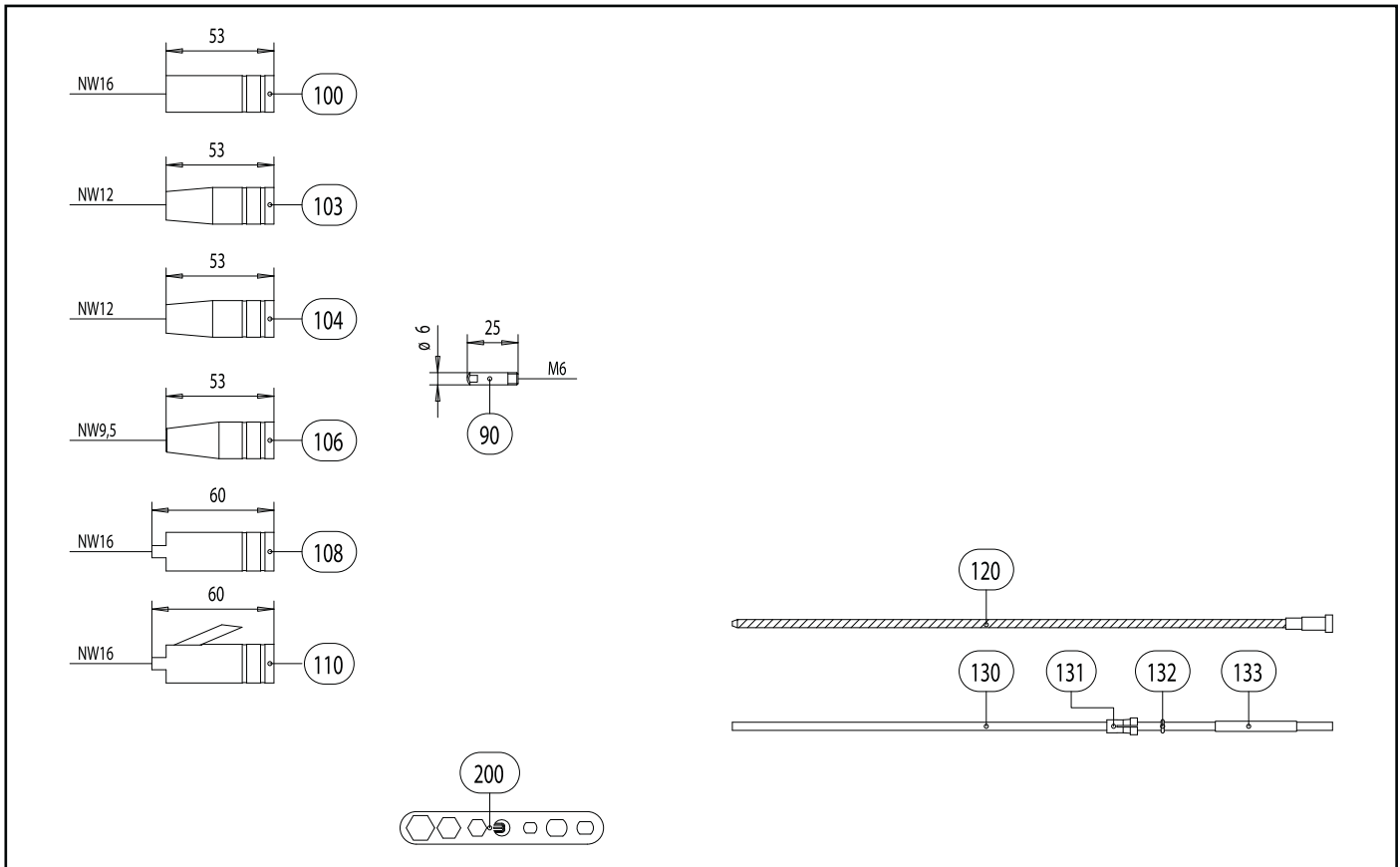
Pos.	Description	Details	Part-No.	Product group
<b>Torch</b>				
	MB EVO 15; central adaptor KZ-2; 3.00 m		002.0709.1	1063
	MB EVO 15; central adaptor KZ-2; 4.00 m		002.0710.1	1063
	MB EVO 15; central adaptor KZ-2; 5.00 m		002.0711.1	1063
<b>Swan neck</b>				
1	Swan neck MB EVO PRO 15; 50° bent		002.0715.1	1007
2	Gas nozzle holder		002.0078	1095
3	Head insulator	10 Pcs.	002.0050	1095
4	Nozzle spring	100 Pcs.	002.0058	1095
<b>Handle MB EVO 2K</b>				
10	Handle MB EVO 2K; 2-pole ac complete		180.0178.1	1095
10.1	Trigger ergonomic 2-pole; MB EVO PRO / MB EVO		185.0142.1	9010
<b>Cable assembly</b>				
40	Bikox® power cable, R10 for 3.00 m		160.1291.1	1511
40	Bikox® power cable, R10 for 4.00 m		160.1292.1	1511
40	Bikox® power cable, R10 for 5.00 m		160.1293.1	1511
40.1	Hexagon nut M10x1	10 Pcs.	001.0009	9010
44	Trigger wire connector	20 Pcs.	175.0022	9010
45	Insulating sleeve	20 Pcs.	400.0119	1095
46	Male connector	20 Pcs.	175.0004	9010
47	Half ring D=37 black; MB EVO	2 Pcs.	400.D451.2	1595
48	Cable support short ND 17-22		400.D574.1	1595
54	Cable support ND 19		400.1010	1095
56	Connection housing ac complete; MB EVO PRO / MB EVO		501.2673.1	9010
57	Pan head screw M4x6	20 Pcs.	000.0552	9010
57.1	Screw cap 1	20 Pcs.	500.0251	9010

# MIG/MAG Welding Torches MB EVO 15



Pos.	Description	Details	Part-No.	Product group
58	Adaptor nut M33x2		500.0213	9010
59	Central adaptor KZ-2		501.0003	1095
60	Coupling nut M10x1	10 Pcs.	501.D536	1595
61	O-Ring 4x1	20 Pcs.	165.0002	9010
62	Trigger wire connector; female	20 Pcs.	175.0003	9010
63	Insulating sleeve for central adapter	20 Pcs.	501.2609.20	1395
<b>Wear parts</b>				
90	Contact tip M6 E-Cu; Ø 0.6 (6x25)	10 Pcs.	140.0008	1030
90	Contact tip M6 E-Cu; Ø 0.8 (6x25)	10 Pcs.	140.0059	1030
90	Contact tip M6 E-Cu; Ø 1.0 (6x25)	10 Pcs.	140.0253	1030
90	Contact tip M6 CuCrZr; Ø 0.6 (6x25)	10 Pcs.	140.0855	1031
90	Contact tip M6 CuCrZr; Ø 0.8 (6x25)	10 Pcs.	140.0062	1031
90	Contact tip M6 CuCrZr; Ø 1.0 (6x25)	10 Pcs.	140.0256	1031
90	Contact tip M6 E-Cu; Ø 0.8 for alu wire (6x25)	10 Pcs.	141.0002	1030
90	Contact tip M6 E-Cu; Ø 1.0 for alu wire (6x25)	10 Pcs.	141.0007	1030
90	Contact tip M6 CuCrZr silver-plated; Ø 0.8 (6x25)	10 Pcs.	147.0062	1031
90	Contact tip M6 CuCrZr silver-plated; Ø 1.0 (6x25)	10 Pcs.	147.0256	1031
100	Gas nozzle; cylindrical; ND Ø 16.0	10 Pcs.	145.0041	1036
103	Gas nozzle; conical; ND Ø 12.0	10 Pcs.	145.0075	1036
104	Gas nozzle; conical; with extended insulation; ND Ø 12.0	10 Pcs.	145.0107	1036
106	Gas nozzle; tapered; ND Ø 9.5	10 Pcs.	145.0123	1036
108	Spot weld gas nozzle; ND Ø 16.0	10 Pcs.	145.0168	1036
110	Spot weld gas nozzle for pin-welding; ND Ø 16.0	10 Pcs.	145.0186	1036
120	Guide spiral liner insulated; 1.5/4.0; blue; for wire Ø 0.6–0.8; for 3.00 m		124.0011	1034
120	Guide spiral liner insulated; 1.5/4.0; blue; for wire Ø 0.6–0.8; for 4.00 m		124.0012	1034
120	Guide spiral liner insulated; 1.5/4.0; blue; for wire Ø 0.6–0.8; for 5.00 m		124.0015	1034

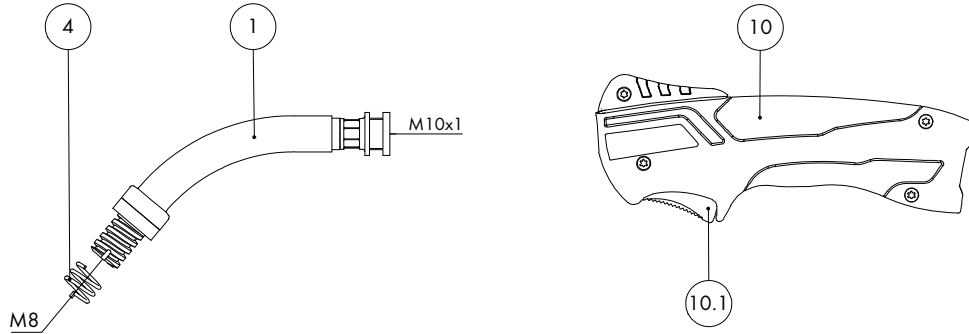
# MIG/MAG Welding Torches MB EVO 15



## Pos. Description

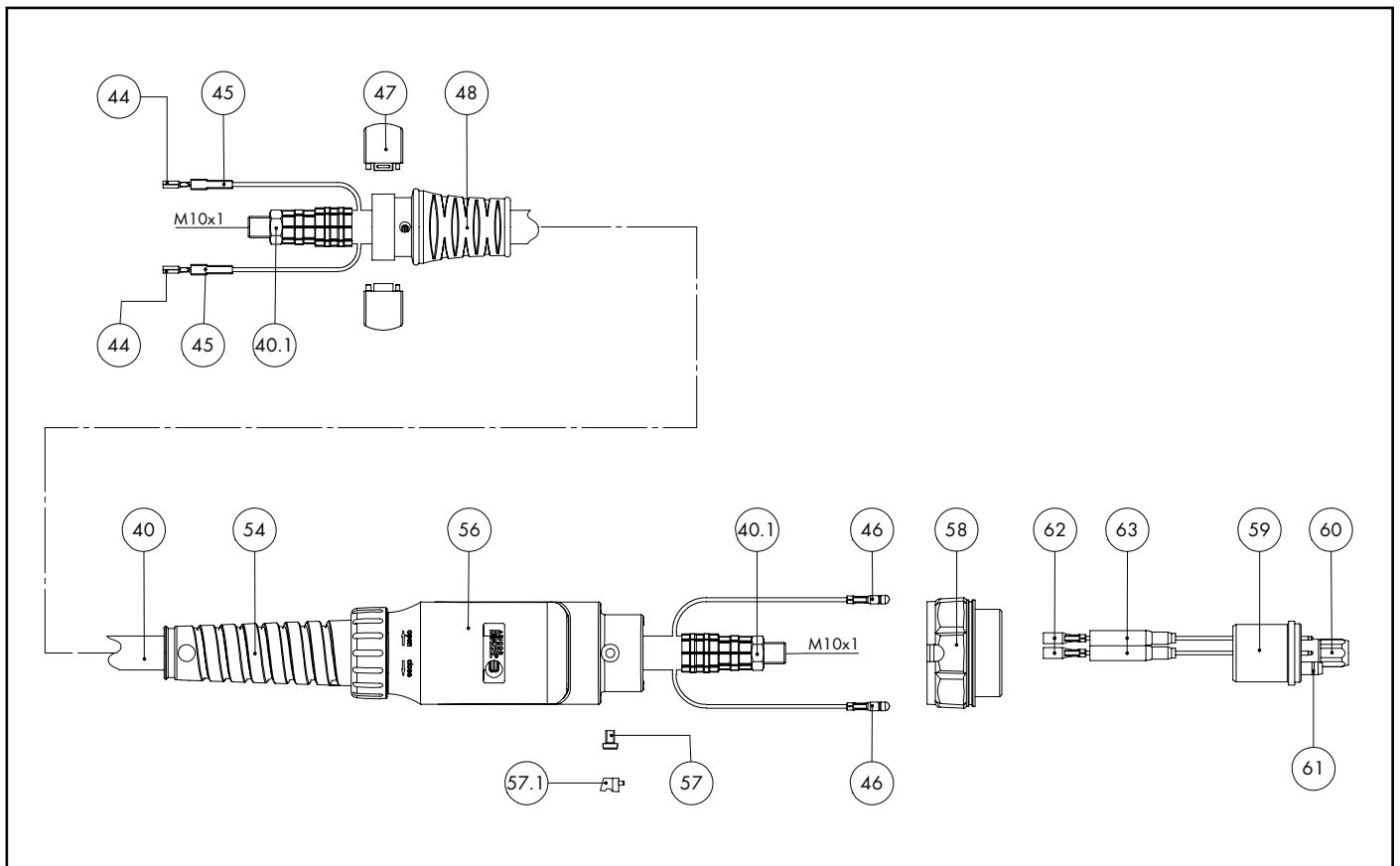
Pos.	Description	Details	Part-No.	Product group
120	Guide spiral liner insulated; 2.0/4.5; red; for wire $\varnothing$ 1.0-1.2; for 3.00 m		124.0026	1034
120	Guide spiral liner insulated; 2.0/4.5; red; for wire $\varnothing$ 1.0-1.2; for 4.00 m		124.0031	1034
120	Guide spiral liner insulated; 2.0/4.5; red; for wire $\varnothing$ 1.0-1.2; for 5.00 m		124.0035	1034
130	PTFE core liner 1.5/4.0; blue; wire electrode $\varnothing$ 0.8-1.0; for 3.00 m		126.0005	1034
130	PTFE core liner 1.5/4.0; blue; wire electrode $\varnothing$ 0.8-1.0; for 4.00 m		126.0008	1034
130	PTFE core liner 1.5/4.0; blue; wire electrode $\varnothing$ 0.8-1.0; for 5.00 m		126.0011	1034
130	PTFE core liner 2.0/4.0; red; wire electrode $\varnothing$ 1.0-1.2; for 3.00 m		126.0021	1034
130	PTFE core liner 2.0/4.0; red; wire electrode $\varnothing$ 1.0-1.2; for 4.00 m		126.0026	1034
130	PTFE core liner 2.0/4.0; red; wire electrode $\varnothing$ 1.0-1.2; for 5.00 m		126.0028	1034
130	PTFE carbon core liner 1.5/4.0; wire electrode $\varnothing$ 0.8-1.0; for 3.00 m		127.0002	1034
130	PTFE carbon core liner 1.5/4.0; wire electrode $\varnothing$ 0.8-1.0; for 4.00 m		127.0003	1034
130	PTFE carbon core liner 1.5/4.0; wire electrode $\varnothing$ 0.8-1.0; for 5.00 m		127.0004	1034
130	PTFE carbon core liner 2.0/4.0; wire electrode $\varnothing$ 1.0-1.2; for 3.00 m		127.0005	1034
130	PTFE carbon core liner 2.0/4.0; wire electrode $\varnothing$ 1.0-1.2; for 4.00 m		127.0007	1034
130	PTFE carbon core liner 2.0/4.0; wire electrode $\varnothing$ 1.0-1.2; for 5.00 m		127.0008	1034
131	Nipple for core liner at $\varnothing$ 4.0	20 Pcs.	131.0001	1095
132	O-Ring 3.5x1.5	20 Pcs.	165.0008	9010
133	Guide tube for core liners up to $\varnothing$ 4.0 (200 mm)	10 Pcs.	129.0461	1095
200	Spanner Standard	10 Pcs.	191.0001	9010

# MIG/MAG Welding Torches MB EVO 25



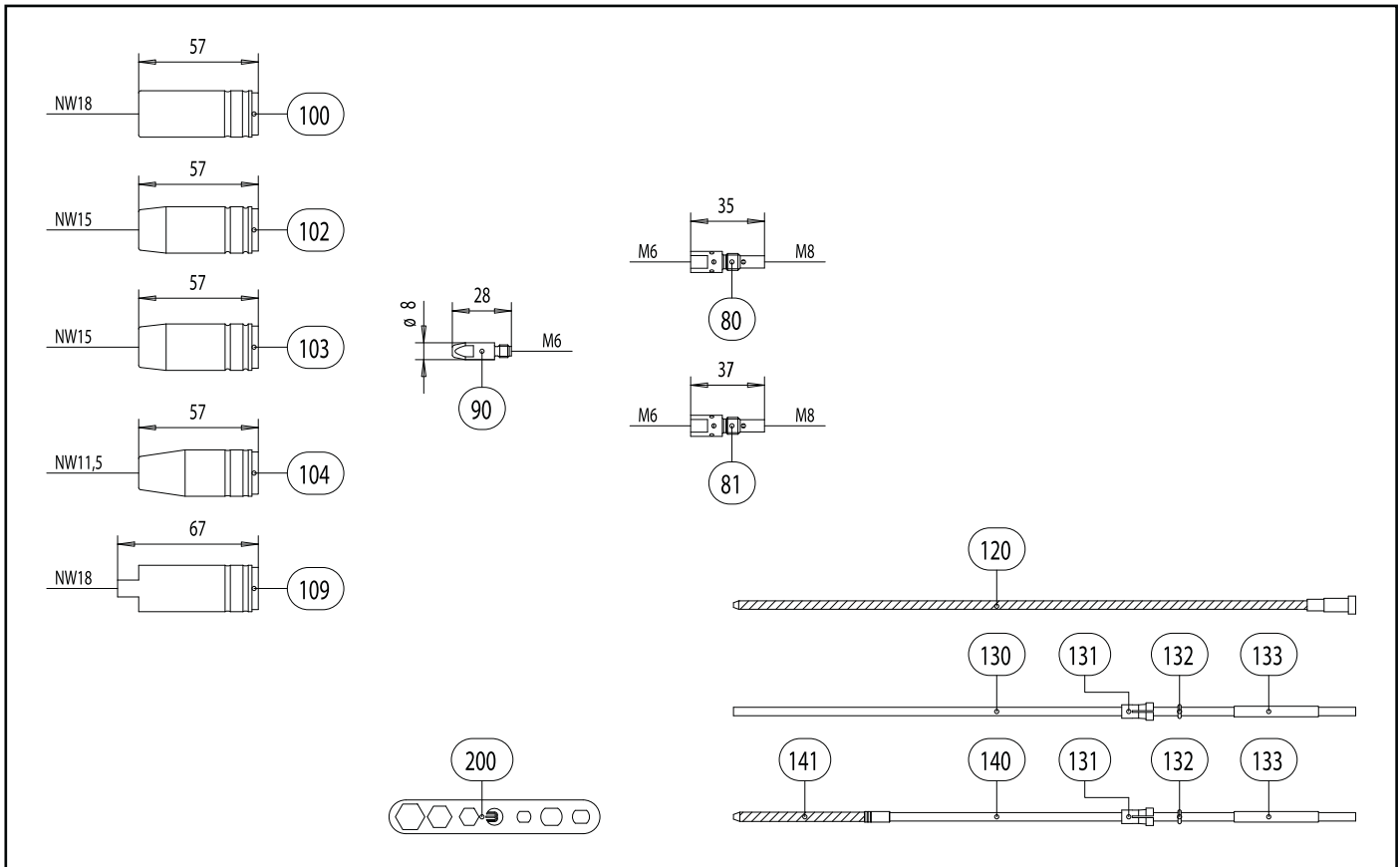
Pos.	Description	Details	Part-No.	Product group
<b>Torch</b>				
	MB EVO 25; central adaptor KZ-2; 3.00 m		004.0668.1	1063
	MB EVO 25; central adaptor KZ-2; 4.00 m		004.0669.1	1063
	MB EVO 25; central adaptor KZ-2; 5.00 m		004.0670.1	1063
<b>Swan neck</b>				
1	Swan neck MB EVO PRO 25; 50° bent		004.0663.1	1007
4	Nozzle spring	100 Pcs.	003.0013	1095
<b>Handle MB EVO 2K</b>				
10	Handle MB EVO 2K; 2-pole ac complete		180.0178.1	1095
10.1	Trigger ergonomic 2-pole; MB EVO PRO / MB EVO		185.0142.1	9010
<b>Cable assembly</b>				
40	Bikox <sup>®</sup> power cable, R20 for 3.00 m		160.1294.1	1511
40	Bikox <sup>®</sup> power cable, R20 for 4.00 m		160.1295.1	1511
40	Bikox <sup>®</sup> power cable, R20 for 5.00 m		160.1296.1	1511
40.1	Hexagon nut M10x1	10 Pcs.	001.0009	9010
44	Trigger wire connector	20 Pcs.	175.0022	9010
45	Insulating sleeve	20 Pcs.	400.0119	1095
46	Male connector	20 Pcs.	175.0004	9010
47	Half ring D=37 black; MB EVO	2 Pcs.	400.D451.2	1595
48	Cable support short ND 17-22		400.D574.1	1595
54	Cable support ND 19		400.1010	1095
56	Connection housing ac complete; MB EVO PRO / MB EVO		501.2673.1	9010
57	Pan head screw M4x6	20 Pcs.	000.0552	9010
57.1	Screw cap 1	20 Pcs.	500.0251	9010
58	Adaptor nut M33x2		500.0213	9010
59	Central adaptor KZ-2		501.0003	1095

# MIG/MAG Welding Torches MB EVO 25



Pos.	Description	Details	Part-No.	Product group
60	Coupling nut M10x1	10 Pcs.	501.D536	1595
61	O-Ring 4x1	20 Pcs.	165.0002	9010
62	Trigger wire connector; female	20 Pcs.	175.0003	9010
63	Insulating sleeve for central adapter	20 Pcs.	501.2609.20	1395
<b>Wear parts</b>				
80	Contact tip holder M6; 35.0 mm	10 Pcs.	142.0001	1033
81	Contact tip holder M6; 37.0 mm	10 Pcs.	142.0267.10	1033
90	Contact tip M6 E-Cu; Ø 0.8 (8x28)	10 Pcs.	140.0051	1030
90	Contact tip M6 E-Cu; Ø 1.0 (8x28)	10 Pcs.	140.0242	1030
90	Contact tip M6 E-Cu; Ø 1.2 (8x28)	10 Pcs.	140.0379	1030
90	Contact tip M6 CuCrZr; Ø 0.8 (8x28)	10 Pcs.	140.0054	1031
90	Contact tip M6 CuCrZr; Ø 1.0 (8x28)	10 Pcs.	140.0245	1031
90	Contact tip M6 CuCrZr; Ø 1.2 (8x28)	10 Pcs.	140.0382	1031
90	Contact tip M6 E-Cu; Ø 0.8 for alu wire (8x28)	10 Pcs.	141.0001	1030
90	Contact tip M6 E-Cu; Ø 1.0 for alu wire (8x28)	10 Pcs.	141.0006	1030
90	Contact tip M6 E-Cu; Ø 1.2 for alu wire (8x28)	10 Pcs.	141.0010	1030
90	Contact tip M6 CuCrZr silver-plated; Ø 0.8 (8x28)	10 Pcs.	147.0054	1031
90	Contact tip M6 CuCrZr silver-plated; Ø 1.0 (8x28)	10 Pcs.	147.0245	1031
90	Contact tip M6 CuCrZr silver-plated; Ø 1.2 (8x28)	10 Pcs.	147.0382	1031
100	Gas nozzle; cylindrical; ND Ø 18.0	10 Pcs.	145.0042	1036
102	Gas nozzle; conical; ND Ø 15.0	10 Pcs.	145.0076	1036
103	Gas nozzle; conical; with extended insulation; ND Ø 15.0	10 Pcs.	145.0100	1036
104	Gas nozzle; tapered; ND Ø 11.5	10 Pcs.	145.0124	1036
109	Spot weld gas nozzle; ND Ø 18.0	10 Pcs.	145.0169	1036
120	Guide spiral liner insulated; 1.5/4.0; blue; for wire Ø 0.6–0.8; for 3.00 m		124.0011	1034
120	Guide spiral liner insulated; 1.5/4.0; blue; for wire Ø 0.6–0.8; for 4.00 m		124.0012	1034

# MIG/MAG Welding Torches MB EVO 25



## Pos. Description

## Details

## Part-No.

## Product group

Pos.	Description	Details	Part-No.	Product group
120	Guide spiral liner insulated; 1.5/4.0; blue; for wire Ø 0.6-0.8; for 5.00 m		124.0015	1034
120	Guide spiral liner insulated; 2.0/4.5; red; for wire Ø 1.0-1.2; for 3.00 m		124.0026	1034
120	Guide spiral liner insulated; 2.0/4.5; red; for wire Ø 1.0-1.2; for 4.00 m		124.0031	1034
120	Guide spiral liner insulated; 2.0/4.5; red; for wire Ø 1.0-1.2; for 5.00 m		124.0035	1034
130	PTFE core liner 1.5/4.0; blue; wire electrode Ø 0.8-1.0; for 3.00 m		126.0005	1034
130	PTFE core liner 1.5/4.0; blue; wire electrode Ø 0.8-1.0; for 4.00 m		126.0008	1034
130	PTFE core liner 1.5/4.0; blue; wire electrode Ø 0.8-1.0; for 5.00 m		126.0011	1034
130	PTFE core liner 2.0/4.0; red; wire electrode Ø 1.0-1.2; for 3.00 m		126.0021	1034
130	PTFE core liner 2.0/4.0; red; wire electrode Ø 1.0-1.2; for 4.00 m		126.0026	1034
130	PTFE core liner 2.0/4.0; red; wire electrode Ø 1.0-1.2; for 5.00 m		126.0028	1034
130	PTFE carbon core liner 1.5/4.0; wire electrode Ø 0.8-1.0; for 3.00 m		127.0002	1034
130	PTFE carbon core liner 1.5/4.0; wire electrode Ø 0.8-1.0; for 4.00 m		127.0003	1034
130	PTFE carbon core liner 1.5/4.0; wire electrode Ø 0.8-1.0; for 5.00 m		127.0004	1034
130	PTFE carbon core liner 2.0/4.0; wire electrode Ø 1.0-1.2; for 3.00 m		127.0005	1034
130	PTFE carbon core liner 2.0/4.0; wire electrode Ø 1.0-1.2; for 4.00 m		127.0007	1034
130	PTFE carbon core liner 2.0/4.0; wire electrode Ø 1.0-1.2; for 5.00 m		127.0008	1034
131	Nipple for core liner at Ø 4.0	20 Pcs.	131.0001	1095
132	O-Ring 3.5x1.5	20 Pcs.	165.0008	9010
133	Guide tube for core liners up to Ø 4.0 (200 mm)	10 Pcs.	129.0461	1095
140	Combined wire guide cpl. polyamide/brass; wire Ø 1.0-1.2; for 3.00 m		128.M002	1034
140	Combined wire guide cpl. polyamide/brass; wire Ø 1.0-1.2; for 4.00 m		128.M003	1034
140	Combined wire guide cpl. polyamide/brass; wire Ø 1.0-1.2; for 5.00 m		128.M004	1034
141	Brass spiral made up with sleeve (200 mm)	10 Pcs.	001.0305	1095
200	Spanner Standard	10 Pcs.	191.0001	9010