

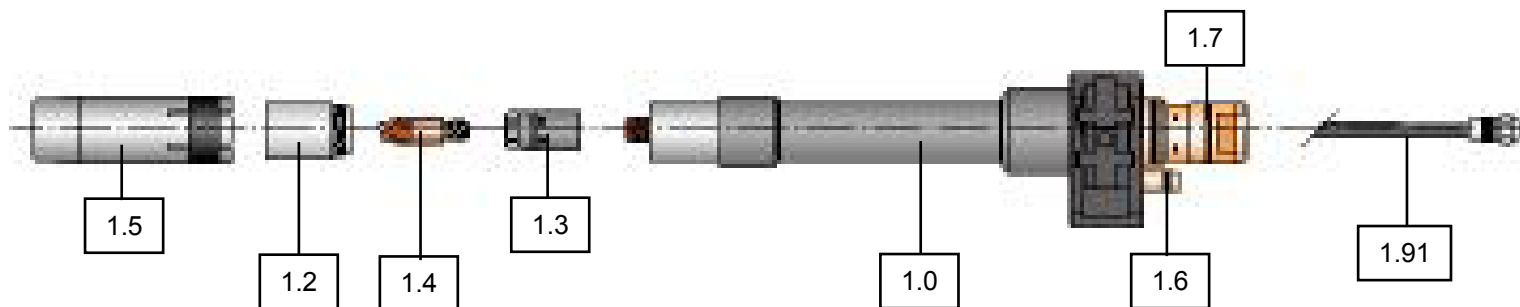
WH 242D

Caratteristiche tecniche:

280 A - Miscela 82/18

100% ED/ Duty Cycle

Filo-Ø: 0,8 - 1,2 mm



1.0	Lancia/ torch neck WH 242D	0°	962.1314	1.91	Spezzone guaina / Neck Liner - Acciaio/ steel		
	Lancia/ torch neck WH 242D	22°	962.1315		WH 242D 0°/ 22°	0,8 - 0,9 mm	962.0206
	Lancia/ torch neck WH 242D	45°	962.1316			1,0 - 1,2 mm	962.0390
					WH 242D - 45°	0,8 - 0,9 mm	962.0222
1.2	Isolante/ Insulator		146.0066			1,0 - 1,2 mm	962.0029
1.3	Supp. Ug p.c./ Tip adapter M6/ M 9x1	L= 23,5 mm	142.0149		Spezzone guaina - Aluminium/ Stainless steel		
1.4	Ugello porta corrente / Contact tip - M6 CuCrZn; Ø8/28 mm	Ø 0,8 mm	140.0054		WH 242D - 0°/22°	0,8 - 0,9 mm	962.0208
		Ø 0,9 mm	140.0172			1,0 - 1,2 mm	962.0209
		Ø 1,0 mm	140.0245		WH 242D - 45°	0,8 - 0,9 mm	962.0224
		Ø 1,2 mm	140.0382			1,0 - 1,2 mm	962.0225
1.5	Ugello gas / Gas nozzle				Non in. fig.		
	Conico/ conical	NW 15,5	L= 62 mm	145.0090	BRS-LC Prisma / v-block		831.0314
	Conico/ conical	NW 13,0	L= 62 mm	145.0135	BRS-FP Ganasce / clamp set		831.0146
	Conico/ conical	NW 15,5	L = 57 mm	145.0472	Fresa / Reamer NW 13 mm		831.0564
	Conico/ conical	NW 13,0	L = 57 mm	145.0473	NW 15,5mm		831.0563
1.6	O -Ring 3,5 x 1,2 mm		165.0062		Piastra di riscontro/ alignment jig		837.0020
1.7	O -Ring 15 x 1,5 mm		165.0015				