

MIG/MAG welding torches "ABIMIG® A T LW"

Air cooled • rating 260 A up to 400 A

- New welding torch series and lightweight "Bikox® LW" cable assembly - Up to 50% lighter than comparable standard torches
- Newly designed ergonomic torch handle, available with optional Up/Down module - Improved working comfort
- Universal contact tip holder (contact tip holder, gas diffuser and gas nozzle holder all in one) - Reduces stocking requirements and costs
- Screwable, thermally insulated gas nozzle - Longer service life of the torch - Cost reduction
- Turnable, quick-change torch neck - increased working comfort and reduction of service costs



ABIMIG® A T 305 LW

Technical data (EN 60 974-7):

Rating: 290 A CO₂
260 A mixed gas M21
(DIN EN ISO 14175)

Duty cycle: 60%

Wire size: 0.8-1.2 mm

ABIMIG® A T 355 LW

Technical data (EN 60 974-7):

Rating: 340 A CO₂
320 A mixed gas M21
(DIN EN ISO 14175)

Duty cycle: 60%

Wire size: 1.0-1.6 mm

ABIMIG® A T 405 LW*

Technical data (EN 60 974-7):

Rating: 400 A CO₂
370 A mixed gas M21
(DIN EN ISO 14175)

Duty cycle: 60%

Wire size: 1.0-1.6 mm
(up to 2.4 mm on demand)

Super lightweight torches
with turnable and
changeable torch neck

Torch complete Type	Handle	Part-No.			Swan neck	
		3 m	4 m	5 m	Type	Part-No.
ABIMIG® A T 305 LW	Push-button short	018.D953.1	018.D954.1	018.D955.1	45°	014.H356.1
ABIMIG® A T 305 LW	Push-button long	018.D960.1	018.D961.1	018.D962.1	45°	014.H356.1
ABIMIG® A T 355 LW	Push-button short	014.H509.1	014.H510.1	014.H511.1	45°	014.H363.1
ABIMIG® A T 355 LW	Push-button long	014.H390.1	014.H391.1	014.H392.1	45°	014.H363.1
ABIMIG® A T 405 LW	Push-button short	015.D101.1	015.D102.1	015.D103.1	45°	015.D082.1
ABIMIG® A T 405 LW	Push-button long	015.D070.1	015.D071.1	015.D072.1	45°	015.D082.1

Definition: T = turnable/exchangeable torch neck, LW = lightweight cable assembly

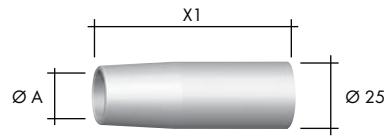
Attention: The specified variants correspond to the „BASIC“ version. Further versions (COMBI, VARIO, FREE STYLE) on request.

* The ABIMIG® A T 405 LW is adjustable in 45° steps.

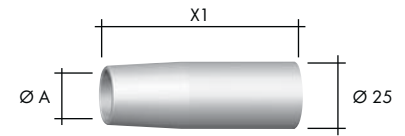
ABIMIG® A T 305 LW, ABIMIG® A T 355 LW, ABIMIG® A T 405 LW

Wear parts

ABIMIG® A T 305 / 355 LW

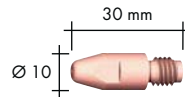


ABIMIG® A T 405 LW

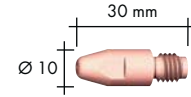


Gas nozzle (5 pcs.)

	Ø A	X1		Ø A	X1	
Cylindrical	Ø 21	71 mm	145.D024	Ø 21	71 mm	145.D024
Conical	Ø 18	72 mm	145.D021 ^{1,2}	Ø 18	72 mm	145.D021 ³
Conical	Ø 16	69 mm	145.D022	Ø 16	69 mm	145.D022



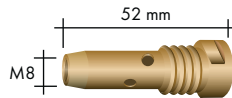
M8



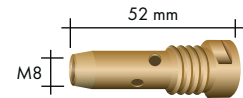
M8

Contact tip (10 pcs.)

E-Cu	Ø 0.8	140.0114	140.0114
	Ø 1.0	140.0313	140.0313
	Ø 1.2	140.0442	140.0442
	Ø 1.6	140.0587	140.0587
E-Cu for Al	Ø 0.8	141.0003	-
	Ø 1.0	141.0008	141.0008
	Ø 1.2	141.0015	141.0015
	Ø 1.6	141.0022	141.0022
CuCrZr	Ø 0.8	140.0117	-
	Ø 1.0	140.0316	140.0316
	Ø 1.2	140.0445 ^{1,2}	140.0445
	Ø 1.6	140.0590	140.0590 ³



M8



M8

Contact tip holder (5 pcs.)

M8	014.D745.5 ^{1,2}	014.D745.5 ³
----	---------------------------	-------------------------



Adapter piece (5 pcs.)

	767.D668.5 ^{1,2}	015.D080.5 ³
--	---------------------------	-------------------------

Torch neck liner for T-torches



Standard	Ø 0.8	122.D037 (5 pcs.)	-
	Ø 1.0-1.2	122.D038 ^{1,2} (5 pcs.)	122.D077 (5 pcs.)
	Ø 1.6	122.D045 (5 pcs.)	122.D078 ³ (5 pcs.)
Brass for Al	Ø 1.0	122.D040	122.D040
	Ø 1.0-1.2	122.D041	122.D041

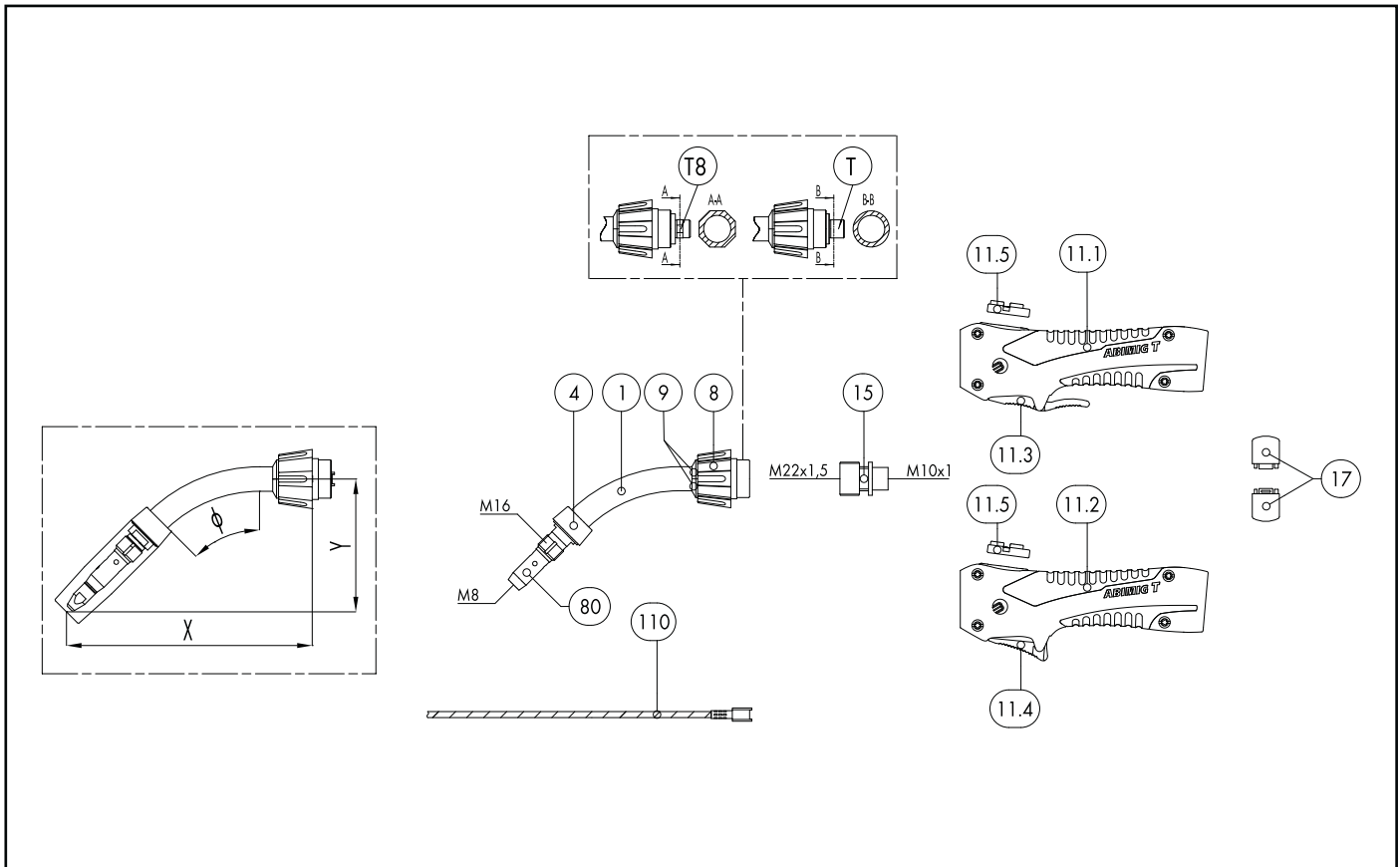
Liner		305 / 355		405		305 / 355		405	
		for 3 m	for 3 m	for 4 m	for 4 m	for 5 m	for 5 m		
Liner	0.8	124.0011	-	124.0012	-	124.0015	-		
	1.0	124.0026	124.D113	124.0031	124.D114	124.0035	124.D115		
	1.2	124.0026 ^{1,2}	124.D113	124.0031 ^{1,2}	124.D114	124.0035 ^{1,2}	124.D115		
	1.6	124.0041	124.D116 ³	124.0042	124.D117 ³	124.0044	124.D118 ³		
PTFE liner	0.8	126.0005	-	126.0008	-	126.0011	-		
	1.0	126.0021	-	126.0026	-	126.0028	-		
	1.2	126.0021	-	126.0026	-	126.0028	-		
	1.6	126.0039	-	126.0042	-	126.0045	-		
Carbon PTFE liner	0.8	127.0002	-	127.0003	-	127.0004	-		
	1.0	127.0005	-	127.0007	-	127.0008	-		
	1.2	127.0005	-	127.0007	-	127.0008	-		
	1.6	127.0010	-	127.0012	-	127.0013	-		

¹ Included in the standard equipment for complete torches ABIMIG® A T 305 LW.

² Included in the standard equipment for complete torches ABIMIG® A T 355 LW.

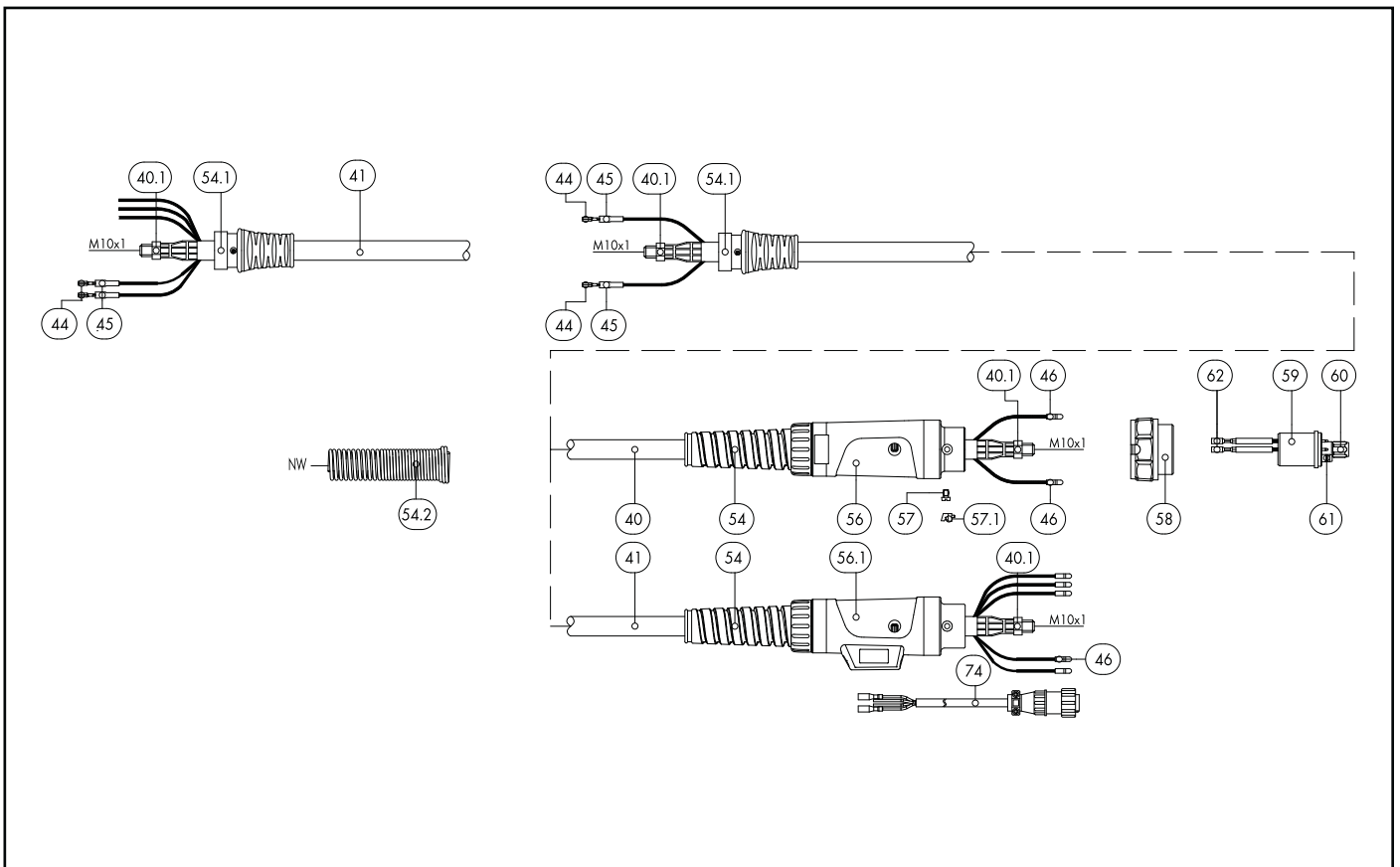
³ Included in the standard equipment for complete torches ABIMIG® A T 405 LW.

MIG/MAG Welding Torches ABIMIG® A T 305 LW



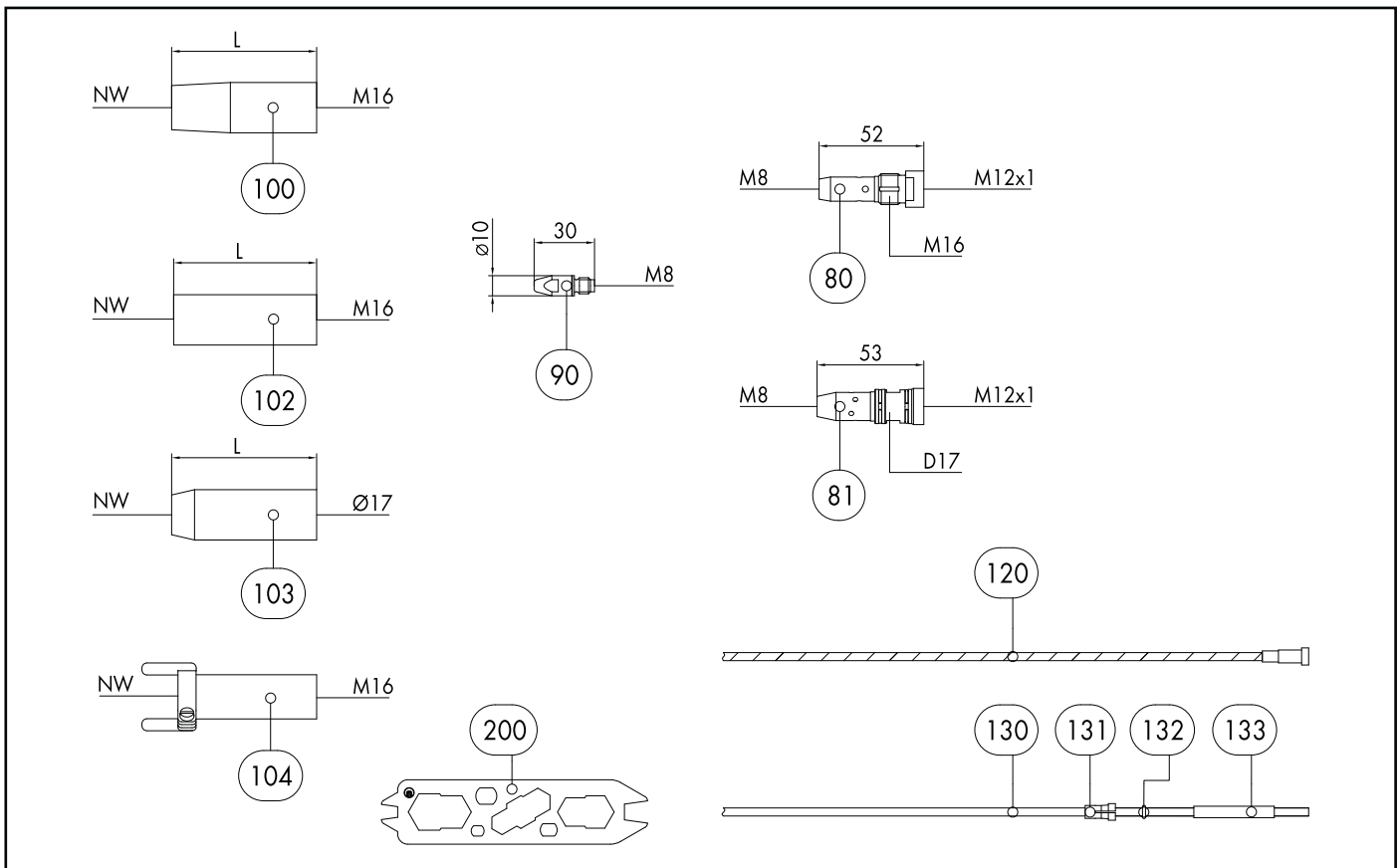
Pos.	Description	Units	Part-No.	Product-group
	Basic torch (complete)			
	ABIMIG® A T 305 LW; TM45j; central adaptor KZ-2; 3.00 m		018.D960.1	1324
	ABIMIG® A T 305 LW; TM45j; central adaptor KZ-2; 4.00 m		018.D961.1	1324
	ABIMIG® A T 305 LW; TM45j; central adaptor KZ-2; 5.00 m		018.D962.1	1324
	Combi torch (basic torch without neck and wear parts)			
			018.D978.1	1326
			018.D979.1	1326
			018.D980.1	1326
	Swan neck			
1			014.H403.1	1308
1	Swan neck ABIMIG® A 305 LW; 45j bent		014.H356.1	1308
1	Swan neck ABIMIG® A 355 LW; 45j bent		014.H363.1	1308
1			014.H370.1	1308
1			014.H374.1	1308
1			014.H380.1	1308
1			014.H413.1	1308
1			014.H415.1	1308
1			014.H583.1	1308
1			014.H588.1	1308
1			014.H555.1	1308
1			014.H560.1	1308
			014.H409.1	1308
			014.H387.1	1308
			014.H388.1	1308
			014.H389.1	1308
			014.H587.1	1308

MIG/MAG Welding Torches ABIMIG® A T 305 LW



Pos.	Description	Units	Part-No.	Product-group
			014.H592.1	1308
			014.H594.1	1308
			014.H596.1	1308
			014.H597.1	1308
			014.H398.1	1326
			014.H399.1	1326
!!!	IdentNr '018.D801' nicht gefunden...			
			014.0467.1	1308
			014.0468.1	1308
			014.0469.1	1308
			014.0470.1	1308
			014.0471.1	1308
			014.0472.1	1308
			014.0473.1	1308
			014.0474.1	1308
			014.0475.1	1308
			014.0476.1	1308
			014.0477.1	1308
			014.0478.1	1308
			018.0191.1	1308
4	Spacer	5 Pcs.	767.D668.5	1595
4		5 Pcs.	767.D898.5	1595
8			014.H279.1	1595
9		10 Pcs.	014.H282.10	1595
	Handle			
11.1	Handle ABIMIG® A T with push-button long		180.D077.1	1595

MIG/MAG Welding Torches ABIMIG® A T 305 LW



Pos.	Description	Units	Part-No.	Product-group
11.1	Handle ABIMIG® A T with push-button long (without module BIS-52)		180.D079.1	1595
11.2	Handle ABIMIG® A T with push-button short		180.D078.1	1595
11.2	Handle ABIMIG® A T with push-button short (without module BIS-52)		180.D080.1	1595
11.3			185.D118.1	1595
11.4			185.D120.1	1595
11.5			400.D573.1	1595
15			014.H354.1	1595
17	Half rings (1 pair)	2 Pcs.	400.D561.2	1595
	Cable assembly			
40	Bikox® LW-power cable, R6 for 3.00 m		160.H039.1	1511
40	Bikox® LW-power cable, R6 for 4.00 m		160.H040.1	1511
40			160.H378.1	1511
40	Bikox® LW-power cable, R6 for 5.00 m		160.H041.1	1511
40			160.H436.1	1511
40			160.H371.1	1511
40			160.H372.1	1511
40			160.H437.1	1511
40			160.H373.1	1511
40			160.H438.1	1511
40.1	Hexagon nut M10x1	10 Pcs.	001.0009	9010
44	Trigger wire connector	20 Pcs.	175.0022	9010
45	Insulating sleeve	20 Pcs.	400.0119	1095
46	Plug	20 Pcs.	175.0004	9010
54			400.D518.1	1595
54.1	Cable support ABIMIG® A T LW (short)		400.D574.1	1595
54.1			400.D501.1	1595

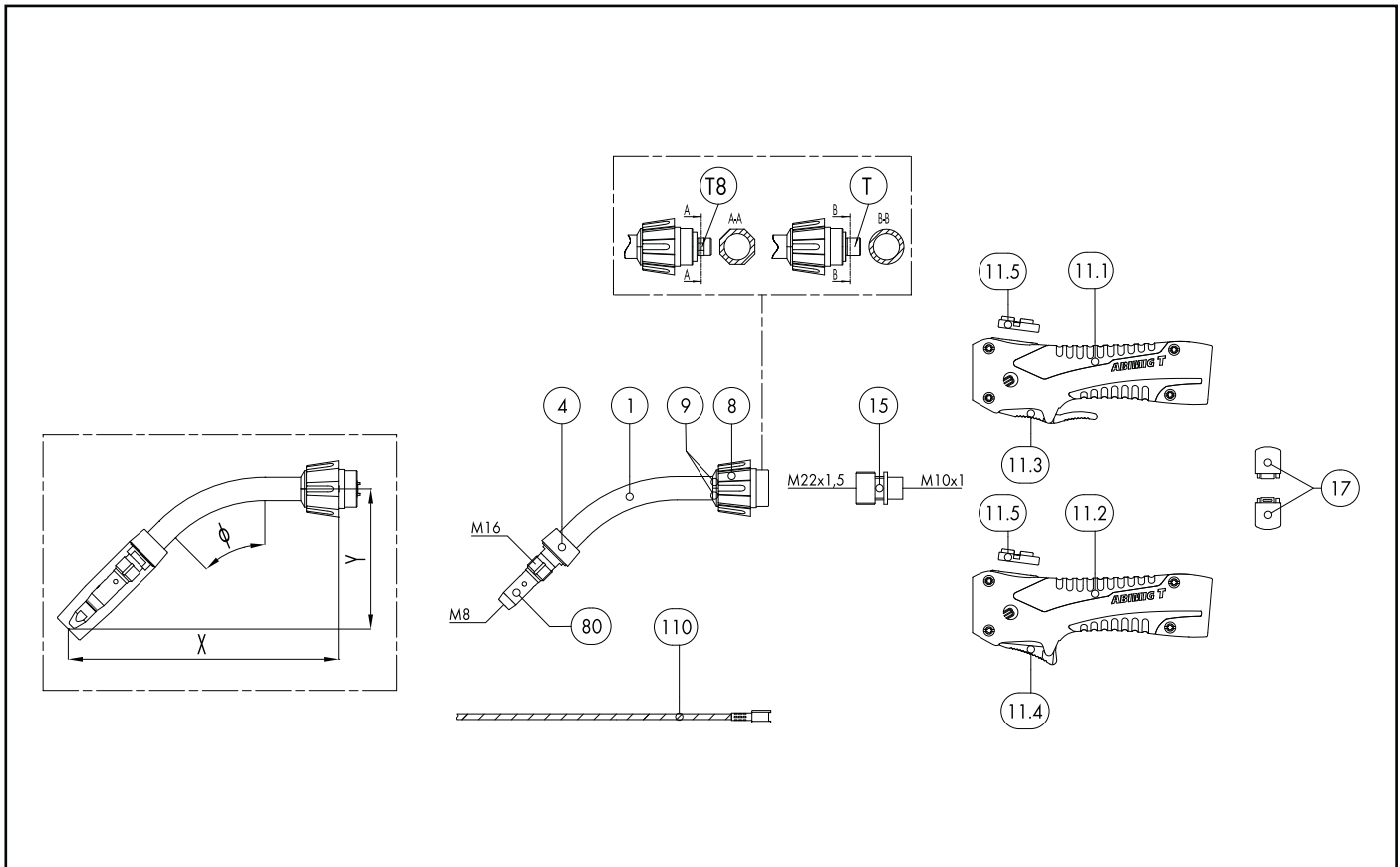
MIG/MAG Welding Torches ABIMIG® A T 305 LW

Pos.	Description	Units	Part-No.	Product-group
56	Cable support machine side		501.2248	9010
56.1			501.D578.1	1595
57	Pan head screw M4x6	20 Pcs.	000.0552	9010
57.1	Screw cap 1	20 Pcs.	500.0251	9010
58	Adaptor nut M33x2		500.0213	9010
59	Central adaptor KZ-2		501.0003	1095
60	Coupling nut M10x1, plastic	5 Pcs.	501.D536.5	1595
61	O-Ring 4x1	20 Pcs.	165.0002	9010
62	Trigger wire connector; female	20 Pcs.	175.0003	9010
74			175.D098	1595
74.1			110.D023	1595
	Wear parts			
80	Contact tip holder M16/M8/52 US	5 Pcs.	014.D745.5	1533
81	Contact tip holder D17/M8/53 for slip-on gas nozzle	5 Pcs.	014.H129.5	1533
		5 Pcs.	014.H194.5	1533
90	Contact tip M8 E-Cu; $\bar{\text{~}}$ 0.8 (10x30)	10 Pcs.	140.0114	1030
90	Contact tip M8 E-Cu; $\bar{\text{~}}$ 1.0 (10x30)	10 Pcs.	140.0313	1030
90	Contact tip M8 E-Cu; $\bar{\text{~}}$ 1.2 (10x30)	10 Pcs.	140.0442	1030
90	Contact tip M8 E-Cu; $\bar{\text{~}}$ 1.4 (10x30)	10 Pcs.	140.0533	1030
90	Contact tip M8 E-Cu; $\bar{\text{~}}$ 1.6 (10x30)	10 Pcs.	140.0587	1030
90	Contact tip M8 CuCrZr; $\bar{\text{~}}$ 0.8 (10x30)	10 Pcs.	140.0117	1031
90	Contact tip M8 CuCrZr; $\bar{\text{~}}$ 1.0 (10x30)	10 Pcs.	140.0316	1031
90	Contact tip M8 CuCrZr; $\bar{\text{~}}$ 1.2 (10x30)	10 Pcs.	140.0445	1031
90	Contact tip M8 CuCrZr; $\bar{\text{~}}$ 1.4 (10x30)	10 Pcs.	140.0536	1031
90	Contact tip M8 CuCrZr; $\bar{\text{~}}$ 1.6 (10x30)	10 Pcs.	140.0590	1031
90	Contact tip M8 E-Cu; $\bar{\text{~}}$ 0.8 for alu wire (10x30)	10 Pcs.	141.0003	1030
90	Contact tip M8 E-Cu; $\bar{\text{~}}$ 1.0 for alu wire (10x30)	10 Pcs.	141.0008	1030
90	Contact tip M8 E-Cu; $\bar{\text{~}}$ 1.2 for alu wire (10x30)	10 Pcs.	141.0015	1030
90	Contact tip M8 E-Cu; $\bar{\text{~}}$ 1.4 for alu wire (10x30)	10 Pcs.	141.0055	1030
90	Contact tip M8 E-Cu; $\bar{\text{~}}$ 1.6 for alu wire (10x30)	10 Pcs.	141.0022	1030
90	Contact tip M8 CuCrZr silver-plated; $\bar{\text{~}}$ 0.8 (10x30)	10 Pcs.	147.0117	1031
90	Contact tip M8 CuCrZr silver-plated; $\bar{\text{~}}$ 1.0 (10x30)	10 Pcs.	147.0316	1031
90	Contact tip M8 CuCrZr silver-plated; $\bar{\text{~}}$ 1.2 (10x30)	10 Pcs.	147.0445	1031
90	Contact tip M8 CuCrZr silver-plated; $\bar{\text{~}}$ 1.4 (10x30)	10 Pcs.	147.0536	1031
90	Contact tip M8 CuCrZr silver-plated; $\bar{\text{~}}$ 1.6 (10x30)	10 Pcs.	147.0590	1031
90		10 Pcs.	147.5316	5038
90		10 Pcs.	147.5445	5038
90		10 Pcs.	147.5536	5038
90		10 Pcs.	147.5590	5038
100	Gas nozzle M16; ND 18; galvanized; conical L=72 mm	5 Pcs.	145.D021	1537
100	Gas nozzle M16; ND 18 blank; with extended insulation	5 Pcs.	145.D194	1537
	Gas nozzle M16; ND 16 galvanized; conical L=69 mm	5 Pcs.	145.D022	1537
		5 Pcs.	145.D023	1537
		5 Pcs.	145.D026	1537
		5 Pcs.	145.D036	1537
	Gas nozzle M16; ND 15 blank; with extended insulation	5 Pcs.	145.D217	1537
		5 Pcs.	145.D025	1537
		5 Pcs.	145.D267	1537
102	Gas nozzle M16; ND 21 galvanized; cylindrical	5 Pcs.	145.D024	1537
102		5 Pcs.	145.D353	1537

MIG/MAG Welding Torches ABIMIG® A T 305 LW

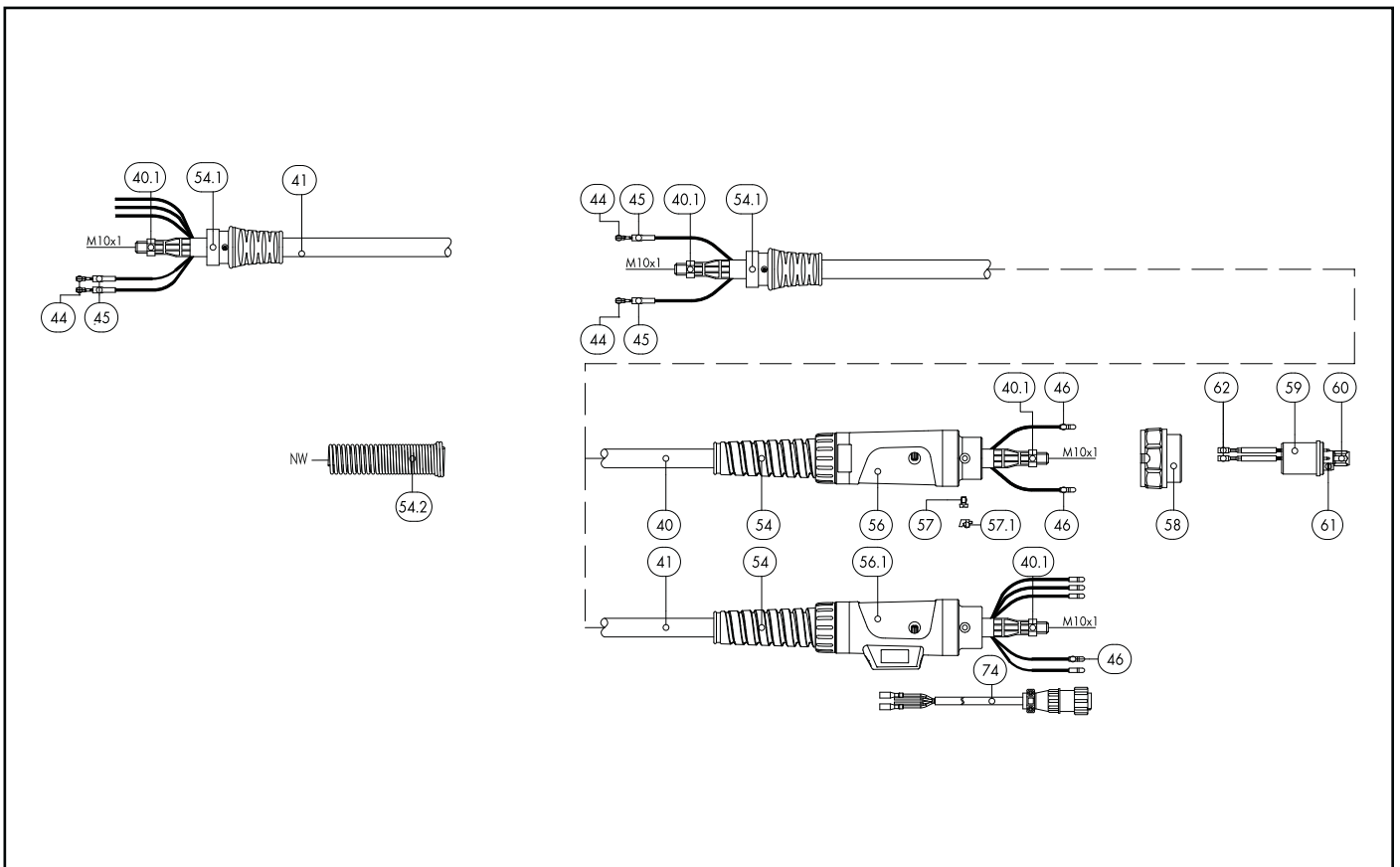
Pos.	Description	Units	Part-No.	Product-group
103	Gas nozzle (slip-on) D15; ND 16 galvanized	5 Pcs.	145.D378.5	1537
		5 Pcs.	145.D438.5	1537
		5 Pcs.	145.D439.5	1537
104			145.D028	1537
110	Neck liner 1.5; for wire $\bar{\text{~}}$ 0.6 - 1.0; for ABIMIG® T-Line		122.D037	1534
110	Neck liner 2.0; for wire $\bar{\text{~}}$ 1.0 - 1.2; for ABIMIG® T-Line		122.D038	1534
110	Neck liner 2.5; for wire $\bar{\text{~}}$ 1.2 - 1.4; for ABIMIG® T-Line		122.D039	1534
110	Neck liner 1.6; brass; for wire $\bar{\text{~}}$ 0.6 - 1.0; for ABIMIG® T-Line		122.D040	1534
110	Neck liner 2.2; brass; for wire $\bar{\text{~}}$ 1.0 - 1.4; for ABIMIG® T-Line		122.D041	1534
120	Guide spiral liner insulated; 1.5/4.5; blue; for wire $\bar{\text{~}}$ 0.6 - 0.8; for 3.00 m		124.0011	1034
120	Guide spiral liner insulated; 1.5/4.5; blue; for wire $\bar{\text{~}}$ 0.6 - 0.8; for 4.00 m		124.0012	1034
120	Guide spiral liner insulated; 1.5/4.5; blue; for wire $\bar{\text{~}}$ 0.6 - 0.8; for 5.00 m		124.0015	1034
120			124.0016	1034
120	Guide spiral liner insulated; 2.0/4.5; red; for wire $\bar{\text{~}}$ 1.0 - 1.2; for 3.00 m		124.0026	1034
120	Guide spiral liner insulated; 2.0/4.5; red; for wire $\bar{\text{~}}$ 1.0 - 1.2; for 4.00 m		124.0031	1034
120	Guide spiral liner insulated; 2.0/4.5; red; for wire $\bar{\text{~}}$ 1.0 - 1.2; for 5.00 m		124.0035	1034
120			124.0036	1034
120	Guide spiral liner insulated; 2.5/4.5; yellow; for wire $\bar{\text{~}}$ 1.4 - 1.6; for 3.00 m		124.0041	1034
120	Guide spiral liner insulated; 2.5/4.5; yellow; for wire $\bar{\text{~}}$ 1.4 - 1.6; for 4.00 m		124.0042	1034
120	Guide spiral liner insulated; 2.5/4.5; yellow; for wire $\bar{\text{~}}$ 1.4 - 1.6; for 5.00 m		124.0044	1034
120			124.0045	1034
130	PTFE core liner 1.5/4.0; blue; wire electrode $\bar{\text{~}}$ 0.8 - 1.0; for 3.00 m		126.0005	1034
130	PTFE core liner 1.5/4.0; blue; wire electrode $\bar{\text{~}}$ 0.8 - 1.0; for 4.00 m		126.0008	1034
130	PTFE core liner 1.5/4.0; blue; wire electrode $\bar{\text{~}}$ 0.8 - 1.0; for 5.00 m		126.0011	1034
130	PTFE core liner 1.5/4.0; blue; wire electrode $\bar{\text{~}}$ 0.6 - 1.0; for 8.00 m		126.0013	1034
130	PTFE core liner 2.0/4.0; red; wire electrode $\bar{\text{~}}$ 1.0 - 1.2; for 3.00 m		126.0021	1034
130	PTFE core liner 2.0/4.0; red; wire electrode $\bar{\text{~}}$ 1.0 - 1.2; for 4.00 m		126.0026	1034
130	PTFE core liner 2.0/4.0; red; wire electrode $\bar{\text{~}}$ 1.0 - 1.2; for 5.00 m		126.0028	1034
130	PTFE core liner 2.0/4.0; red; wire electrode $\bar{\text{~}}$ 0.8 - 1.2; for 8.00 m		126.0030	1034
130	PTFE carbon core liner 1.5/4.0; wire electrode $\bar{\text{~}}$ 0.8 - 1.0; for 3.00 m		127.0002	1034
130	PTFE carbon core liner 1.5/4.0; wire electrode $\bar{\text{~}}$ 0.8 - 1.0; for 4.00 m		127.0003	1034
130	PTFE carbon core liner 1.5/4.0; wire electrode $\bar{\text{~}}$ 0.8 - 1.0; for 5.00 m		127.0004	1034
130	PTFE carbon core liner 1.5/4.0; wire electrode $\bar{\text{~}}$ 0.6 - 1.0; for 8.00 m		127.0015	1034
130	PTFE carbon core liner 2.0/4.0; wire electrode $\bar{\text{~}}$ 1.0 - 1.2; for 3.00 m		127.0005	1034
130	PTFE carbon core liner 2.0/4.0; wire electrode $\bar{\text{~}}$ 1.0 - 1.2; for 4.00 m		127.0007	1034
130	PTFE carbon core liner 2.0/4.0; wire electrode $\bar{\text{~}}$ 1.0 - 1.2; for 5.00 m		127.0008	1034
130	PTFE carbon core liner 2.0/4.0; wire electrode $\bar{\text{~}}$ 0.8 - 1.2; for 8.00 m		127.0009	1034
131	Nipple for core liner at $\bar{\text{~}}$ 4.0	20 Pcs.	131.0001	1095
132	O-Ring 3.5x1.5	20 Pcs.	165.0008	9010
133	Guide tube for core liners up to $\bar{\text{~}}$ 4.0 (200 mm)	10 Pcs.	129.0461	1095
200	Spanner for ABIMIG®		191.D045	1595

MIG/MAG Welding Torches ABIMIG® A T 355 LW



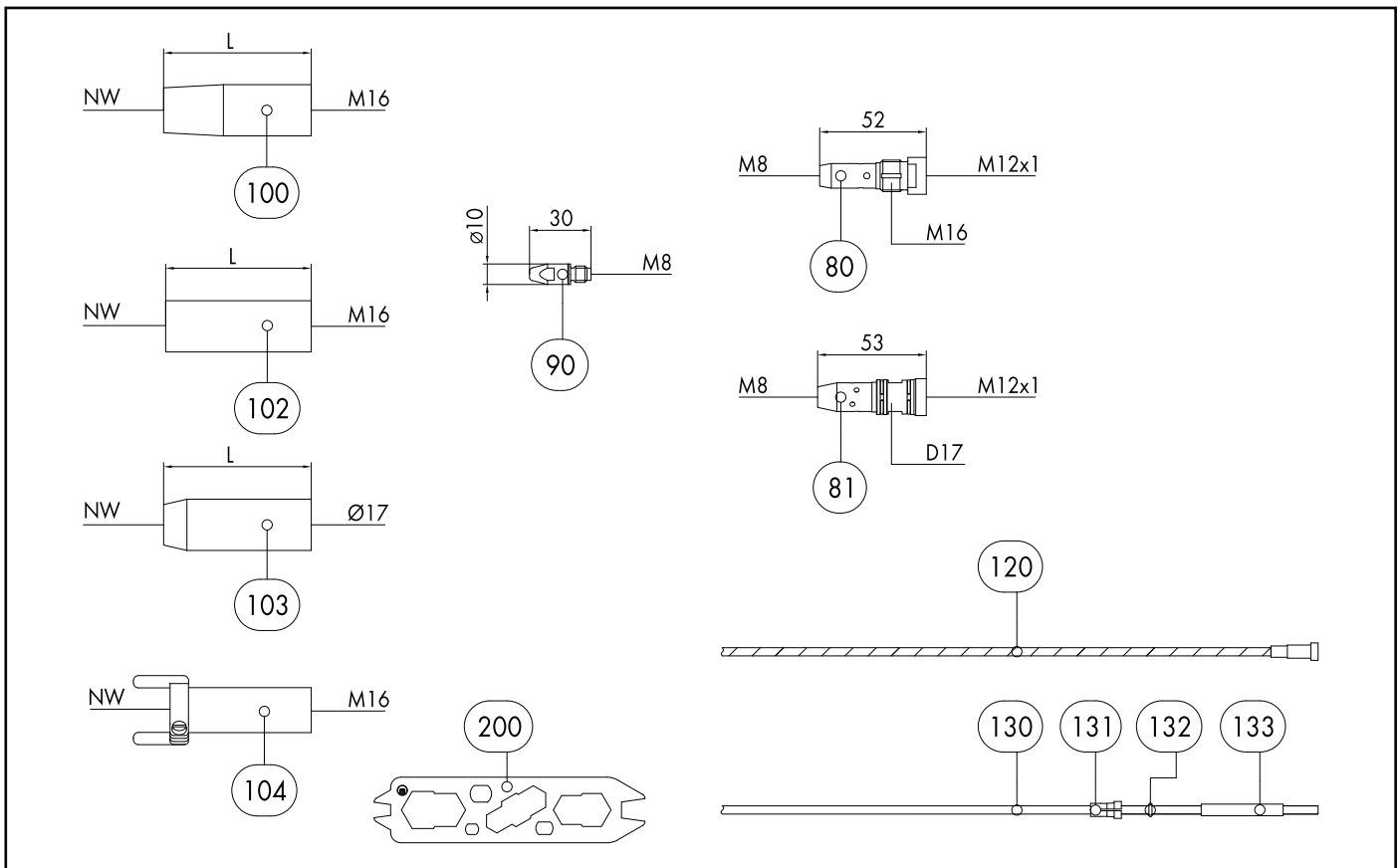
Pos.	Description	Units	Part-No.	Product-group
	Basic torch (complete)			
	ABIMIG® A T 355 LW; TM45j; central adaptor KZ-2; 3.00 m		014.H390.1	1324
	ABIMIG® A T 355 LW; TM45j; central adaptor KZ-2; 4.00 m		014.H391.1	1324
	ABIMIG® A T 355 LW; TM45j; central adaptor KZ-2; 5.00 m		014.H392.1	1324
	Combi torch (basic torch without neck and wear parts)			
			014.H544.1	1326
			014.H545.1	1326
			014.H546.1	1326
	Swan neck			
1	Swan neck ABIMIG® A 305 LW; 45j bent		014.H356.1	1308
1	Swan neck ABIMIG® A 355 LW; 45j bent		014.H363.1	1308
1			014.H370.1	1308
1			014.H374.1	1308
1			014.H380.1	1308
1			014.H413.1	1308
1			014.H415.1	1308
1			014.H588.1	1308
1			014.H555.1	1308
1			014.H560.1	1308
			014.H409.1	1308
			014.H387.1	1308
			014.H388.1	1308
			014.H389.1	1308
			014.H592.1	1308
			014.H594.1	1308
			014.H595.1	1308

MIG/MAG Welding Torches ABIMIG® A T 355 LW



Pos.	Description	Units	Part-No.	Product-group
			014.H596.1	1308
			014.H597.1	1308
			014.H398.1	1326
			014.H399.1	1326
			014.0469.1	1308
			014.0470.1	1308
			014.0471.1	1308
			014.0472.1	1308
			014.0473.1	1308
			014.0474.1	1308
			014.0475.1	1308
			014.0476.1	1308
			014.0477.1	1308
			014.0478.1	1308
4	Spacer	5 Pcs.	767.D668.5	1595
4		5 Pcs.	767.D898.5	1595
8			014.H279.1	1595
9		10 Pcs.	014.H282.10	1595
	Handle			
11.1	Handle ABIMIG® A T with push-button long		180.D077.1	1595
11.1	Handle ABIMIG® A T with push-button long (without module BIS-52)		180.D079.1	1595
11.2	Handle ABIMIG® A T with push-button short		180.D078.1	1595
11.2	Handle ABIMIG® A T with push-button short (without module BIS-52)		180.D080.1	1595
11.3			185.D118.1	1595
11.4			185.D120.1	1595
11.5			400.D573.1	1595

MIG/MAG Welding Torches ABIMIG® A T 355 LW



Pos.	Description	Units	Part-No.	Product-group
15			014.H354.1	1595
17	Half rings (1 pair)	2 Pcs.	400.D561.2	1595
Cable assembly				
40	Bikox® LW-power cable, R7 for 3.00 m		160.H046.1	1511
40	Bikox® LW-power cable, R7 for 4.00 m		160.H047.1	1511
40			160.H248.1	1511
40	Bikox® LW-power cable, R7 for 5.00 m		160.H048.1	1511
40			160.H397.1	1511
40			160.H374.1	1511
40			160.H375.1	1511
40			160.H440.1	1511
40			160.H376.1	1511
40			160.H441.1	1511
40.1	Hexagon nut M10x1	10 Pcs.	001.0009	9010
44	Trigger wire connector	20 Pcs.	175.0022	9010
45	Insulating sleeve	20 Pcs.	400.0119	1095
46	Plug	20 Pcs.	175.0004	9010
54	Cable support ND 19		400.1010	1095
54.1	Cable support ABIMIG® A T LW (short)		400.D574.1	1595
54.1			400.D518.1	1595
54.1			501.D501	1595
56	Cable support machine side		501.2248	9010
57	Pan head screw M4x6	20 Pcs.	000.0552	9010
57.1	Screw cap 1	20 Pcs.	500.0251	9010
58	Adaptor nut M33x2		500.0213	9010
59	Central adaptor KZ-2		501.0003	1095

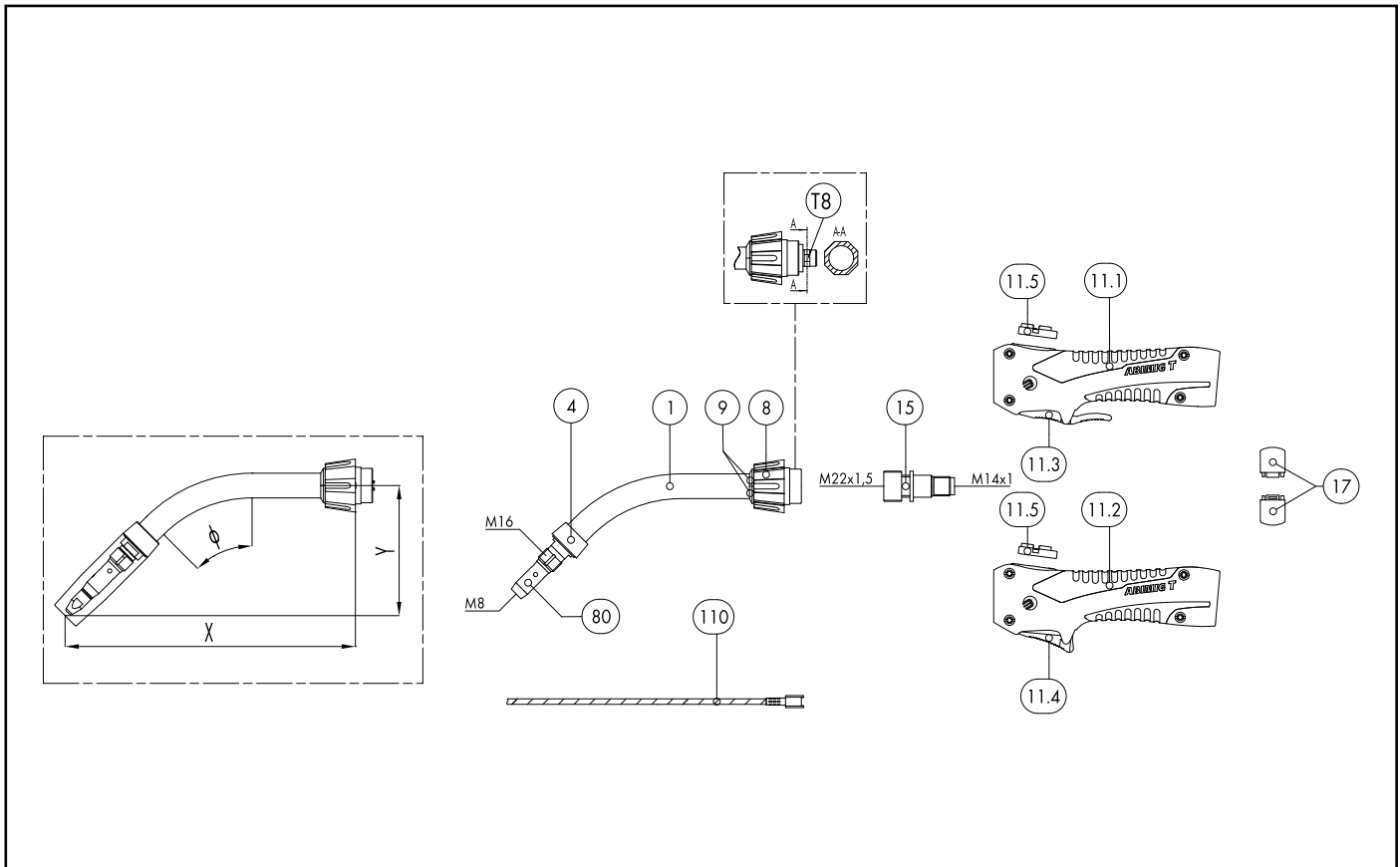
MIG/MAG Welding Torches ABIMIG® A T 355 LW

Pos.	Description	Units	Part-No.	Product-group
60	Coupling nut M10x1, plastic	5 Pcs.	501.D536.5	1595
61	O-Ring 4x1	20 Pcs.	165.0002	9010
62	Trigger wire connector; female	20 Pcs.	175.0003	9010
74			175.D098	1595
74.1			110.D023	1595
	Wear parts			
80	Contact tip holder M16/M8/52 US	5 Pcs.	014.D745.5	1533
81	Contact tip holder D17/M8/53 for slip-on gas nozzle	5 Pcs.	014.H129.5	1533
		5 Pcs.	014.H194.5	1533
90	Contact tip M8 E-Cu; $\bar{\text{~}}$ 0.8 (10x30)	10 Pcs.	140.0114	1030
90	Contact tip M8 E-Cu; $\bar{\text{~}}$ 1.0 (10x30)	10 Pcs.	140.0313	1030
90	Contact tip M8 E-Cu; $\bar{\text{~}}$ 1.2 (10x30)	10 Pcs.	140.0442	1030
90	Contact tip M8 E-Cu; $\bar{\text{~}}$ 1.4 (10x30)	10 Pcs.	140.0533	1030
90	Contact tip M8 E-Cu; $\bar{\text{~}}$ 1.6 (10x30)	10 Pcs.	140.0587	1030
90	Contact tip M8 CuCrZr; $\bar{\text{~}}$ 0.8 (10x30)	10 Pcs.	140.0117	1031
90	Contact tip M8 CuCrZr; $\bar{\text{~}}$ 1.0 (10x30)	10 Pcs.	140.0316	1031
90	Contact tip M8 CuCrZr; $\bar{\text{~}}$ 1.2 (10x30)	10 Pcs.	140.0445	1031
90	Contact tip M8 CuCrZr; $\bar{\text{~}}$ 1.4 (10x30)	10 Pcs.	140.0536	1031
90	Contact tip M8 CuCrZr; $\bar{\text{~}}$ 1.6 (10x30)	10 Pcs.	140.0590	1031
90	Contact tip M8 E-Cu; $\bar{\text{~}}$ 0.8 for alu wire (10x30)	10 Pcs.	141.0003	1030
90	Contact tip M8 E-Cu; $\bar{\text{~}}$ 1.0 for alu wire (10x30)	10 Pcs.	141.0008	1030
90	Contact tip M8 E-Cu; $\bar{\text{~}}$ 1.2 for alu wire (10x30)	10 Pcs.	141.0015	1030
90	Contact tip M8 E-Cu; $\bar{\text{~}}$ 1.4 for alu wire (10x30)	10 Pcs.	141.0055	1030
90	Contact tip M8 E-Cu; $\bar{\text{~}}$ 1.6 for alu wire (10x30)	10 Pcs.	141.0022	1030
90	Contact tip M8 CuCrZr silver-plated; $\bar{\text{~}}$ 0.8 (10x30)	10 Pcs.	147.0117	1031
90	Contact tip M8 CuCrZr silver-plated; $\bar{\text{~}}$ 1.0 (10x30)	10 Pcs.	147.0316	1031
90	Contact tip M8 CuCrZr silver-plated; $\bar{\text{~}}$ 1.2 (10x30)	10 Pcs.	147.0445	1031
90	Contact tip M8 CuCrZr silver-plated; $\bar{\text{~}}$ 1.4 (10x30)	10 Pcs.	147.0536	1031
90	Contact tip M8 CuCrZr silver-plated; $\bar{\text{~}}$ 1.6 (10x30)	10 Pcs.	147.0590	1031
90		10 Pcs.	147.5316	5038
90		10 Pcs.	147.5445	5038
90		10 Pcs.	147.5536	5038
90		10 Pcs.	147.5590	5038
100	Gas nozzle M16; ND 18; galvanized; conical L=72 mm	5 Pcs.	145.D021	1537
100	Gas nozzle M16; ND 18 blank; with extended insulation	5 Pcs.	145.D194	1537
	Gas nozzle M16; ND 16 galvanized; conical L=69 mm	5 Pcs.	145.D022	1537
		5 Pcs.	145.D023	1537
		5 Pcs.	145.D026	1537
	Gas nozzle M16; ND 15 blank; with extended insulation	5 Pcs.	145.D217	1537
		5 Pcs.	145.D025	1537
		5 Pcs.	145.D267	1537
102	Gas nozzle M16; ND 21 galvanized; cylindrical	5 Pcs.	145.D024	1537
102		5 Pcs.	145.D353	1537
103	Gas nozzle (slip-on) D15; ND 16 galvanized	5 Pcs.	145.D378.5	1537
103		5 Pcs.	145.D439.5	1537
103		5 Pcs.	145.D438.5	1537
104			145.D028	1537
110	Neck liner 2.0; for wire $\bar{\text{~}}$ 1.0 - 1.2; for ABIMIG® T-Line		122.D038	1534
110	Neck liner 2.5; for wire $\bar{\text{~}}$ 1.2 - 1.4; for ABIMIG® T-Line		122.D039	1534
110	Neck liner 2.7; for wire $\bar{\text{~}}$ 1.2 - 1.6; for ABIMIG® T-Line		122.D045	1534

MIG/MAG Welding Torches ABIMIG® A T 355 LW

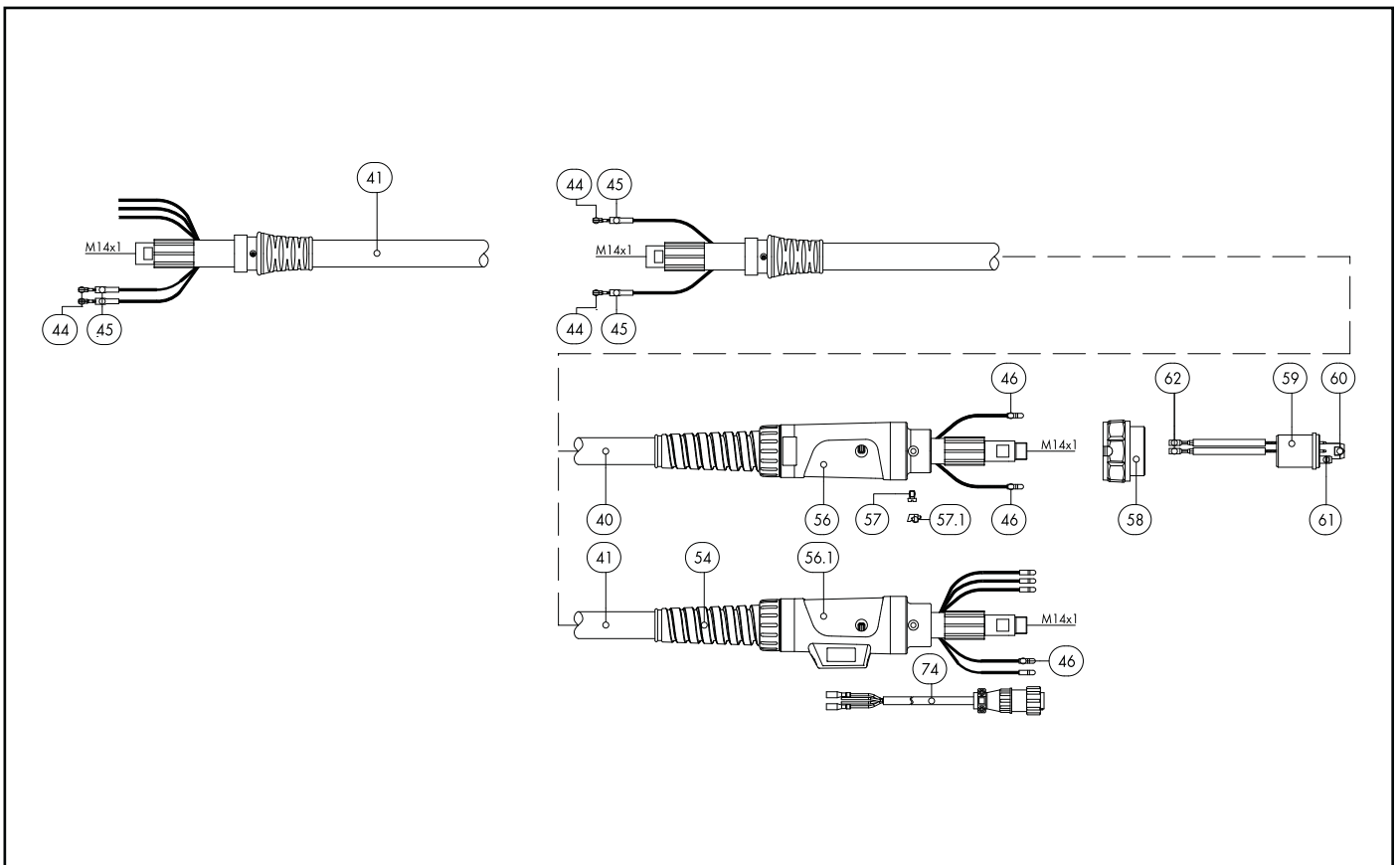
Pos.	Description	Units	Part-No.	Product-group
110	Neck liner 1.6; brass; for wire 0.6 - 1.0; for ABIMIG® T-Line		122.D040	1534
110	Neck liner 2.2; brass; for wire 1.0 - 1.4; for ABIMIG® T-Line		122.D041	1534
120	Guide spiral liner insulated; 2.0/4.5; red; for wire 1.0 - 1.2; for 3.00 m		124.0026	1034
120	Guide spiral liner insulated; 2.0/4.5; red; for wire 1.0 - 1.2; for 4.00 m		124.0031	1034
120	Guide spiral liner insulated; 2.0/4.5; red; for wire 1.0 - 1.2; for 5.00 m		124.0035	1034
120			124.0036	1034
120	Guide spiral liner insulated; 2.5/4.5; yellow; for wire 1.4 - 1.6; for 3.00 m		124.0041	1034
120	Guide spiral liner insulated; 2.5/4.5; yellow; for wire 1.4 - 1.6; for 4.00 m		124.0042	1034
120	Guide spiral liner insulated; 2.5/4.5; yellow; for wire 1.4 - 1.6; for 5.00 m		124.0044	1034
120			124.0045	1034
130	PTFE core liner 2.0/4.0; red; wire electrode 1.0 - 1.2; for 3.00 m		126.0021	1034
130	PTFE core liner 2.0/4.0; red; wire electrode 1.0 - 1.2; for 4.00 m		126.0026	1034
130	PTFE core liner 2.0/4.0; red; wire electrode 1.0 - 1.2; for 5.00 m		126.0028	1034
130	PTFE core liner 2.0/4.0; red; wire electrode 0.8 - 1.2; for 8.00 m		126.0030	1034
130	PTFE core liner 2.7/4.7; yellow; wire electrode 1.6; for 3.00 m		126.0039	1034
130	PTFE core liner 2.7/4.7; yellow; wire electrode 1.6; for 4.00 m		126.0042	1034
130	PTFE core liner 2.7/4.7; yellow; wire electrode 1.6; for 5.00 m		126.0045	1034
130	PTFE core liner 2.7/4.7; yellow; wire electrode 1.4 - 1.6; for 8.00 m		126.0047	1034
130	PTFE carbon core liner 2.0/4.0; wire electrode 1.0 - 1.2; for 3.00 m		127.0005	1034
130	PTFE carbon core liner 2.0/4.0; wire electrode 1.0 - 1.2; for 4.00 m		127.0007	1034
130	PTFE carbon core liner 2.0/4.0; wire electrode 1.0 - 1.2; for 5.00 m		127.0008	1034
130	PTFE carbon core liner 2.0/4.0; wire electrode 0.8 - 1.2; for 8.00 m		127.0009	1034
130	PTFE carbon core liner 2.7/4.7; wire electrode 1.6; for 3.00 m		127.0010	1034
130	PTFE carbon core liner 2.7/4.7; wire electrode 1.6; for 4.00 m		127.0012	1034
130	PTFE carbon core liner 2.7/4.7; wire electrode 1.6; for 5.00 m		127.0013	1034
130	PTFE carbon core liner 2.7/4.7; wire electrode 1.4 - 1.6; for 8.00 m		127.0014	1034
131	Nipple for core liner at 4.0	20 Pcs.	131.0001	1095
131	Nipple for core liner at 4.7	20 Pcs.	131.0002	1095
132	O-Ring 3.5x1.5	20 Pcs.	165.0008	9010
133	Guide tube for core liners up to 4.0 (200 mm)	10 Pcs.	129.0461	1095
200	Spanner for ABIMIG®		191.D045	1595

MIG/MAG Welding Torches ABIMIG® A T 405 LW



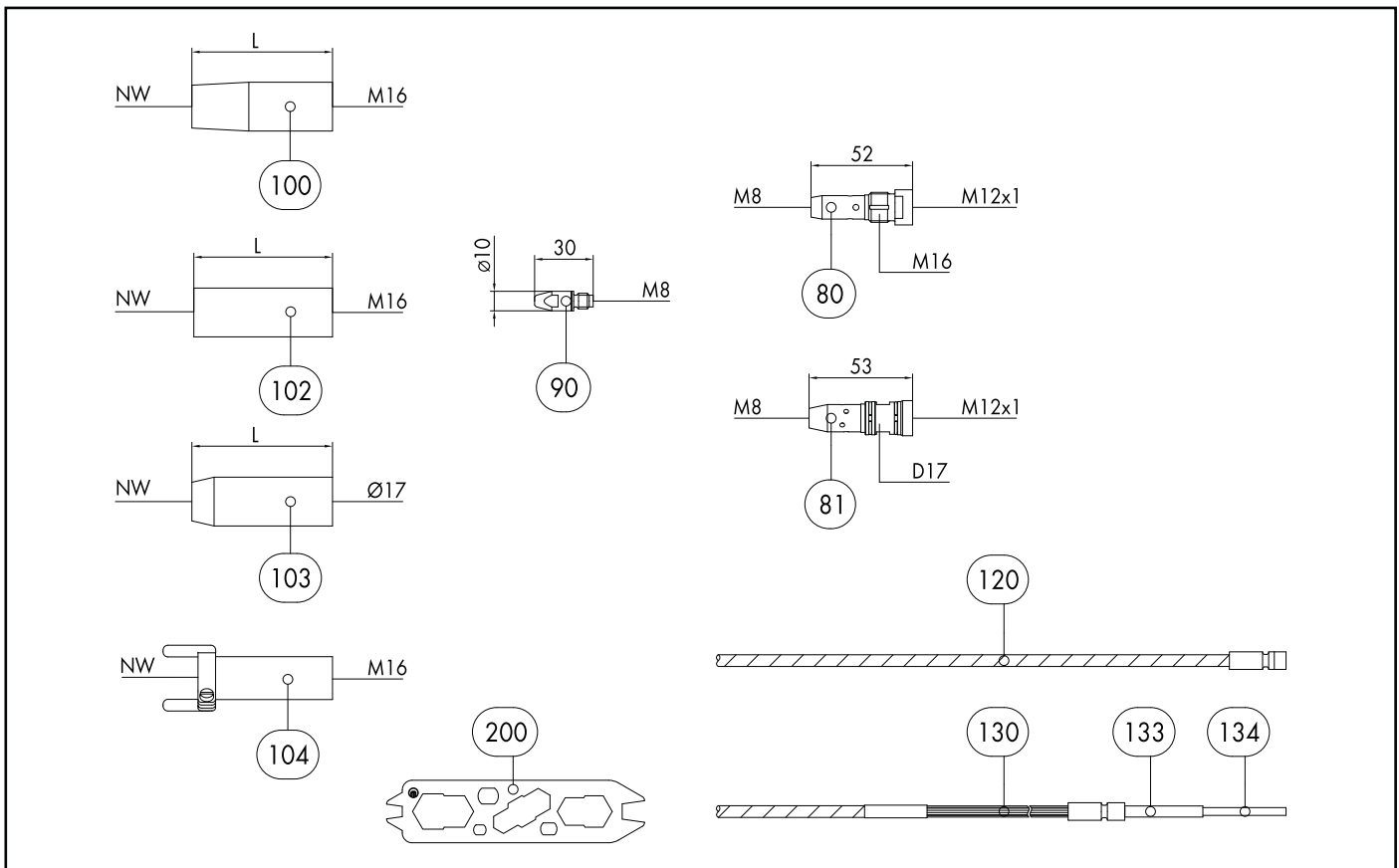
Pos.	Description	Units	Part-No.	Product-group
Basic torch (complete)				
	ABIMIG® A T 405 LW; T8M45j; central adaptor KZ-2; 3.00 m		015.D070.1	1324
	ABIMIG® A T 405 LW; T8M45j; central adaptor KZ-2; 4.00 m		015.D071.1	1324
	ABIMIG® A T 405 LW; T8M45j; central adaptor KZ-2; 5.00 m		015.D072.1	1324
Combi torch (basic torch without neck and wear parts)				
			015.D114.1	1326
			015.D115.1	1326
			015.D116.1	1326
Swan neck				
1	Swan neck ABIMIG® A 405 LW; 45j bent		015.D082.1	1308
1			015.D117.1	1308
			015.D089.1	1308
			015.D123.1	1308
			015.0088.1	1308
			015.0089.1	1308
4	Head insulation	5 Pcs.	015.D080.5	1595
4		5 Pcs.	015.D081.5	1595
8			014.H279.1	1595
9		10 Pcs.	014.H283.10	1595
Handle				
11.1	Handle ABIMIG® A T with push-button long		180.D077.1	1595
11.1	Handle ABIMIG® A T with push-button long (without module BIS-52)		180.D079.1	1595
11.2	Handle ABIMIG® A T with push-button short		180.D078.1	1595
11.2	Handle ABIMIG® A T with push-button short (without module BIS-52)		180.D080.1	1595
11.3			185.D118.1	1595
11.4			185.D120.1	1595

MIG/MAG Welding Torches ABIMIG® A T 405 LW



Pos.	Description	Units	Part-No.	Product-group
11.5			400.D573.1	1595
15			016.D392.1	1595
17	Half rings (1 pair)	2 Pcs.	400.D561.2	1595
Cable assembly				
40	Bikox® LW-power cable, R9 for 3.00 m		160.H344.1	1511
40	Bikox® LW-power cable, R9 for 4.00 m		160.H345.1	1511
40			160.H377.1	1511
40	Bikox® LW-power cable, R9 for 5.00 m		160.H346.1	1511
40			160.H442.1	1511
40			160.H347.1	1511
40			160.H348.1	1511
40			160.H443.1	1511
40			160.H349.1	1511
40			160.H444.1	1511
44	Trigger wire connector	20 Pcs.	175.0022	9010
45	Insulating sleeve	20 Pcs.	400.0119	1095
46	Plug	20 Pcs.	175.0004	9010
54			400.D518.1	1595
54.1	Cable support ABIMIG® A T LW (short)		400.D574.1	1595
54.1			400.D518.1	1595
54.1			400.D501.1	1595
56	Cable support machine side		501.2248	9010
56.1			501.D578.1	1595
57	Pan head screw M4x6	20 Pcs.	000.0552	9010
57.1	Screw cap 1	20 Pcs.	500.0251	9010
58	Adaptor nut M33x2		500.0213	9010

MIG/MAG Welding Torches ABIMIG® A T 405 LW



Pos.	Description	Units	Part-No.	Product-group
59			501.D687.1	1595
60	Coupling nut M14x1, plastic	5 Pcs.	501.D537.5	1595
61	O-Ring 4x1	20 Pcs.	165.0002	9010
62	Trigger wire connector; female	20 Pcs.	175.0003	9010
74			175.D098	1595
74.1			110.D023	1595
	Wear parts			
80	Contact tip holder M16/M8/52 US	5 Pcs.	014.D745.5	1533
81	Contact tip holder D17/M8/53 for slip-on gas nozzle	5 Pcs.	014.H129.5	1533
		5 Pcs.	014.H194.5	1533
90	Contact tip M8 E-Cu; ~ 1.0 (10x30)	10 Pcs.	140.0313	1030
90	Contact tip M8 E-Cu; ~ 1.2 (10x30)	10 Pcs.	140.0442	1030
90	Contact tip M8 E-Cu; ~ 1.4 (10x30)	10 Pcs.	140.0533	1030
90	Contact tip M8 E-Cu; ~ 1.6 (10x30)	10 Pcs.	140.0587	1030
90	Contact tip M8 E-Cu; ~ 2.0 (10x30)	10 Pcs.	140.0653	1030
90	Contact tip M8 E-Cu; ~ 2.4 (10x30)	10 Pcs.	140.0677	1030
90	Contact tip M8 CuCrZr; ~ 1.0 (10x30)	10 Pcs.	140.0316	1031
90	Contact tip M8 CuCrZr; ~ 1.2 (10x30)	10 Pcs.	140.0445	1031
90	Contact tip M8 CuCrZr; ~ 1.4 (10x30)	10 Pcs.	140.0536	1031
90	Contact tip M8 CuCrZr; ~ 1.6 (10x30)	10 Pcs.	140.0590	1031
90	Contact tip M8 CuCrZr; ~ 2.0 (10x30)	10 Pcs.	140.0656	1031
90	Contact tip M8 CuCrZr; ~ 2.4 (10x30)	10 Pcs.	140.0679	1031
90	Contact tip M8 E-Cu; ~ 1.0 for alu wire (10x30)	10 Pcs.	141.0008	1030
90	Contact tip M8 E-Cu; ~ 1.2 for alu wire (10x30)	10 Pcs.	141.0015	1030
90	Contact tip M8 E-Cu; ~ 1.4 for alu wire (10x30)	10 Pcs.	141.0055	1030
90	Contact tip M8 E-Cu; ~ 1.6 for alu wire (10x30)	10 Pcs.	141.0022	1030

MIG/MAG Welding Torches ABIMIG® A T 405 LW

Pos.	Description	Units	Part-No.	Product-group
90	Contact tip M8 E-Cu; $\bar{\tau}$ 2.0 for alu wire (10x30)	10 Pcs.	141.0033	1030
90		10 Pcs.	141.0035	1030
90	Contact tip M8 CuCrZr silver-plated; $\bar{\tau}$ 1.0 (10x30)	10 Pcs.	147.0316	1031
90	Contact tip M8 CuCrZr silver-plated; $\bar{\tau}$ 1.2 (10x30)	10 Pcs.	147.0445	1031
90	Contact tip M8 CuCrZr silver-plated; $\bar{\tau}$ 1.4 (10x30)	10 Pcs.	147.0536	1031
90	Contact tip M8 CuCrZr silver-plated; $\bar{\tau}$ 1.6 (10x30)	10 Pcs.	147.0590	1031
90		10 Pcs.	147.0656	1031
90		10 Pcs.	147.0679	1031
90		10 Pcs.	147.5316	5038
90		10 Pcs.	147.5445	5038
90		10 Pcs.	147.5536	5038
90		10 Pcs.	147.5590	5038
100	Gas nozzle M16; ND 18; galvanized; conical L=72 mm	5 Pcs.	145.D021	1537
100	Gas nozzle M16; ND 18 blank; with extended insulation	5 Pcs.	145.D194	1537
	Gas nozzle M16; ND 16 galvanized; conical L=69 mm	5 Pcs.	145.D022	1537
		5 Pcs.	145.D023	1537
		5 Pcs.	145.D026	1537
		5 Pcs.	145.D036	1537
	Gas nozzle M16; ND 15 blank; with extended insulation	5 Pcs.	145.D217	1537
		5 Pcs.	145.D025	1537
		5 Pcs.	145.D267	1537
102	Gas nozzle M16; ND 21 galvanized; cylindrical	5 Pcs.	145.D024	1537
102		5 Pcs.	145.D353	1537
103	Gas nozzle (slip-on) D15; ND 16 galvanized	5 Pcs.	145.D378.5	1537
103		5 Pcs.	145.D439.5	1537
103		5 Pcs.	145.D438.5	1537
104			145.D028	1537
110	Neck liner 1.9; for wire $\bar{\tau}$ 1.0 - 1.2; for ABIMIG® T-Line		122.D077	1534
110	Neck liner 2.2; for wire $\bar{\tau}$ 1.4 - 1.6; for ABIMIG® T-Line		122.D078	1534
120	Guide spiral liner insulated; 1.9/5.5; red; for wire $\bar{\tau}$ 1.0 - 1.2; for 3.00 m		124.D113	1534
120	Guide spiral liner insulated; 1.9/5.5; red; for wire $\bar{\tau}$ 1.0 - 1.2; for 4.00 m		124.D114	1534
120	Guide spiral liner insulated; 1.9/5.5; red; for wire $\bar{\tau}$ 1.0 - 1.2; for 5.00 m		124.D115	1534
120			124.D156.1	1534
120	Guide spiral liner insulated; 2.2/6.0; white; for wire $\bar{\tau}$ 1.4 - 1.6; for 3.00 m		124.D116	1534
120	Guide spiral liner insulated; 2.2/6.0; white; for wire $\bar{\tau}$ 1.4 - 1.6; for 4.00 m		124.D117	1534
120	Guide spiral liner insulated; 2.2/6.0; white; for wire $\bar{\tau}$ 1.4 - 1.6; for 5.00 m		124.D118	1534
120			124.D144.1	1534
120	Guide spiral liner insulated; 3.0/6.4; blue; for wire $\bar{\tau}$ 2.0 - 2.4; for 3.00 m		124.D119	1534
120	Guide spiral liner insulated; 3.0/6.4; blue; for wire $\bar{\tau}$ 2.0 - 2.4; for 4.00 m		124.D120	1534
120	Guide spiral liner insulated; 3.0/6.4; blue; for wire $\bar{\tau}$ 2.0 - 2.4; for 5.00 m		124.D121	1534
120			124.D157.1	1534
130	Combined wire guide cpl.P; wire $\bar{\tau}$ 1.0; for 3.00 m		126.D026.1	1534
130	Combined wire guide cpl.P; wire $\bar{\tau}$ 1.0; for 4.00 m		126.D027.1	1534
130	Combined wire guide cpl.P; wire $\bar{\tau}$ 1.0; for 5.00 m		126.D028.1	1534
130			126.D058.1	1534
130	Combined wire guide cpl.P; wire $\bar{\tau}$ 1.2 - 1.4; for 3.00 m		126.D029.1	1534
130	Combined wire guide cpl.P; wire $\bar{\tau}$ 1.2 - 1.4; for 4.00 m		126.D030.1	1534
130	Combined wire guide cpl.P; wire $\bar{\tau}$ 1.2 - 1.4; for 5.00 m		126.D031.1	1534
130	Combined wire guide cpl.P; wire $\bar{\tau}$ 1.0; for 4.00 m		126.D027.1	1534
133	Guide tube for core liners up to $\bar{\tau}$ 4.0 (200 mm)	10 Pcs.	129.0461	1095

